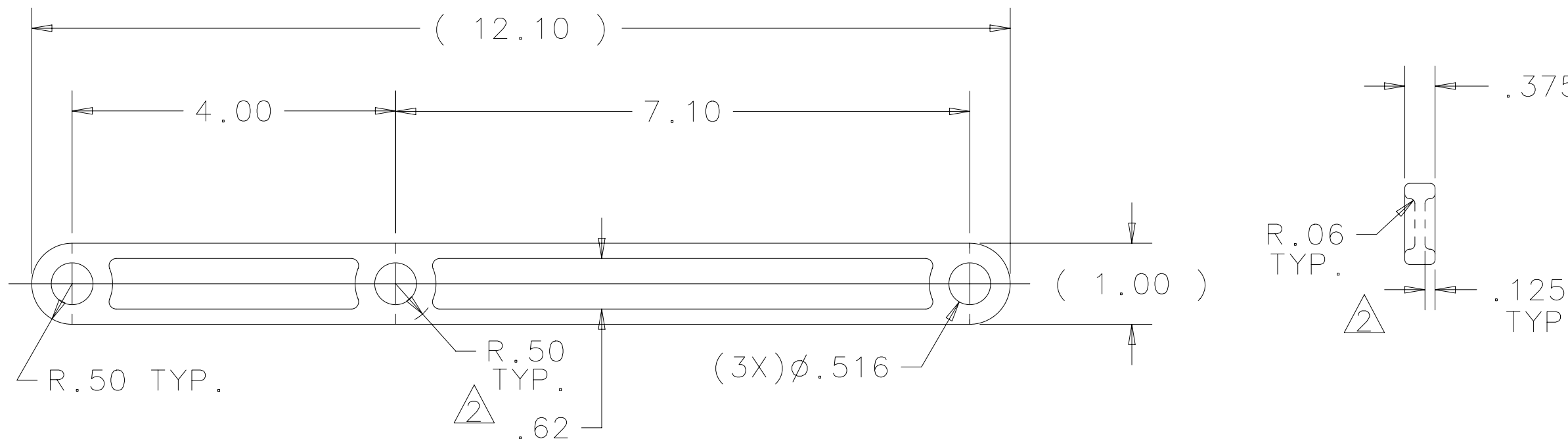
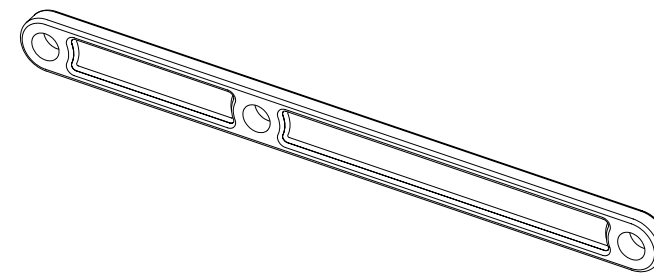


NOTES:

1. ALL RADII TO BE R.06 UNLESS OTHERWISE NOTED.

2. DIMENSIONS APPLY ONLY IF PART IS CAST (012-6050-00-0).
DISREGUARD IF PART IS CUT FROM STOCK (012-6050-01-0).



	019-6050-01-0	A36 STEEL	1" X 3/8"
	012-6050-00-0	AISI 316 STAINLESS STEEL (NON-PASSIVATED)	
ITEM NO.	PART NUMBER	MATERIAL SPECIFICATION	NOMINAL STOCK SIZE

ECO NO	REV	CHANGED FROM	BY	DATE	APVD	REPORT ERRORS & CHANGES REMOVE ALL SHARP EDGES UNLESS OTHERWISE SPECIFIED DIMENSIONS ARE IN INCHES TOLERANCE ON: DECIMALS ANGLES .XX ± .030 ± 1/2° .XXX ± .015	HALE PRODUCTS, INC. A Unit of IDEX Corporation Conshohocken, Pa 19428 USA	TITLE		
x	1	RELEASE FOR QUOTATION	MAB	12-05-06	MAL			SVS LINKAGE LEVER		
COPYRIGHT ©						NOT TO BE REPRODUCED OR USED TO MAKE OTHER DRAWINGS OR MACHINERY	SIZE	FIRST USED ON	DWG NO.	REV
							A	SVS	012-6050-00-0	1
DRAWN MAB						DATE 12-04-06	SCALE: FULL	CAD LEVELS:	SHEET of	
CHECKED MAL										