

- NOTES:
1. WEIGHT OF STANDARD QPAK PUMP AS SHOWN, LESS PRIMING PUMP = 975 LBS
 2. ● = CENTER OF GRAVITY

PUMP MODEL	GEAR RATIO	GEARBOX TYPE	DIMENSIONS	
			"A"	"B"
QPAK *-25	2.57	J GEARBOX LEFT (JL) OR RIGHT (JR) SIDE	12.50	8.61
QPAK *-23	2.35		12.60	8.72
QPAK *-21	2.08		12.78	8.90
QPAK *-18	1.80		13.00	9.13
QPAK *-16	1.64		13.18	9.32
* RATED CAPACITY (GPM) 500, 750 AND 1000				
EXAMPLE: THE MODEL NUMBER FOR A 1000 GPM RATED PUMP WITH A 2.35 GEARBOX OFFSET TO LEFT SIDE WOULD BE QPAK100-23JL				

WARNING

EXCEEDING THESE LIMITS OR FAILURE TO FOLLOW THE RECOMMENDATIONS OUTLINED ON THIS DRAWING COULD DAMAGE THE GEARBOX AND RESULT IN PERSONAL INJURY

QPAK MIDSHIP MAXIMUM PUMP PRESSURE (HYDROSTATIC & HYDRODYNAMIC) = 600 PSI
 MAXIMUM POWER INPUT FOR PUMPING = 300 HP
 MAXIMUM TORQUE ON PUMP SHAFT = 2300 LBS-FT

SEE HALE TORQUE LIMIT CHART F-72 FOR ADDITIONAL DATA

PUMP MODEL	QPAK*-25J**	QPAK*-23J**	QPAK*-21J**	QPAK*-18J**	QPAK*-16J**
MAX GEARBOX INPUT RPM	2070	2260	2550	2950	3240
* RATED CAPACITY (GPM) 500, 750 AND 1000					
** GEARBOX TYPE AND SIDE JL= J GEARBOX LEFT SIDE JR= J GEARBOX RIGHT SIDE					

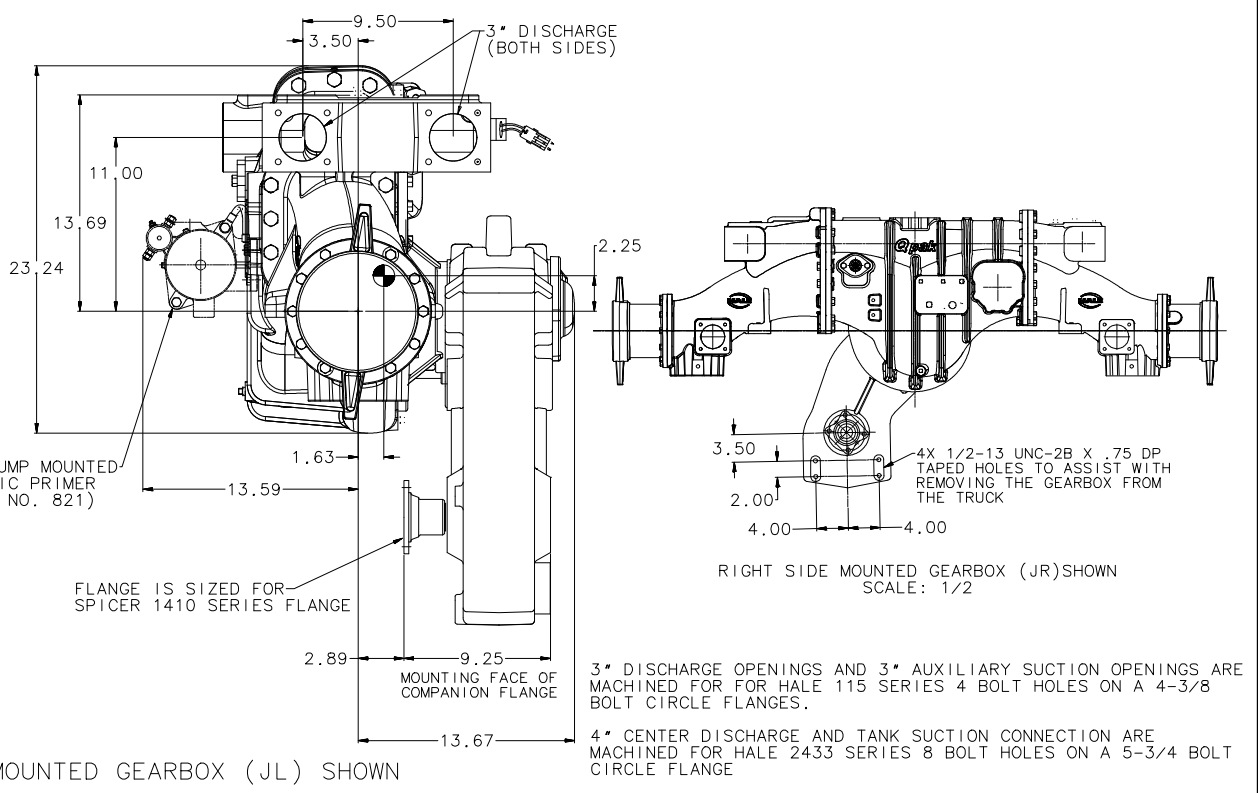
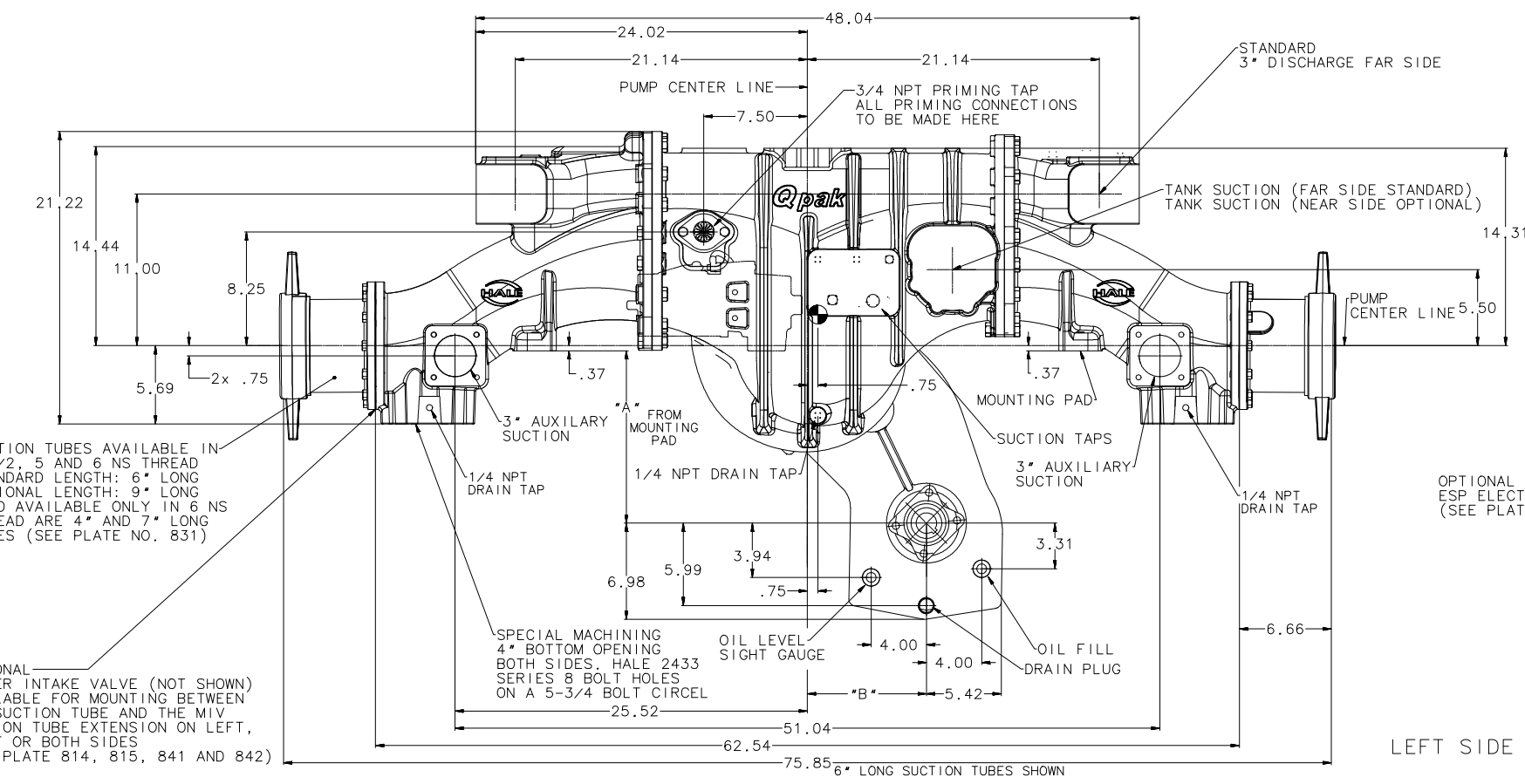


PLATE NO. 924AE QPAK INSTALLATION (WITH J SERIES GEARBOX)

ECO NO	REV	CHANGED FROM	BY	DATE	APVD	ECO NO	REV	CHANGED FROM	BY	DATE	APVD
						00-624	C	ADDED DRAIN TAP CALLOUTS TO RIGHT & LEFT SIDE PUMP BODIES UPDATED 4\"/>			
01-285	E	ADDED MAX GEARBOX INPUT RPMs	DJK	7-19-01	MAL	00-544	B	UPDATED VIEWS ONLY	DJK	8-2-00	MAL
01-198	D	ADDED CENTER OF GRAVITY	MMW	4-18-01	MAL	00-434	A	RELEASED	DJK	4-24-00	MAL

HALE PRODUCTS, INC.
 A Unit of IDEX Corporation
 Conshohocken, PA 19428 USA

COPYRIGHT © NOT TO BE REPRODUCED OR USED TO MAKE OTHER DRAWINGS OR MACHINERY. DRAWN: DJK, CHECKED: MAL, DATE: 04-07-00, SIZE: R, SCALE: FULL