

VALVE x WELD

104318 3.0"
HEIGHT: 2.24"
3" PIPE
3" ELKHART FLANGE

104301 1.0"
112381 1.5"
120989 2.0" x 1.5"
112382 2.0"
112383 2.5"
112384 3.0"
HEIGHT: 2.25"
PIPE
HALE/AK/ELK VALVE (3" HALE/AK ONLY)

110066 2.5"
HEIGHT: 5.12" (CENTERLINE 6" PIPE TO FLANGE)
2.5" PIPE
6" COPED WELD
2.5" VALVE

110156 4.0" - 3/4" NPT PORT
110157 4.0" - FLOWMINDER PORT
HEIGHT: 2.82"
4" PIPE
FLOWMINDER/NPT
4" AK/ELK FLANGE

114408 3.0"
HEIGHT: 3.00"
4" PIPE
3/4" FNPT
3" VALVE (HALE/AK)

VALVE x GROOVE

107243 1.0"
107244 1.5"
120990 2.0" x 1.5"
107157 2.0"
107245 2.5"
107246 3.0"
HEIGHT: 2.25"
GROOVE
HALE/AK/ELK VALVE (3" HALE/AK ONLY)

112391 1.5" - HEIGHT: 2.25"
120991 2.0" x 1.5" - HEIGHT: 2.25"
112392 2.0" - HEIGHT: 2.8"
112393 2.5" - HEIGHT: 2.9"
112394 3.0" - HEIGHT: 2.9"
GROOVE
3/4" FNPT (1/4" FNPT ON 112391 & 120991)
HALE/AK/ELK VALVE (3" HALE/AK ONLY)

112404 2.0" - HEIGHT: 2.8"
112405 2.5" - HEIGHT: 2.9"
112406 3.0" - HEIGHT: 2.9"
GROOVE
FLOWMINDER
HALE/AK/ELK VALVE (3" HALE/AK ONLY)

115223 2.0" - HEIGHT (FLG TO CL): 3.0"
115221 2.5" - HEIGHT (FLG TO CL): 3.0"
115219 3.0" - HEIGHT (FLG TO CL): 3.69"
3/4" FNPT
90° ELBOW
GROOVE
HALE/AK VALVE

114627 3.0"
45°
3" VALVE
3" GROOVE

115222 2.0"
115220 2.5"
115218 3.0"
3/4" FNPT
GROOVE
45° ELBOW
HALE/AK VALVE

115961 2.5"
HEIGHT: 8.25" (FLG TO VIC CL)
2.5" VALVE HALE/AK/ELK
2.5" GROOVE
3/4" FNPT
90° ELBOW

VALVE x HOSE

114471 3.0"
HEIGHT: 4.30"
4" MNH
3/4" FNPT
3.0" VALVE (HALE/AK)

115437 1.0" - 1.31" HGT
044-1750-06-0 1.5" - 1.53" HGT
115560 1.5" - 2.0" HGT
120988 2.0" x 1.5" - 1.53" HGT
044-1770-13-0 2.5" - 3.75" HGT
044-1771-09-0 2.5" - 6.0" HGT
044-1781-09-0 3.0" - 6.0" HGT
HALE/AK/ELK VALVE (3" HALE/AK ONLY)
MNH

044-1781-07-0 3.0"
HEIGHT: 3.00"
HOSE BARB FOR 3.50" ID HOSE
3/4" FNPT (2.5" & 3.0" SIZES ONLY)
3.0" VALVE (HALE/AK)

826-2600-00-0 2.5" BASE P/N 044-1771-12-0
831-2600-00-0 3.0" BASE P/N 044-1781-11-0
HEIGHT: 7.0"
HALE/AK/ELK VALVE (3" HALE/AK ONLY)
3/4" FNPT
FNH SWIVEL

826-7100-00-0 2.5" BASE P/N 114036
HEIGHT: 5.0"
2.5" VALVE HALE/AK/ELK
3/4" FNPT
FNH SWIVEL

044-1771-11-0 2.5"
044-1781-12-0 3.0"
HALE/AK/ELK VALVE (3" HALE/AK ONLY)
45° ELBOW
MNH
3/4" FNPT

115596 2.5" (BASE P/N 044-1771-11-0)
CUT 2.5" FROM FLANGE BASE
2.5" VLV (HALE/AK/ELK)
30° ELBOW
3/4" FNPT
2.5" MNH

VALVE x VALVE

113639 2.5" - 1.0" THK (USE O-RING 040-1550-00-0)
115429 2.5" - 0.25" THK
2.5" VALVE (HALE/AK/ELK)
SPACER

114902 3.0"
HEIGHT: 4.63"
3" VALVE (HALE/AK)

VALVE x NPT

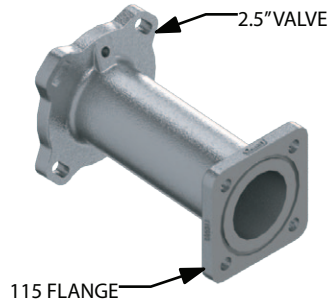
044-1751-02-0 1.5" - 1.34" HGT
120986 2.0" x 1.5" - 1.31" HGT
044-1761-02-0 2.0" - 1.46" HGT
044-1771-02-0 2.5" - 1.53" HGT
044-1781-02-0 3.0" - 1.97" HGT

FNPT
HALE/AK/ELK VALVE (3" HALE/AK ONLY)

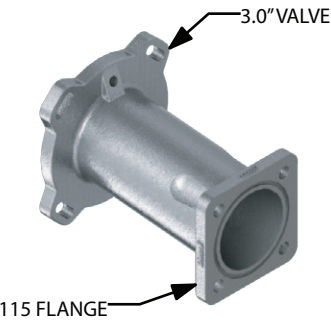
120987 2.0" x 1.5"
HEIGHT: 2.53"
2.0" VLV (HALE/AK/ELK)
3/4" FNPT
1.5" FNPT

VALVE x 115

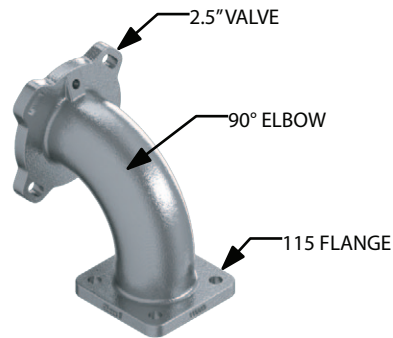
- 113637** 2.5" x 115 - FOR 70" PANEL
- 111069** 2.5" x 115 - FOR 72" PANEL
- 115083** 2.5" x 115 - FOR 74" PANEL
- 117020** 2.5" x 115 - FOR 76" PANEL



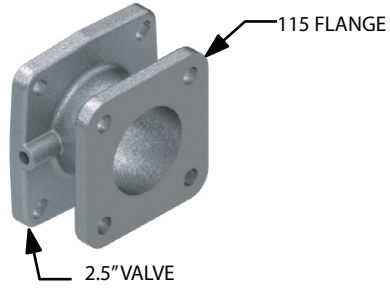
- 113638** 3.0" x 115 - FOR 70" PANEL
- 111070** 3.0" x 115 - FOR 72" PANEL
- 115087** 3.0" x 115 - FOR 74" PANEL
- 117021** 3.0" x 115 - FOR 76" PANEL



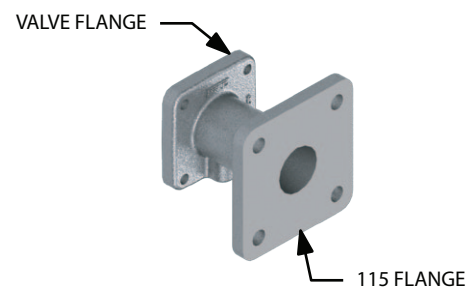
- 113641** 2.5" x 115 - FOR 70" PANEL
- 111071** 2.5" x 115 - FOR 72" PANEL
- 115082** 2.5" x 115 - FOR 74" PANEL
- 117022** 2.5" x 115 - FOR 76" PANEL



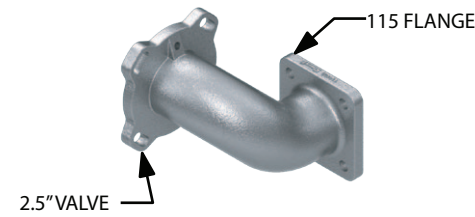
- 112408** 2.5" x 115
HEIGHT: 2.50"



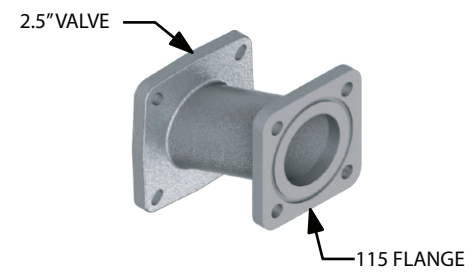
- 113270** 1.5" x 115
- 113271** 2.0" x 115
HEIGHT: 3.75"



- 114490** 2.5" x 115
HEIGHT: 3.00" (VLV FLG TO 115 FLG CL)
5.75" (115 FLG TO VLV FLG CL)

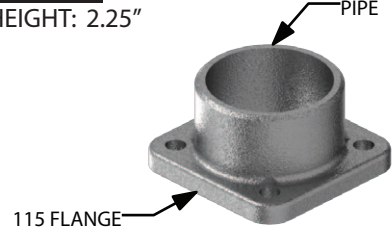


- 116095** 2.5" x 115
HEIGHT: 4.00"
OFFSET: 1.50"

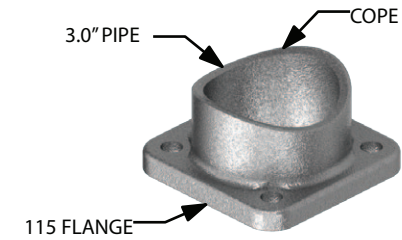


115 x WELD

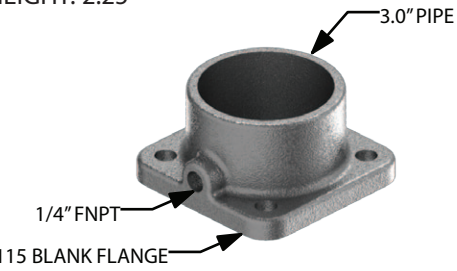
- 104302** 115 x 2.0"
- 104209** 115 x 2.5"
- 104210** 115 x 3.0"
HEIGHT: 2.25"



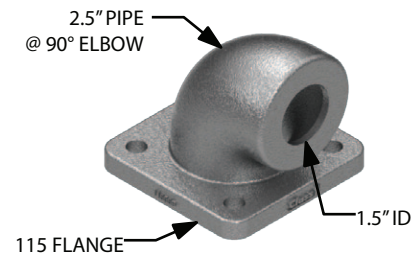
- 105289** COPED FOR 4"/5" PIPE
- 109972** COPED FOR 6" PIPE



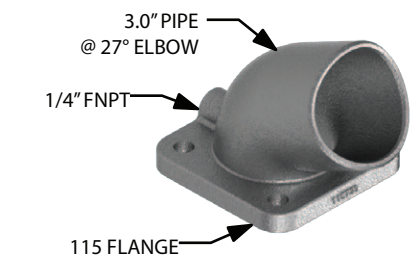
- 109816** 115 x 3.0"
HEIGHT: 2.25"



- 115559** 115 x 2.5"
HEIGHT: 1.5" (FLANGE TO CENTERLINE)

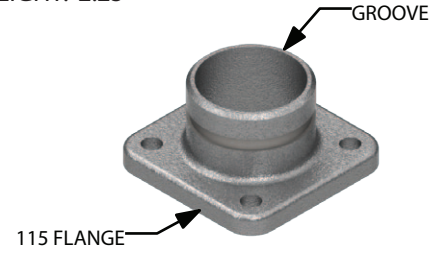


- 115733** 115 x 3.0"
HEIGHT: 1.5" (FLANGE TO CENTERLINE)



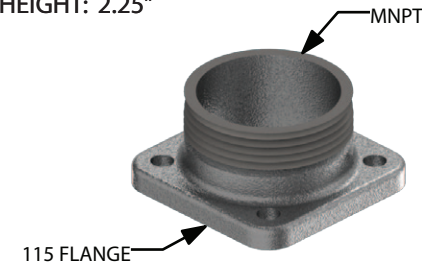
115 x GROOVE

- 105810** 115 x 2.0"
- 105326** 115 x 2.5"
- 105811** 115 x 3.0"
HEIGHT: 2.25"

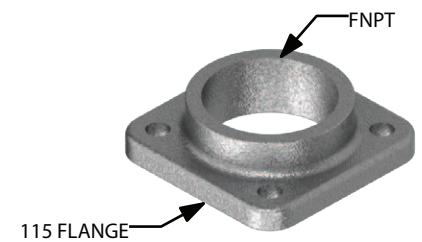


115 x NPT

- 110616** 115 x 2.0"
- 110076** 115 x 2.5"
- 110489** 115 x 3.0"
HEIGHT: 2.25"

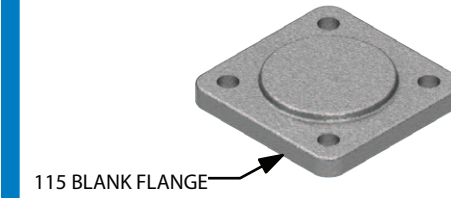


- 114130** 115 x 1.5" - HEIGHT: 0.88"
- 111892** 115 x 2.5" - HEIGHT: 1.25"
- 114131** 115 x 3.0" - HEIGHT: 1.38"

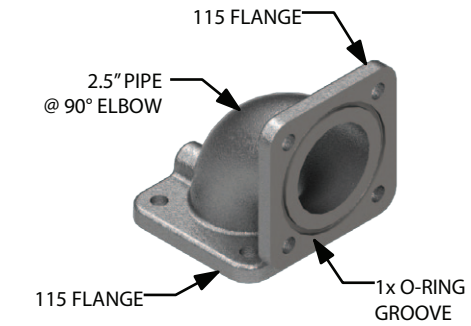


115 x 115

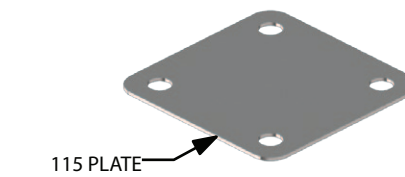
- 110574** 115 x 115
HEIGHT: 0.50"



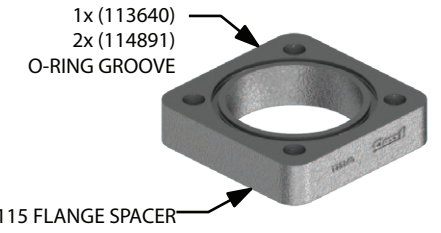
- 113081** 115 x 115
HEIGHT: 2.94" (2x FLANGE TO CENTERLINE)



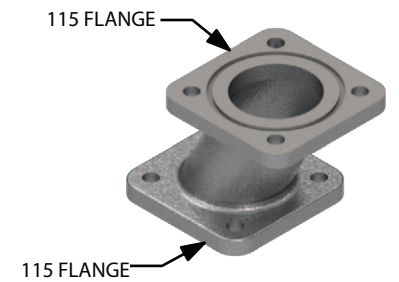
- 113386** 115 x 115
HEIGHT: 0.08"



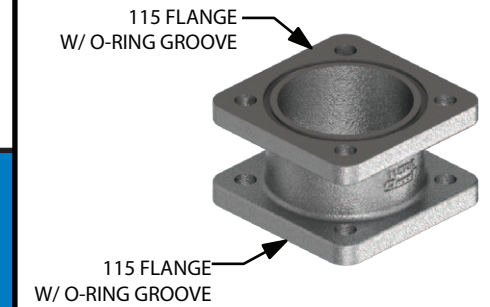
- 113640** 115 x 1.00" THICK
- 114891** 115 x 0.44" THICK



- 114491** 115 x 115
HEIGHT: 4.00"
OFFSET: 1.5"



- 115795** 115 x 115
HEIGHT: 2.50"

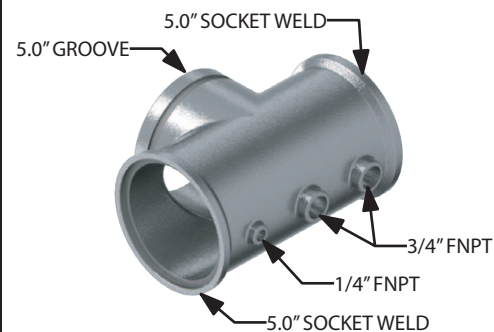


PLUMBING PRODUCTS

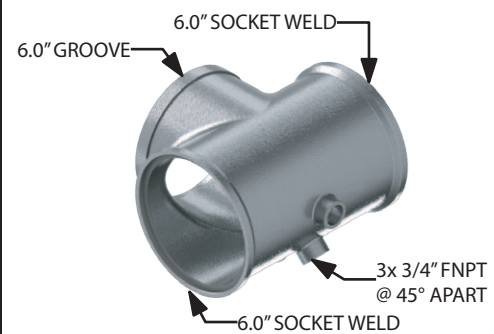
PLUMBING PRODUCTS

TEES

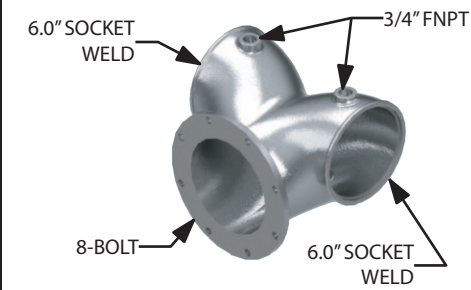
112692 5.0"
 LENGTH: 10.0"
 HEIGHT: 4.2" (FROM C/L TO GROOVE)



112867 6.0"
 LENGTH: 10.0"
 HEIGHT: 5.25" (FROM C/L TO GROOVE)

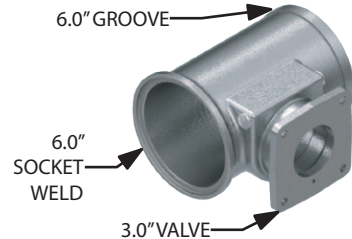


178-0470-00-0 8-BOLT X 6.0"
 WIDTH: 12.5"
 HEIGHT: 2.5" (C/L TO C/L)
 DEPTH: 6.38" (8-BOLT TO C/L)

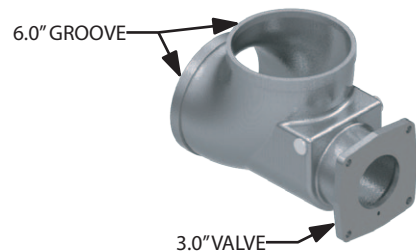


CHECK VALVE

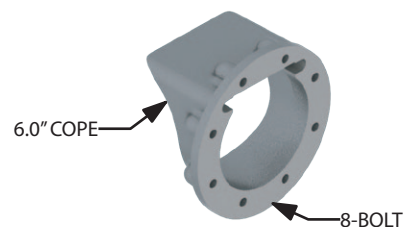
116485 METAL
 WIDTH: 9.5"
 HEIGHT: 5.81" (FLG TO C/L)



116486 METAL
 WIDTH: 11.67"
 HEIGHT: 5.38" (C/L TO TOP)

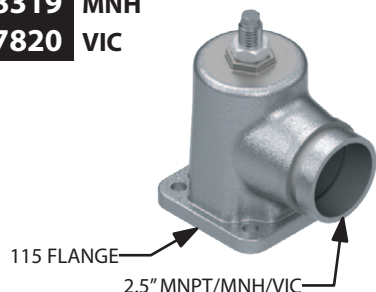


115-1700-00-0 COMPOSITE



RELIEF VALVES

107819 MNPT
108319 MNH
107820 VIC



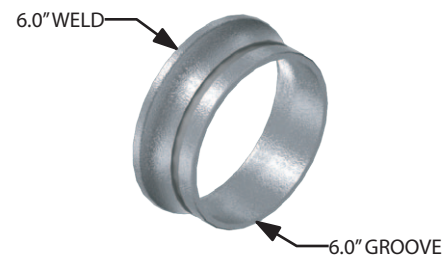
NH

112603 4.5" MNH x 5.0" WELD
114842 5.0" MNH x 6.0" WELD
108129 6.0" MNH x 6.0" WELD

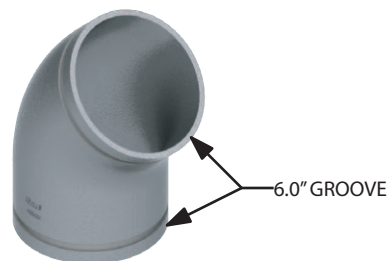


GROOVE PIPE

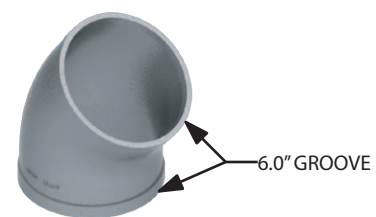
109266 6.0"
 HEIGHT: 2.5"



115036 6.0" @ 45°

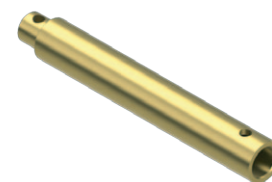


115480 6.0" @ 10°
115493 6.0" @ 38°



MIV HANDLE

113404 5.25" LONG
113404-001 6.25" LONG
113404-002 1.63" LONG

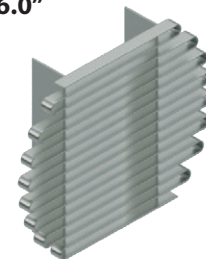


STRAINERS

010-0050-00-0 2.5"
010-0130-00-0 3.0"



010-0010-00-0 4.5"
010-0020-00-0 5.0"
010-0030-00-0 6.0"



CHECK VALVE

108995 3.0" DUAL
LENGTH: 15.00"

FLOWMINDER
1.0" FNPT
CHECK VALVE
2x 3.0" GROOVE

108966 3.0" SINGLE
LENGTH: 9.50"

FLOWMINDER
1.0" FNPT
CHECK VALVE
2x 3.0" GROOVE

112074 2.0" SINGLE
LENGTH: 8.50"

FLOWMINDER
1.0" FNPT
CHECK VALVE
2x 2.0" GROOVE

113214 2.0" SINGLE - HEIGHT: 3.25"
113215 2.5" SINGLE - HEIGHT: 3.31"
113216 3.0" SINGLE - HEIGHT: 4.53"

2x VALVE
2x 1/4" FNPT
CHECK VALVE
FLOWMINDER

114666 3.0" SINGLE
HEIGHT: 5.25"

3.0" GROOVE
1.25" FNPT
3.0" VALVE
CHECK VALVE

MIXER

112334 2.0"
112335 2.5"
112336 3.0"

112369 2.0" - HEIGHT: 2.25"
112370 2.5" - HEIGHT: 2.90"
112371 3.0" - HEIGHT: 2.90"

3/4" FNPT
GROOVE
VALVE
3/4" FNPT (112639)
1.0" FNPT (112370)
1.25" FNPT (112371)

O-RINGS

142-0390-00-0 115 FLANGE

110160 4" DISCH. MANIFOLD

GASKETS

110841 2.0"/2.5" VALVE FLANGE
115029 3.0" VALVE FLANGE

046-0050-00-0 115 FLANGE

046-0060-00-0 8-BOLT FLANGE

046-1760-00-0 8-BOLT FLANGE
USE WITH 104317 & 105812

046-0040-00-0 12-BOLT FLANGE

8-BOLT (2433) x VALVE

112407 3.0"
HEIGHT: 2.50"

3.0" VALVE
8-BOLT

113272 3.0"
HEIGHT: 3.00"
OFFSET: 1.50"

3.0" VALVE
8-BOLT

113273 3.0"
HEIGHT: 3.25"
OFFSET: 4.0"

3.0" VALVE
8-BOLT

113274 3.0"
HEIGHT: 7.10"
OFFSET: 3.00" @ 4.0°

3.0" VALVE
8-BOLT

115333 4.0"
HEIGHT: 5.50"

3.0" VALVE
FLOWMINDER
8-BOLT

115393 3.0"
HEIGHT: 3.38"
OFFSET: 1.85" @ 4.0°

3.0" VALVE
8-BOLT

8-BOLT x WELD

104317 3.0"
110155 4.0"
HEIGHT: 2.25"

WELD
8-BOLT

8-BOLT x GROOVE

105812 3.0"
HEIGHT: 2.25"
USE GASKET 046-1760-00-0

GROOVE
8-BOLT

114812 4.0"
HEIGHT: 4.47" (FLG TO C/L)

45°
90°
4.0" GROOVE
8-BOLT

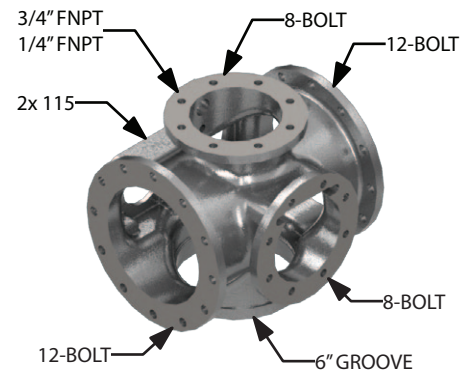
8-BOLT FLANGE

109433 BLANK
THICKNESS: 0.50"

8-BOLT

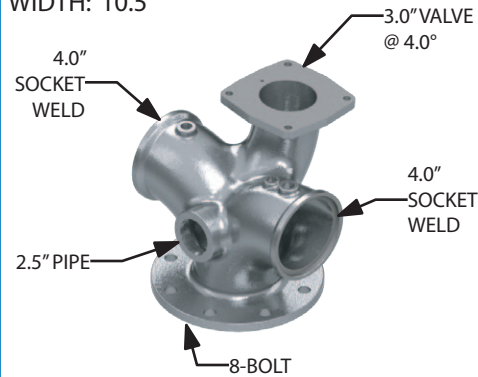
12-BOLT 2417

108886 11.5"W x 10.0"H x 9.5"D



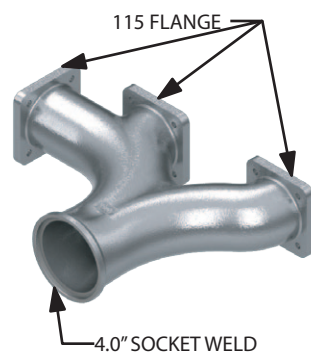
119075 TEE

HEIGHT: 5.5" (FLG TO PIPE C/L)
WIDTH: 10.5"



119076 BRANCH

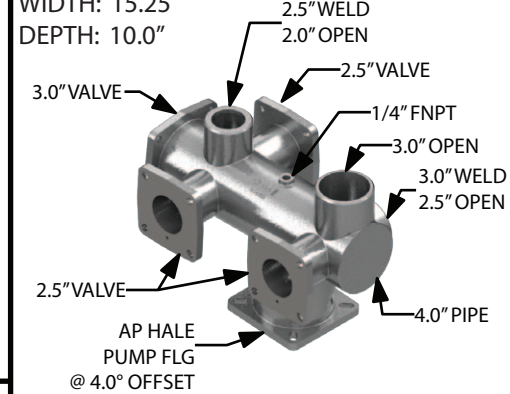
HEIGHT: 11.0"



AP/MBP DISCHARGE

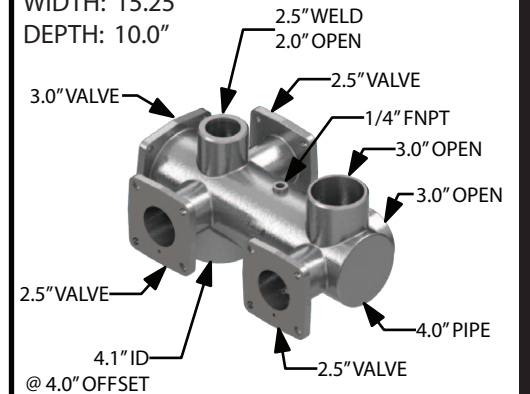
114900

HEIGHT: 10.88"
WIDTH: 15.25"
DEPTH: 10.0"



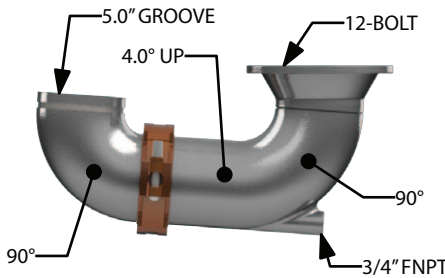
115734

HEIGHT: 7.7"
WIDTH: 15.25"
DEPTH: 10.0"



115146 5.0" - REAR SUCTION

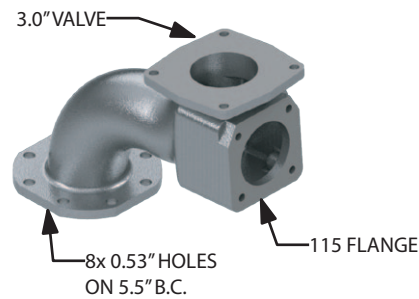
LENGTH: 15.0" (C/L PIPE TO C/L FLANGE)



ADAPTER DISCHARGE

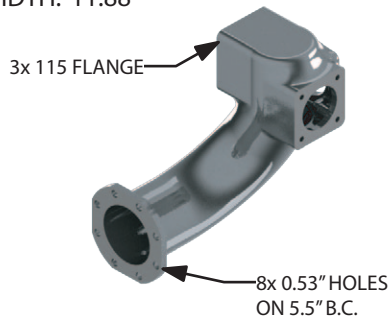
117247 DECK GUN

HEIGHT: 1.68"



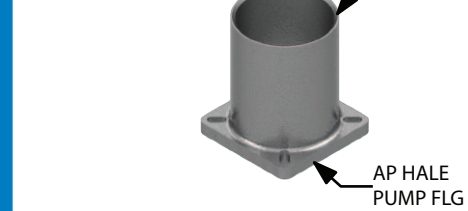
117250 RH OFFSET 115

HEIGHT: 8.63" (FLG TO C/L)
OFFSET: 9.13" (FLG TO C/L)
WIDTH: 11.88"



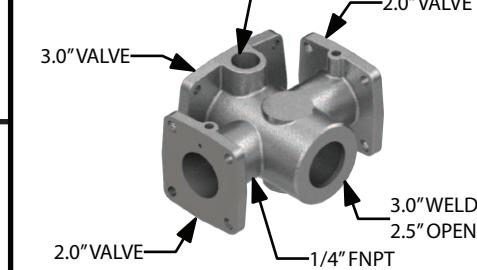
112552

HEIGHT: 6.38"



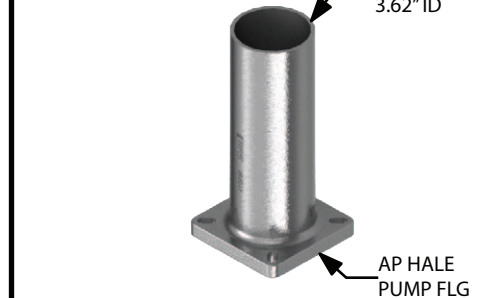
114901

HEIGHT: 5.6"
WIDTH: 8.0"
DEPTH: 5.5"



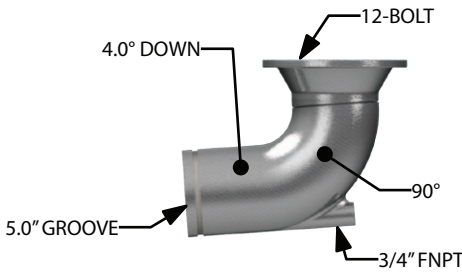
115737

HEIGHT: 11.38"



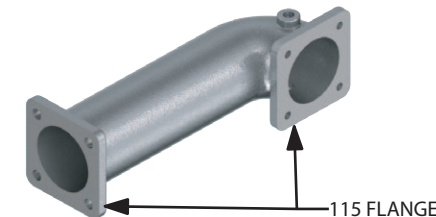
116375 5.0" - FRONT SUCTION

LENGTH: 10.0" (C/L FLANGE TO END PIPE)



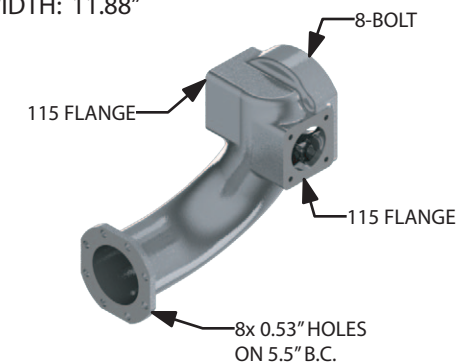
117248 EXTENSION

OFFSET: 12.25"



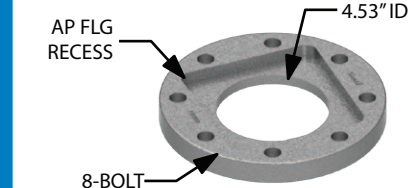
117251 RH OFFSET 8-BOLT

HEIGHT: 8.63" (FLG TO C/L)
OFFSET: 9.13" (FLG TO C/L)
WIDTH: 11.88"



115340 8-BOLT

THICKNESS: 0.94"

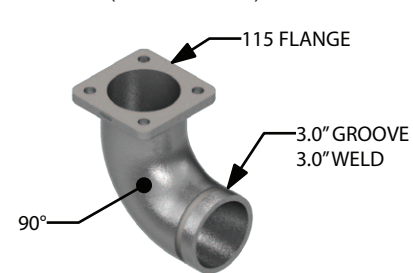


MIDSHIP DISCHARGE

113342 3.0" GROOVE

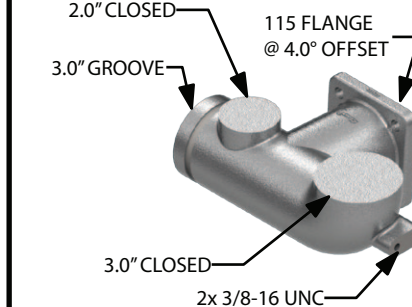
113343 3.0" WELD

HEIGHT: 4.9" (FLG TO PIPE C/L)



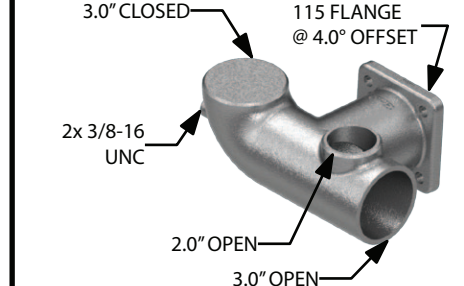
113275 3.0"

HEIGHT: 4.9" (FLG TO PIPE C/L)



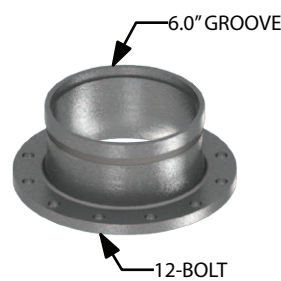
113344 3.0"

HEIGHT: 4.9" (FLG TO PIPE C/L)



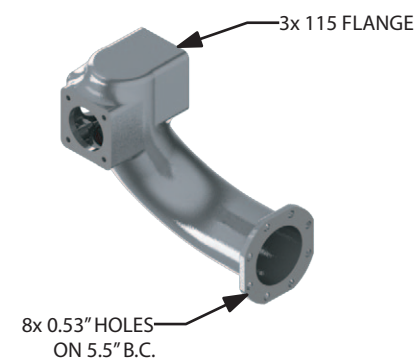
110986 6.0"

HEIGHT: 3.50"



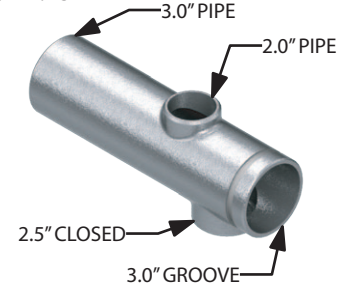
117249 LH OFFSET

HEIGHT: 8.63" (FLG TO C/L)
OFFSET: 9.13" (FLG TO C/L)
WIDTH: 11.88"



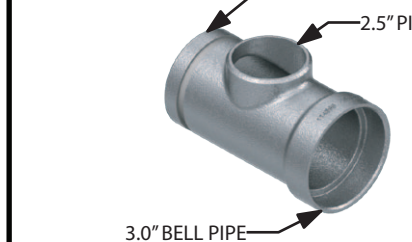
110119 3.0"

LENGTH: 12.25"



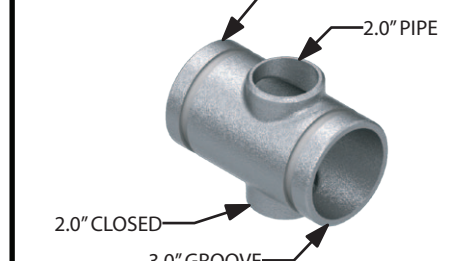
114396 3.0"

LENGTH: 6.0"



114397 3.0"

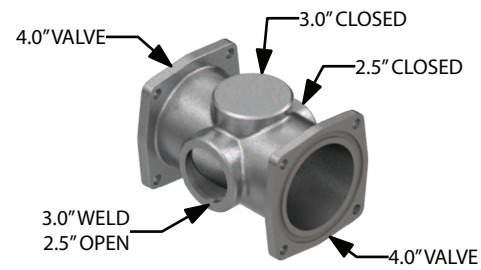
LENGTH: 6.0"



4.0" DISCHARGE

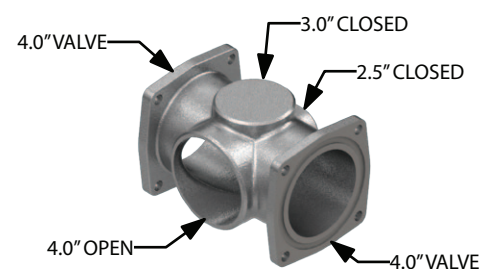
108754 2x 4.0" VALVE FLG

LENGTH: 8.0"



108755 2x 4.0" VALVE FLG

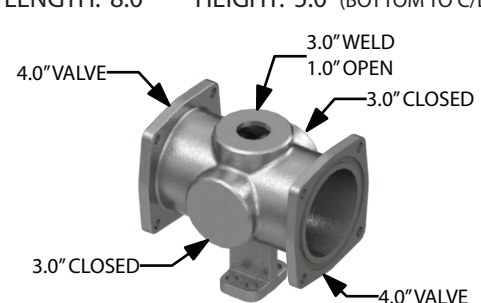
LENGTH: 8.0"



108756 2x 4.0" VALVE FLG - 0° OFFSET

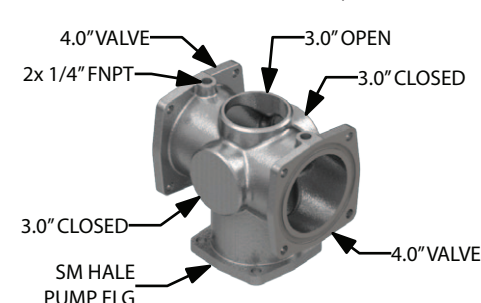
108798 2x 4.0" VALVE FLG - 4° OFFSET

LENGTH: 8.0" HEIGHT: 5.0" (BOTTOM TO C/L)



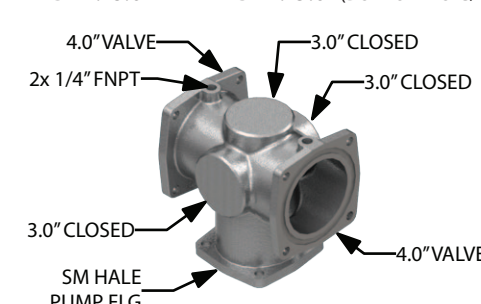
108757 2x 4.0" VALVE FLG

LENGTH: 8.0" HEIGHT: 5.0" (BOTTOM TO C/L)



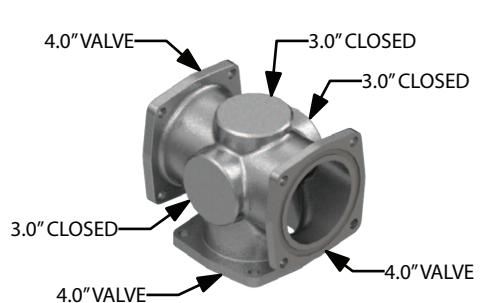
108799 2x 4.0" VALVE FLG

LENGTH: 8.0" HEIGHT: 5.0" (BOTTOM TO C/L)



108758 3x 4.0" VALVE FLG

LENGTH: 8.0" HEIGHT: 4.0" (BOTTOM TO C/L)

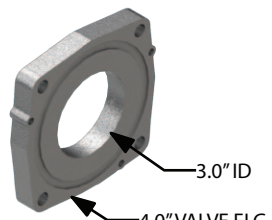


108827 CAP



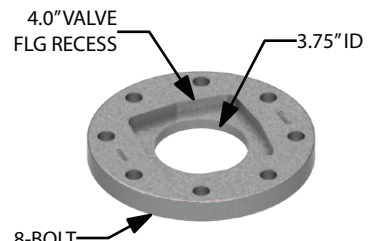
110132 SPACER

THICKNESS: 0.75"

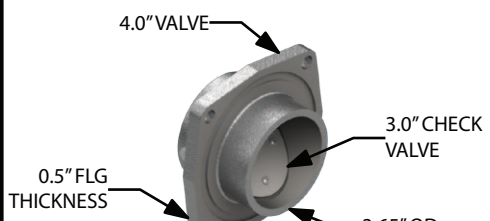


115341 ADAPTER

THICKNESS: 0.94"



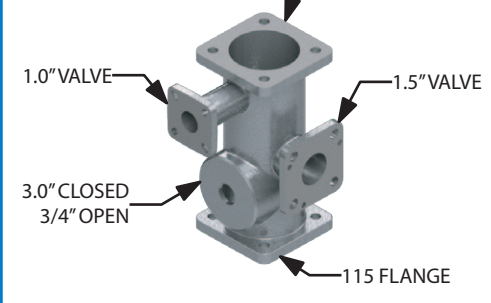
112076 3.0" CHK VLV



PORTABLE DISCHARGE

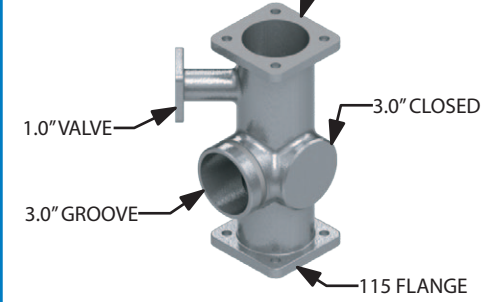
108985

HEIGHT: 9.0"



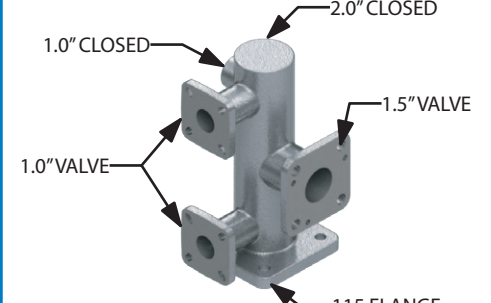
110506

HEIGHT: 9.0"



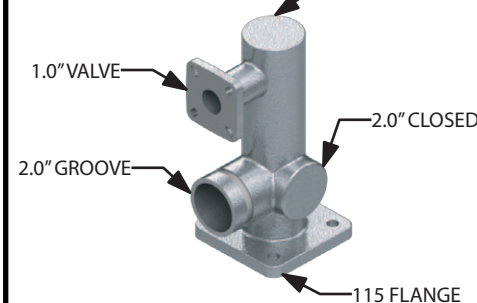
111647

HEIGHT: 9.0"



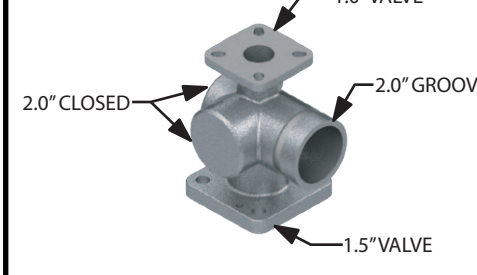
111648

HEIGHT: 9.0"



111650

HEIGHT: 5.25"



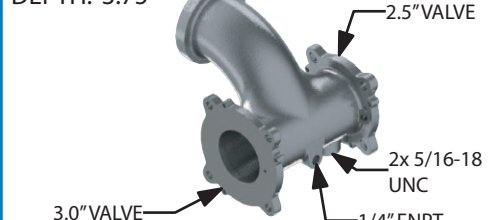
PORTABLE SUCTION

108986

LENGTH: 7.75"

HEIGHT: 6.25"

DEPTH: 3.75"

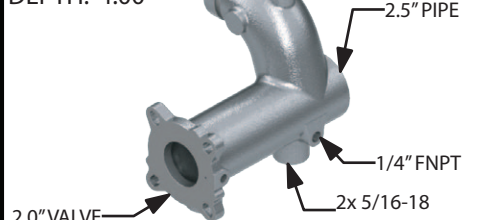


111841

LENGTH: 8.25"

HEIGHT: 3.75"

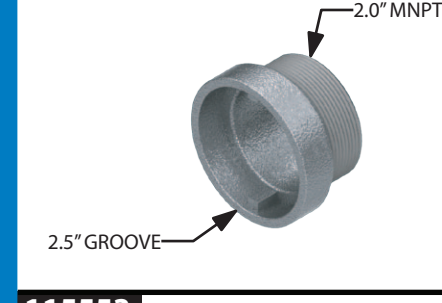
DEPTH: 4.00"



PORTABLE ADAPTER

111715

HEIGHT: 1.68"



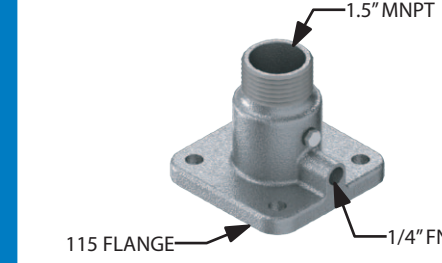
115553

HEIGHT: 1.0"



112075 CHECK VALVE

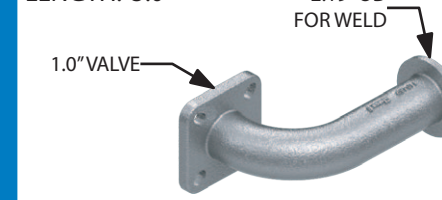
HEIGHT: 3.70"



115489

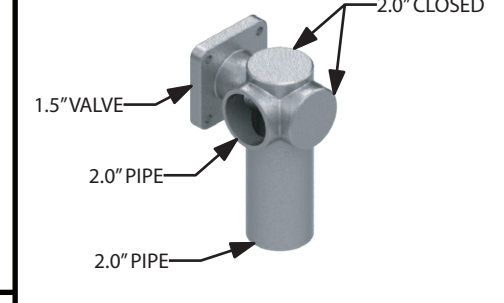
HEIGHT: 2.75"

LENGTH: 5.0"



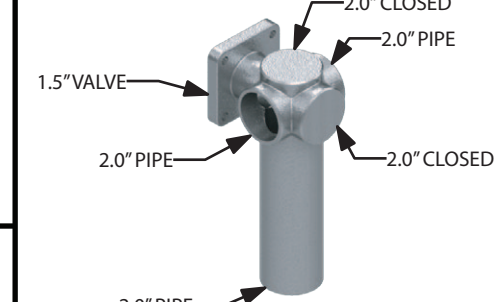
115453

HEIGHT: 7.0"



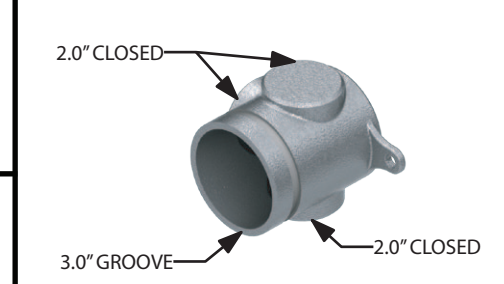
115579

HEIGHT: 9.5"



118903

LENGTH: 4.25"



BALL VALVES

14BV 1/4"
38BV 3/8"
12BV 1/2"
34BV 3/4"
10BV 1"
 RECTANGULAR HANDLE

14BVR 1/4"
38BVR 3/8"
12BVR 1/2"
34BVR 3/4"
10BVR 1"
 ROUND HANDLE

34BV90 3/4" @ 90°
 RECTANGULAR HANDLE

34BVR90 3/4" @ 90°
 ROUND HANDLE

622702 3/4" DISCHARGE
 RECTANGULAR HANDLE

110829 3/4" SUCTION
 RECTANGULAR HANDLE

115637 3/4" DISCHARGE
 LIFT HANDLE

115638 3/4" SUCTION
 LIFT HANDLE

115639 3/4"
 LIFT HANDLE

LEVERS

115164 3.25" & 4.0" HOLES
116303 4.0" & 6.13" HOLES

116304 DIRECT

114659 DIRECT, OFFSET
 OFFSET: 0.56"

101923 EXTENSION
 EXTENDS 1.5"

114551 EXTENSION @ 45°
 EXTENDS 3.0"

HANDLES

100899 14BV, 38BV, & 12BV
100074 34BV, 34BV90, & 10BV
 RECTANGULAR

102485 14BVR, 38BVR, & 12BVR
102486 34BVR, 34BV90R, & 10BVR
 ROUND

114997 34BV
 LIFT

BRACKETS

112714 5.0" UPPER
112713 5.0" LOWER
112737 6.0" UPPER
112736 6.0" LOWER

112738 BODY

116641 FOAM SYSTEM

113799 2.0" UPPER
113798 2.0" LOWER

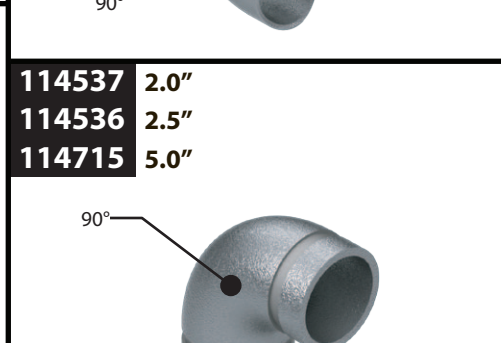
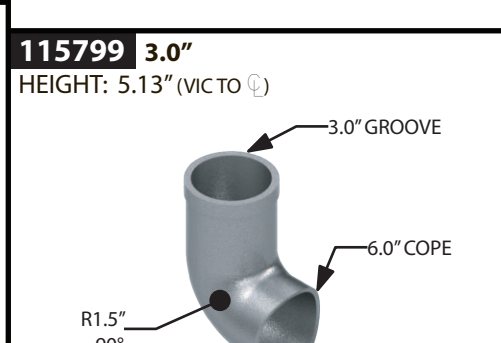
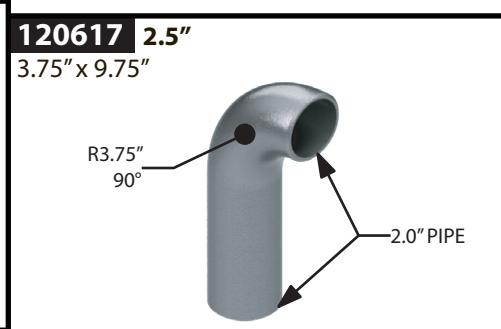
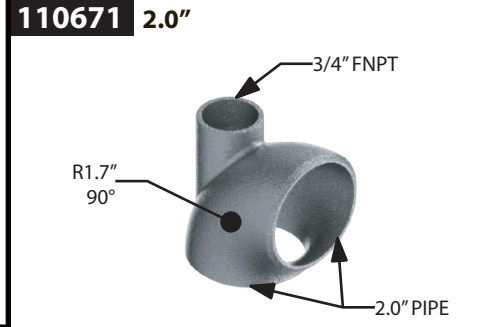
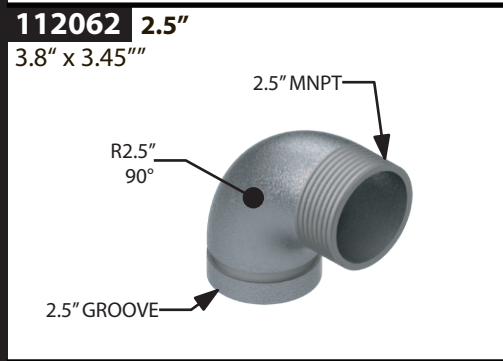
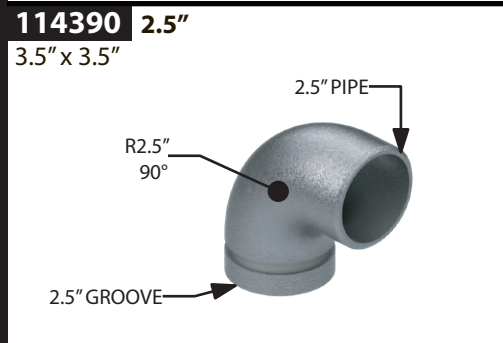
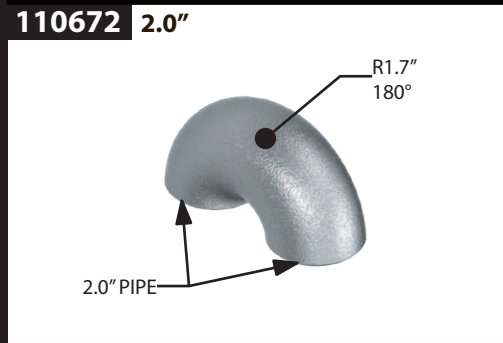
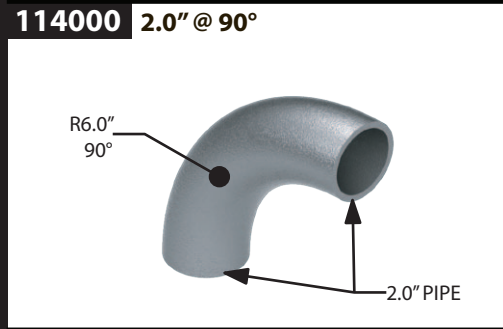
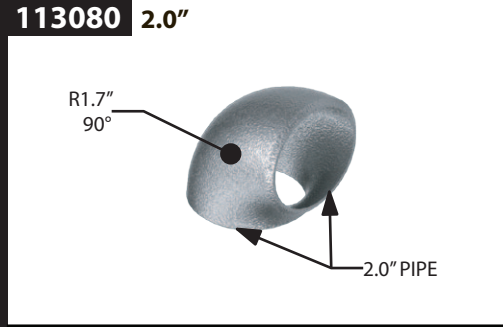
110679 3.0"

114722 PANEL LATCH

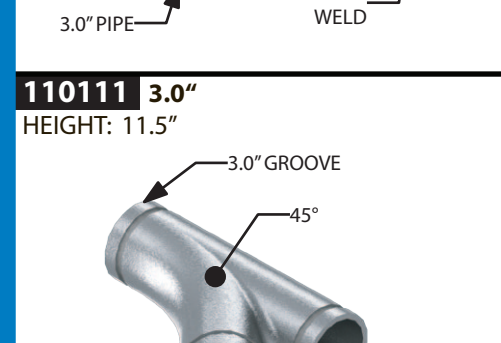
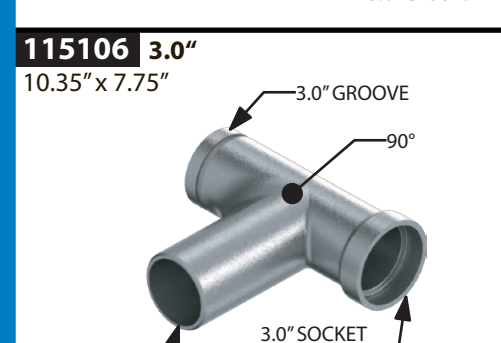
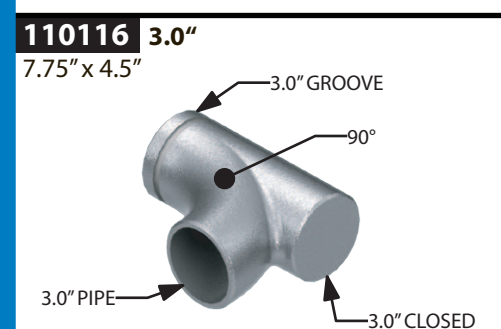
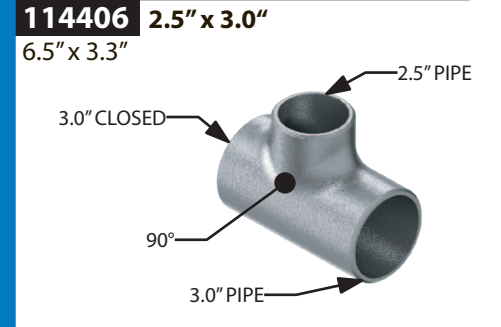
10BRK 1.0" VALVE
15BRK 1.5" VALVE
20BRK 2.0" VALVE
25BRK 2.5" VALVE
30BRK 3.0" VALVE

100386 1.0" 90° VALVE
15BRK90 1.5" 90° VALVE
20BRK90 2.0" 90° VALVE
25BRK90 2.5" 90° VALVE
30BRK90 3.0" 90° VALVE

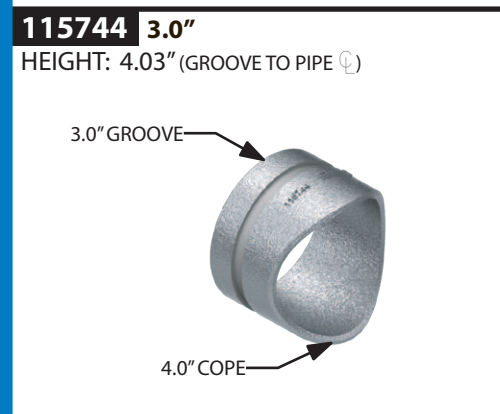
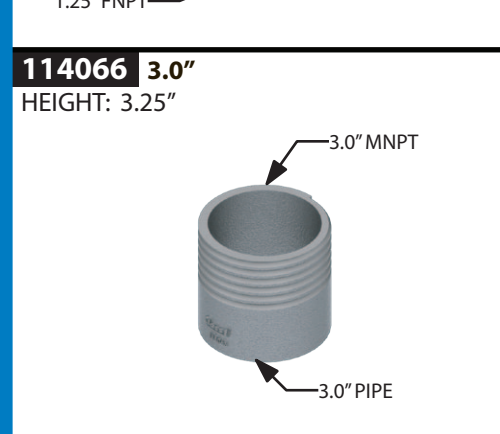
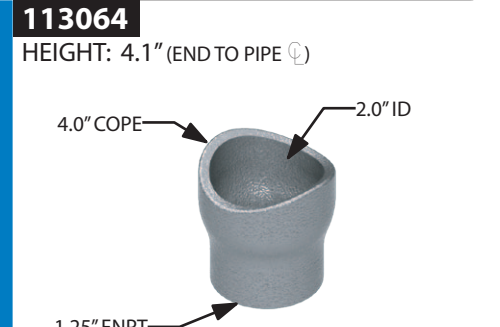
ELBOWS



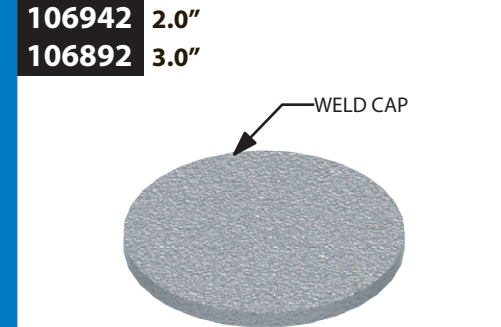
TEES



ADAPTERS

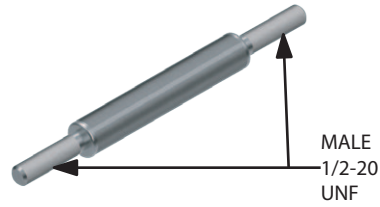


CAPS

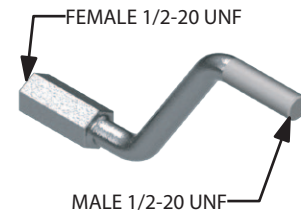


CONTROL ROD ENDS

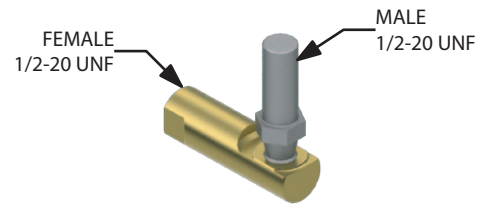
PRXXXX CONTROL ROD
 TIP-TO-TIP LENGTH SET BY XXXX
 MIN LG 6.00" = PR0600
 MAX LG 72.00" = PR7200



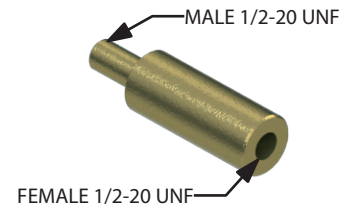
118424 1.5" OFFSET
118425 3.0" OFFSET
118426 4.5" OFFSET
 LENGTH: 6.75"



100916 BALL JOINT

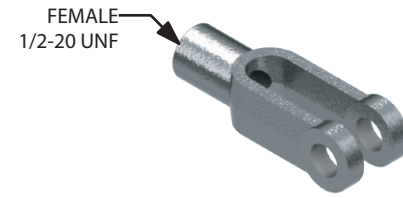


121024 TANK FILL EXTENSION
 LENGTH: 3.5"

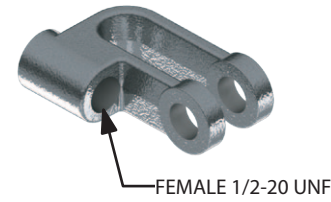


YOKES

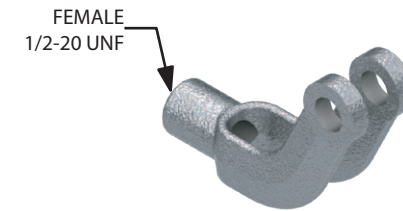
103402 STRAIGHT
 LENGTH: 3.0"



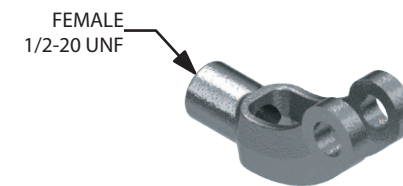
105235 OFFSET
 LENGTH: 2.25"
 OFFSET: 0.83"



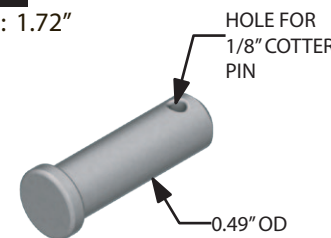
103448 ANGLED LONG
 LENGTH: 3.25"
 HEIGHT: 1.75"



106672 ANGLED SHORT
 LENGTH: 2.75"
 HEIGHT: 0.88"

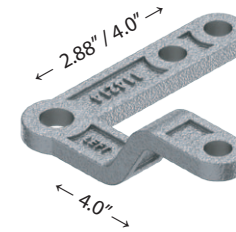


103403 PIN
 LENGTH: 1.72"

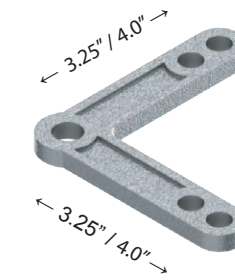


BELL CRANKS

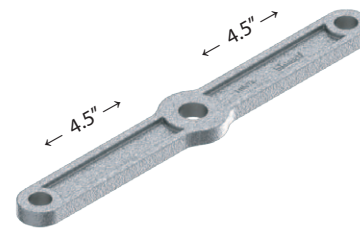
114214 LEFT (SHOWN)
114215 RIGHT
 OFFSET: 1.25"



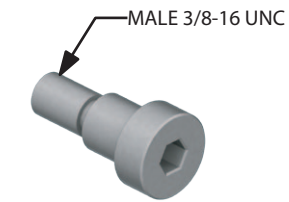
114499



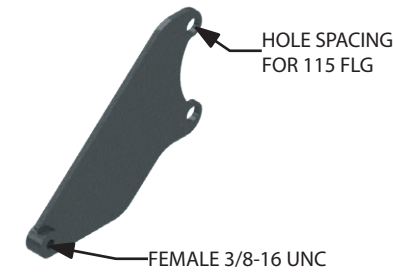
116474
 2X 4.5"



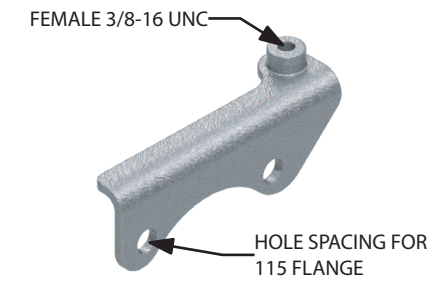
113305 BOLT



119707 BRACKET



115728 TOP MOUNT BRACKET



116475 RRR BRACKET
 HEIGHT: 4.0"

