

CUSTOMER ORDER SPECIFICATION FOR HALE MIDSHIP FIRE PUMP

Customer Name: _____ Customer P.O. NO.: _____
 Order Prepared By: _____ Hale Customer NO.: _____ Date: _____
 Fire Dept. Name: _____ City: _____ State: _____
 Requested Delivery Date: _____ Max. Elevation for Pump Test: _____ FT
 Reference Specifications: _____

Engine: Mfr: _____ Model: _____ Horsepower: _____ @ _____ RPM
 Full Load Governed RPM: _____ Peak Torque: _____ LB/FT @ _____ RPM
 Application confirmed with: (for applications not on list) _____

1. Pump Model (Circle Price of Model Desired):

FLOW GPM (LPM)	750 (3000)	1000 (4000)	1250 (N/A)	5000 LPM
PUMP MODEL (METRIC)	75 (300M)	100 (400M)	125 (N/A)	500M
QFLO PLUS	\$7,691	\$7,691	\$7,691	\$8,245

1A. Pump Light Kit Option (Check Applicable Box(es)):

- NFPA Midship Light Kit \$156
- No Light Kit N/C

1B. Pump Manual Option (Check Applicable Box(es)):

- Paper Manual version \$36
- CD Version (2) N/C

1C. Panel Placard Option (Check Applicable Box(es)):

- Stamped S/N Placard \$29
- No Panel Placard N/C

2. NFPA Rating (Check Applicable Box(es)):

- Provided N/C
- Dual Rating (GPM/LPM) \$175

3. Pump Body Configuration (Check Applicable Box(es)):

- Standard Machining N/C
- Special Machining (circle choice(s))

	OPENING			
	A	D, E, F & G	O	P
CAST SOLID	STD	STD		
3" 4-BOLT		\$596	STD	STD
4" 8-BOLT	\$309		\$309	\$309

4. Drive Unit and Pump Ratio (Circle Price of Model Desired):

3A: RATIO (CIRCLE ONE)				
MODEL		G SERIES		
			L	X
1.58	-15	\$9,110		
1.71	-17	\$9,110		
1.86	-19	\$9,110		
1.96	-19			\$9,374
2.05	-21	\$9,110		
2.13	-21			\$9,374
2.28	-23	\$9,110		
2.32	-23			\$9,374
2.55	-25			\$9,374

5. Drive Unit Shift and Tach Cable (Check Boxes):

A. SHIFT OPTION (airshift included as standard):

- Customer Supplied Shift Control N/C
- VPS shift Control \$ 86

B. AUXILIARY OVERRIDE OPTION

- Manual Shift Override, 72" cable \$1300
- Manual Shift Override, 55" cable \$1300
- Manual Shift Override, Turn Rod \$1300

C. TACHOMETER

- No Cable or Panel Adapter N/C
- Panel Adapter Only \$ 123
- Cable and Panel Adapter \$ 230

6 Priming System (Circle price of model desired):

PRIMER MODEL	ESP-12		ESP-24	
	SPV	PVG	SPV	PVG
PRIMING VALVE				
PUMP MOUNTED	\$1741	\$1293	\$2177	\$1690
DRIVE UNIT MOUNT		\$1293		\$1690
SHIPPED LOOSE	\$1741	\$1293	\$2177	\$1690

7. Relief valve (Check One Box):

- QD with PM Control \$1,666
- QG with PM Control \$1,800
- TPM with PMD Control \$3,600
- No Relief Valve \$ 310

FOR ADDITIONAL OR LOOSE ACCESSORIES, VALVES, FLANGES, SEE SEPARATE ACCESSORY PAGE PRICE LIST AND ATTACH TO PUMP ORDER

Please see the Class 1 Price List for prices on Caps

8. Suction Extension and Tube (One for Each Side) (Circle Price of Items desired):

8A: SUCTION EXTENSION		
LEFT		RIGHT
\$510	(178-0063-00-0)	\$510
\$624	w BOTTOM (178-0063-01-0)	\$624
\$35	OMIT	\$35

8B: SUCTION TUBE		
LEFT	NST x LENGTH	RIGHT
\$399	4-½ X 6	\$399
\$336	5 X 6	\$336
\$399	5 X 9	\$399
\$342	6 X 4	\$342
\$308	6 X 6	\$308
\$320	6 X 7	\$320
\$347	6 X 9	\$347
\$177	1" SPACER	\$177
\$35	OMIT	\$35

9. Master Intake Valve (Circle Price of Models Desired):

9A: LEFT	MIV Relief Valve	10A: RIGHT
\$2590	MIV-M (Side Mount)	\$2590
\$3605	MIV-E (Side Mount)	\$3605
\$130	ABV(Air Bleeder Valve)	\$130
\$140	EXTENSION HARNESS	\$140
\$3700	MIV-E (Bottom Mount Front Operator)	\$3700
\$3700	MIV-E (Bottom Mount Rear Operator)	\$3700
\$136	ABV (Air Bleeder Valve)	\$136
\$140	Extension Harness	\$140

9B: LEFT	MIV Relief Valve	10B: RIGHT
Standard	Stainless Steel 2-1/2" NPT	Standard
N/C	Stainless Steel 2-1/2" NST	N/C
N/C	Stainless Steel 2-1/2" VIC	N/C

NOTE: MIV Bottom mount valves require a 6 Inch NPT or 5 or 6 Inch Victaulic connection to attach piping. Refer to SUCTION FLANGES Selection.

10. TANK SUCTION	
	S
OPEN (PLUG)	\$34
FLANGES	
BLANK	\$87
2-½ INCH NPT	\$119
3 INCH NPT	\$120
3 INCH NPT 4° ANGLE	\$142
4 INCH NPT	\$142
4 INCH NPT 4° ANGLE	\$194
CHECK VALVE ONLY	\$108
CHECK VALVE w/PLATE (Required w/4 Inch NPT Flange)	\$197

11. SUCTION FLANGES										
	LEFT					RIGHT				
	U	UT	W	WT	BOTTOM	V	VT	X	XT	BOTTOM
OPEN/BLANK	12	12	12	12		12	12	12	12	
2-1/2"	60	60	60	60		60	60	60	60	
2-1/2" Angled	67	67	67	67		67	67	67	67	
3"	94	94	94	94		94	94	94	94	
3" Angled	100	100	100	100		100	100	100	100	
Magnesium Anode w/flange	170	170	170	170		170	170	170	170	
Zinc Anode w/flange	112	112	112	112		112	112	112	112	
6" NPT					305					305
5" Victaulic					195					195
5" Victaulic Angled					188					188
6" Victaulic					595					595
6" Victaulic Angled					830					830

12. DISCHARGE FLANGES

NOTE: If a flange IS NOT selected for an opening, Hale will add BLANK flanges to the order.

												SPECIAL OPENINGS						
	B	C	H	K	L	M	N	O	P	Q	R	A	D	E	F	G	O	P
		3"						3"	3"								4"	4"
FLANGES (115 OR 2433 BOLT PATTERN UNLESS OTHERWISE INDICATED)																		
BLANK/OPEN	12	12	29	12	12	12	12	12	12	12	12	29	12	12	12	12	29	29
1-¼ INCH NPT (115)	60	60		60	60	60	60	60	60	60	60		60	60	60	60		
2 INCH NPT (115)	60	60		60	60	60	60	60	60	60	60		60	60	60	60		
2-½ INCH NPT	60	60	119	60	60	60	60	60	60	60	60	119	60	60	60	60	119	119
2-½ INCH NPT 4° ANGLE	67	67	140	67	67	67	67	67	67	67	67	140	67	67	67	67	140	140
3 INCH NPT	94	94	120	94	94	94	94	94	94	94	94	120	94	94	94	94	120	120
3 INCH NPT 4° ANGLE	100	100	140	100	100	100	100	100	100	100	100	140	100	100	100	100	140	140
4 INCH NPT (2433)			140									140					140	140
4 INCH NPT 4° ANGLE (2433)			194									194					194	194
TRV WITH 115 FLANGE	416	416		416	416	416	416	416	416	416	416		416	416	416	416		
TRV-L WITH 115 FLANGE	678	678		678	678	678	678	678	678	678	678		678	678	678	678		
MAGNESIUM ANODE W/FLANGE	170	170		170	170	170	170	170	170	170	170		170	170	170	170		
ZINC ANODE W/FLANGE	112	112		112	112	112	112	112	112	112	112		112	112	112	112		
DIRECT MOUNT FOR VALVE	N/C	N/C	N/C	N/C	N/C	N/C	N/C	N/C	N/C	N/C	N/C	N/C	N/C	N/C	N/C	N/C	N/C	N/C

12. Paint Option

DESCRIPTION	PRICE
<input type="checkbox"/> Black Primer	N/C
<input type="checkbox"/> Gray Primer	\$100
<input type="checkbox"/> Hale Black Finish Coat	\$450
<input type="checkbox"/> Hale Red Finish Coat	\$450

13. Pro Tech Warranty (FIRE SERVICE APPLICATIONS ONLY) (NET PRICE, NO DISCOUNTS)

<input type="checkbox"/> Standard 5 Year Warranty (Parts and Labor for the first two years, parts only years 3-5)	N/C
<input type="checkbox"/> Pro Tech Gold Warranty - 1 Additional Year of Labor	\$250
<input type="checkbox"/> Pro Tech Gold Warranty - 2 Additional Years of Labor	\$750
<input type="checkbox"/> Pro Tech Gold Warranty - 3 Additional Years of Labor	\$1500

SUCTION TUBE EXTENSIONS

XXX IDENTIFIES SERIES OF MATING FLATE FLANGES

ALL EXTENSIONS MAY BE USED ON LEFT OR RIGHT SIDE OF PUMPS AS NEEDED. PUMP FLANGE IS ON LEFT SIDE OF ALL ILLUSTRATIONS SHOWN

STANDARD
178-0063-00-0

115 BOTH SIDES

1/4" NPT DRAIN CONNECTION

OPTIONAL
178-0063-01-0 (CAST IRON)
178-0063-03-0 (BRONZE)

115 BOTH SIDES

12 HOLES 7/16 14UNC-28 X 8.25 BC

		TRUCK PANEL WIDTH "A"					
		70"	72"	74"	76"	78"	81"
SUCTION TUBE LENGTH	4"	DIMENSION "C"					
	w/o mIV						
	w/MIV	3.63	2.63	1.63			
6"	w/o MIV	2.25	1.25				
	w/MIV	5.63	4.63	3.63	2.63	1.63	
7"	w/o MIV	3.25	2.25	1.25			
	w/MIV	6.63	5.63	4.63	3.63	2.63	1.63
9"	w/o MIV	5.25	4.25	3.25	2.25	1.25	
	w/MIV	8.63	7.63	6.63	5.63	4.63	3.13

PUMP MODEL, CAPACITY, RATIO, DRIVE UNIT: _____

PRIMER: _____

PUMP BODY IS 48 INCHES WIDE

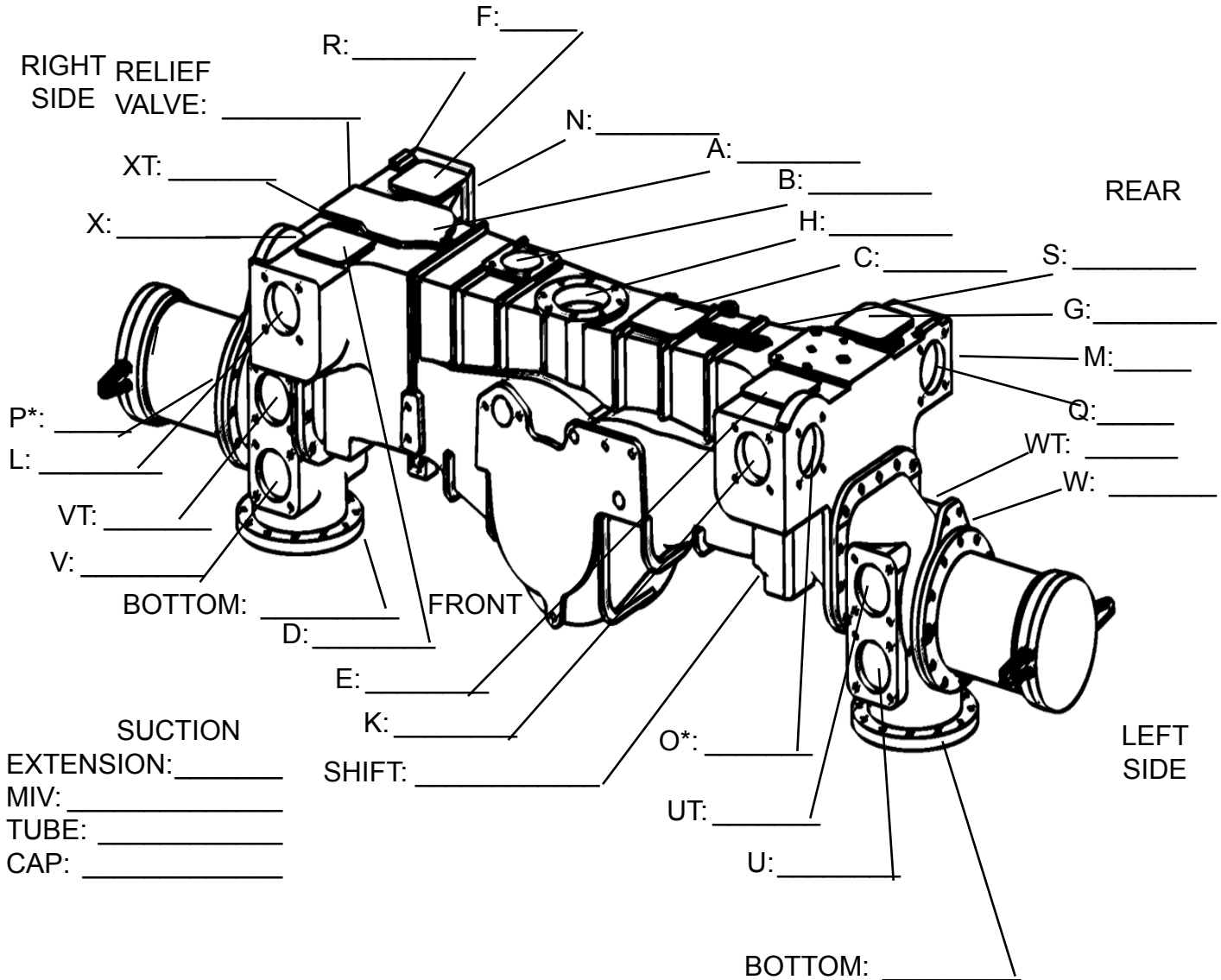
SUCTION

EXTENSION: _____

MIV: _____

TUBE: _____

CAP: _____



Hale Products, Inc. A Unit of IDEX Corp. 700 Spring Mill Avenue Conshohocken, PA 19428 USA
TEL: 610/825-6300 1-800/220-HALE FAX: 610/825-9615 www.haleproducts.com

Class 1 A Unit of IDEX Corp. 607 NW 27th Avenue Ocala FL 34475 USA
Tel: 352-629-5020 800-533-3569 Fax: 352-629-2902 www.class1.com