

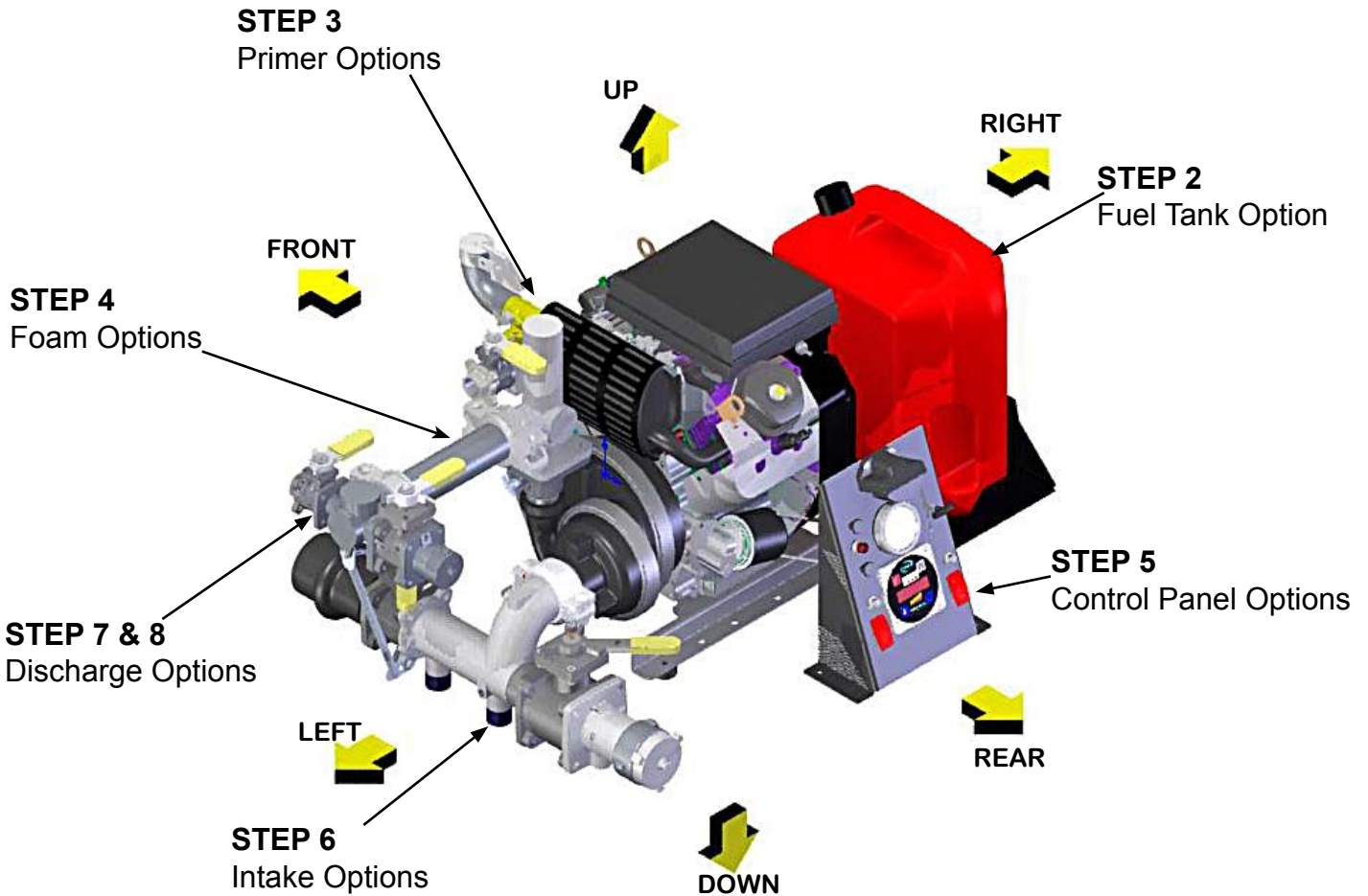
HALE 75/100 PORTABLE PRO KIT FIRE PUMP

Sales Order Number: _____ Date: _____
 Ordered By: _____ Customer: _____
 Hale Customer#: _____ Customer PO# _____
 Due Date: _____ Fire Dept: _____

Pump Configuration: Order Quantity _____ Units

HALE PORTABLE PRO KIT ORDERING INFORMATION

- Step 1:** Pick a Pump/Engine Combination
- Step 2:** Pick a Fuel Tank Option
- Step 3:** Pick a Primer Option
- Step 4:** Pick a Foam Option
- Step 5:** Pick a Control Panel Option
- Step 6:** Pick an Intake Option
- Step 7:** Pick a Discharge Option
- Step 8:** Pick an Auxiliary Discharge Manifold Tower



STEP 1

Pick a Pump End. Put an "X" next to the box with the chosen pump end.

PICK A PUMP/ENGINE COMBINATION**75 Pump/Engine Selection**

	75 Pump End	List Price
	HPX75-B11	\$3496
	HPX75-B18	\$4416
	HPX75-H20	\$5135
	HPX75-YD9	\$6056

100 Pump/Engine Selection

	100 Pump End	List Price
	HPX100-B18	\$4416
	HPX100-B23	\$6453
	HPX100-H20	\$5135
	HPX100-BD26	\$10149
	HPX100-LD26	\$9131

GAS ENGINES**B11** Briggs 11 HP, Air Cooled**B18** Briggs 18 HP, Air Cooled**B23** Briggs 23 HP, Air Cooled**H20** Honda 20 HP, Air Cooled**DIESEL ENGINES****YD9** Yanmar 9 HP, Air Cooled**BD26** Briggs 26 HP Liquid Cooled**LD26** Lombardini 26 HP Air Cooled**STEP 2****PICK A FUEL TANK**

(NOTE: Selections only available on B18, B23 and H20. B11 and YD9 come with fuel tanks mounted)

Pick a Fuel Tank. Put an "X" next to the box of the fuel tank chosen.

	DESCRIPTION	LIST PRICE
	No Tank	N/C
	2.5 Gallon Base Tank	\$441
	Remote tank with mounting bracket	\$300

2.5 Gallon Base Tank



Remote Tank with Mounting Bracket



STEP 3 SELECT PRIMER

Pick a Primer. Put an "X" next to the box of the primer chosen

	PRIMER TYPE	PRICE
	No Primer	N/C
	Hand Primer	\$185
	Exhaust Primer (only available on B18, B23, and H20 engines)	\$185
	Electric Primer (PVG control valve standard)	\$1045







STEP 4 SELECT FOAM SYSTEM

Pick a Foam System. Put an "X" next to the box of the foam system chosen

	PRIMER TYPE	PRICE
	No Foam System	N/C
	2.1A FoamLogix (side water level sensor)	\$3687
	Scotty Around the Pump (installed and mounted - includes manifold ports)	\$591

STEP 5 SELECT CONTROL PANEL (B11 panel already on pump)

Pick a Control Panel System. Put an "X" next to the price of the Control Panel chosen

	No Foam Discharge Gauge Only	No Foam Dual Gauge
	\$416 - P/N 168-0071-41-0	\$509 P/N 168-0071-50-0
		
	2.1A Foam Discharge Gauge Only	2.1A Foam Dual Gauge
	\$467 - P/N 168-0071-42-0	\$551 - P/N 168-0071-47-0
		
	Diesel Units No Foam Panel (BD26 only)	Diesel Units 2.1A Foam Panel (BD26 only)
	\$588 - P/N 168-0071-73-0	\$622 - P/N 168-0071-72-0
		

CLASS 1® • 607 NW 27th Avenue • Ocala, FL 34475 • TEL: 352/629-5020 • 352-629-2902 • www.

HALE PRODUCTS, INC. • Fire Suppression Division • 700 Spring Mill Avenue • Conshohocken, PA 19428 • TEL: 610-825-6300 • FAX: 610-825-6440

NOTE: Hale reserves the right to make improvements in design and materials and changes in price without notice

ALL PRICES ARE U.S. DOLLARS F.O.B. OCALA, FL USA
Sheet 3 of 6, © 2009 Hale Products Inc, Printed in USA

STEP 6 SELECT INTAKE (SUCTION MANIFOLD)

Put an "X" next to the Intake (Suction Manifold) chosen. Check off connection needed

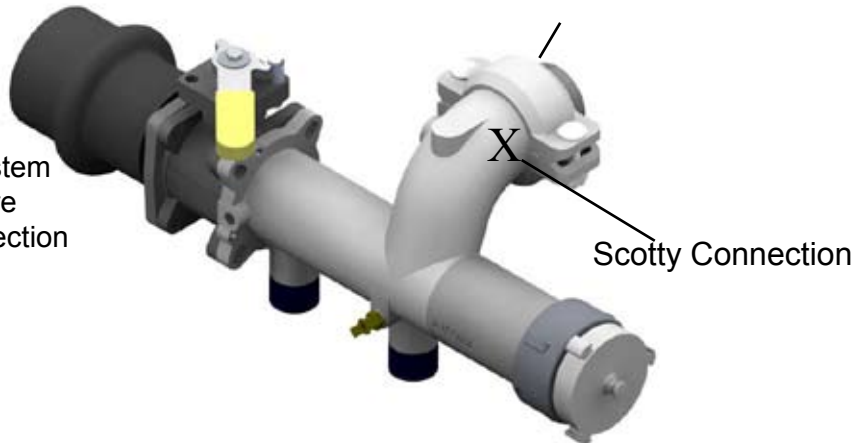
DESCRIPTION	P/N	LIST PRICE
Without 2.5" Inlet Valve	178-8000-03-0-50	\$1150

Tank Connection Option

- Hump Hose for 2-1/2" Pipe Nipple (P/N 340-2110-32-0-50) \$69
- 3.5" ID hose for 3" Hose Connection (P/N 340-2110-31-0-50) STD
- Scotty Foam Connection*
 - None N/C
 - 3/4" Male Hose \$38
 - 3/4" Male NPT \$38
 - 3/4" Female NPT \$38
 - 3/4" Female NPT \$38
 - 1/2" Male NPT \$38



- 3" extension \$95
- Small Extension STD



*NOTE: If Hale mounted Scotty System is selected in Step 4 connections are included and no Scotty Foam connection needs to be selected.

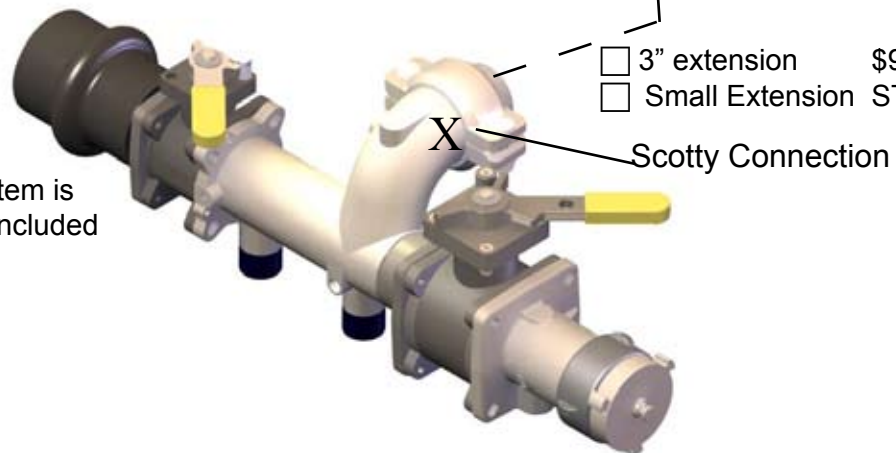
DESCRIPTION	P/N	LIST PRICE
With 2.5" Inlet Valve	178-8000-04-0-50	\$1500

Tank Connection Option

- Hump Hose for 2-1/2" Pipe Nipple (P/N 340-2110-32-0-50) \$69
- 3.5" ID hose for 3" Hose Connection (P/N 340-2110-31-0-50) STD
- Scotty Foam Connection*
 - None N/C
 - 3/4" Male Hose \$38
 - 3/4" Male NPT \$38
 - 3/4" Female NPT \$38
 - 3/4" Female NPT \$38
 - 1/2" Male NPT \$38



- 3" extension \$95
- Small Extension STD



*NOTE: If Hale mounted Scotty System is selected in Step 4 connections are included and no Scotty Foam connection needs to be selected.

STEP 7 SELECT A DISCHARGE MANIFOLD AND VALVE CONFIGURATION

Put an "X" in the box next to the Discharge Manifold chosen. Check off options needed

7A Mini-Discharge Manifold without 2.1A Foam Logix \$1205

(If a Scotty foam system is ordered, this manifold will include the necessary connection ports (not pictured))

Scotty Manifold Connection Block

Scotty Connection (Supplied if Scotty System selected in Step 4) Placement on manifold based off selection

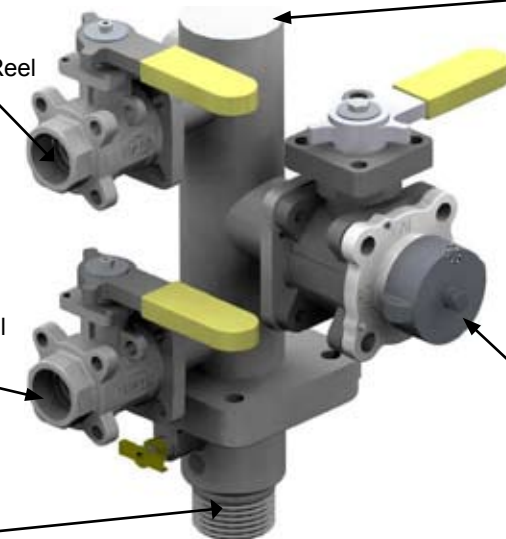
- None N/C
- 3/4" Male Hose \$38
- 3/4" Male NPT \$38
- 3/4" Female NPT \$38
- 1/2" Female NPT \$38
- 1/2" Male NPT \$38

Main Discharge Check Valve Option

- None (Standard) N/C
- Check Valve \$79

1.0" Hose Reel Standard

1.0" Tank Fill Standard



Discharge "B" (Check one)

- 1.0 Valve \$179
- 1.0 Female NPT Port \$ 60
- 1.5 Valve \$316
- 1.5 Female NPT Port \$ 60
- None (Standard) N/C

Select Valve Orientation

- Straight Out N/C
- 90° to Front \$79
- 90° to Rear \$79
- 90° to Right \$79
- 90° to Left \$79

Fittings (NH comes with caps)

- NPT N/C
- NH (N/A 2.0 Valve) \$53

Discharge A (check one)

- 1.5 Valve Standard N/C
- 2.0 Valve (NPT only) \$98

Fittings (NH Comes with caps) (Check one)

- NPT N/C
- NH (N/A 2.0 Valve) \$53

7B Discharge Manifold with 2.1A FoamLogix (pictured below) \$1540

Discharge Manifold without 2.1A FoamLogix \$1441
(discharges look just like below diagram)

Discharge "D" (Check one)

- None (Standard) N/C
- 1.0 Valve \$179
- 1.0 Female NPT Port \$ 60
- 1.5 Valve \$316
- 1.5 Female NPT Port \$ 60
- 2.0 Valve (NPT only) \$359
- Auxiliary Manifold

*See Section 8

Select Valve Orientation

- Straight Out N/C

Fittings (NH comes with caps)

- NPT N/C
- NH (N/A 2.0 Valve) \$53

Discharge "C" (Check one)

- 1.0 Valve \$179
- 1.0 Female NPT Port \$ 60
- 1.5 Valve \$316
- 1.5 Female NPT Port \$ 60
- 2.0 Valve (NPT only) \$359
- None (Standard) N/C

Select Valve Orientation

- Straight Out N/C
- 90° to Front \$79
- 90° to Rear \$79
- 90° to Down \$79
- 90° Up \$79

Fittings (NH comes with caps)

- NPT N/C
- NH (N/A 2.0 Valve) \$53

1.0" Tank Fill

1.0" Hose Reel

1.5" Discharge

Main Discharge Check Valve Option

- None (Standard) N/C
- Check Valve \$79

Discharge "A" (Check one)

- 1.0 Valve \$179
- 1.0 Female NPT Port \$ 60
- 1.5 Valve \$316
- 1.5 Female NPT Port \$ 60
- None (Standard) N/C

Fittings (NH comes with caps)

- NPT N/C
- NH (N/A 2.0 Valve) \$53

Discharge "B" (Check one)

- 1.0 Valve \$179
- 1.0 Female NPT Port \$ 60
- 1.5 Valve \$316
- 1.5 Female NPT Port \$ 60
- None (Standard) N/C

Select Valve Orientation

- Straight Out N/C
- 90° to Front \$79
- 90° to Rear \$79
- 90° to Left \$79
- 90° to Right \$79

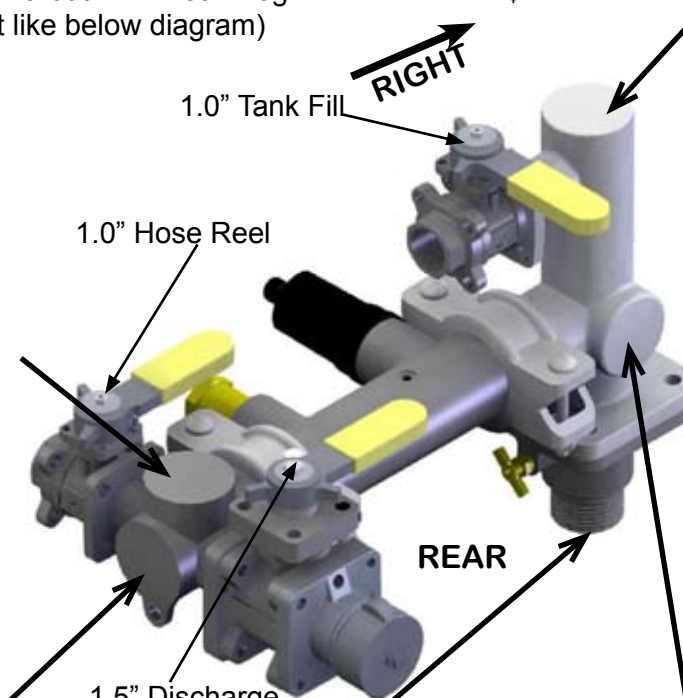
Fittings (NH comes with caps)

- NPT N/C
- NH (N/A 2.0 Valve) \$53

Scotty Manifold Connection Block

Scotty Connection (Supplied if Scotty System selected in Step 4) Placement on 8-1/2" long pipe

- None N/C
- 3/4" Male Hose \$38
- 3/4" Male NPT \$38
- 3/4" Female NPT \$38
- 1/2" Female NPT \$38
- 1/2" Male NPT \$38



STEP 8

SELECT AN AUXILIARY DISCHARGE MANIFOLD TOWER

(sits on top of Port "D")

8 Auxiliary Discharge Manifold Tower \$330

Discharge "G" (Check one)

- 1.0 Valve \$179
- 1.0 Female NPT Port \$ 60
- 1.5 Valve \$316
- 1.5 Female NPT Port \$60
- 2.0 Valve (NPT only)\$359
- None (Standard) N/C

Fittings (NH comes with caps)

- NPT N/C
- NH (N/A 2.0 Valve) \$53

Discharge "E" (Check one)

- 1.0 Valve \$179
- 1.0 Female NPT Port \$ 60
- 1.5 Valve \$316
- 1.5 Female NPT Port \$ 60
- 2.0 Valve (NPT only)\$359
- None (Standard) N/C

Select Valve Orientation

- Straight Out N/C
- 90° to Front \$79
- 90° to Rear \$79

Fittings (NH comes with caps)

- NPT N/C
- NH (N/A 2.0 Valve) \$53

Discharge "F" (Check one)

- 1.0 Valve \$179
- 1.5 Valve \$316
- 2.0 Valve (NPT only)\$359
- None (Standard) N/C

Fittings (NH comes with caps)

- NPT N/C
- NH (N/A 2.0 Valve) \$53

