

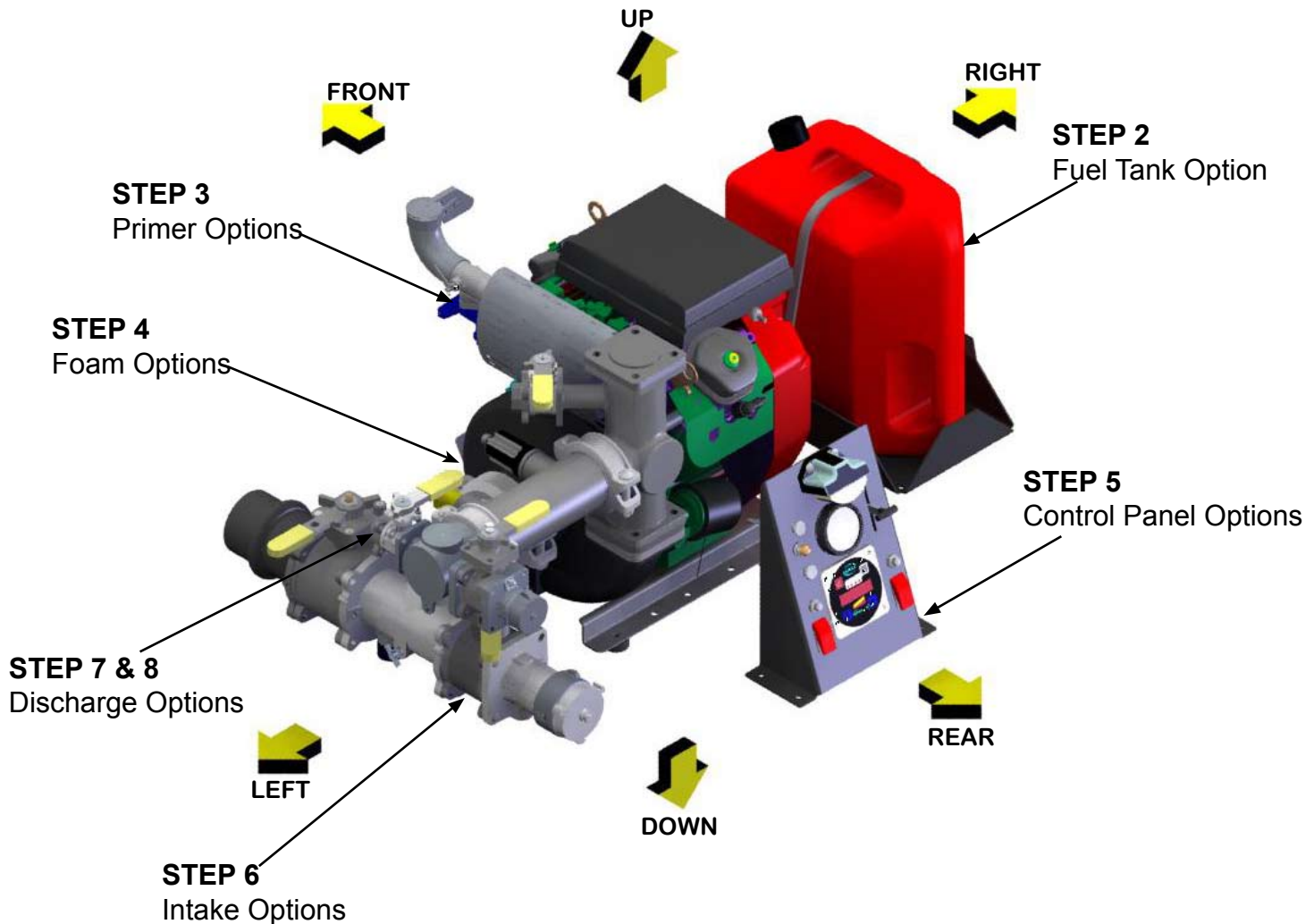
HALE 200/300/400 PORTABLE PRO KIT FIRE PUMP

Sales Order Number: _____ Date: _____
 Ordered By: _____ Customer: _____
 Hale Customer#: _____ Customer PO# _____
 Due Date: _____ Fire Dept: _____

Pump Configuration: Order Quantity _____ Units

HALE PORTABLE PRO KIT ORDERING INFORMATION

- Step 1:** Pick a Pump/Engine Combination
- Step 2:** Pick a Fuel Tank Option
- Step 3:** Pick a Primer Option
- Step 4:** Pick a Foam Option
- Step 5:** Pick a Control Panel Option
- Step 6:** Pick an Intake Option
- Step 7:** Pick a Discharge Option
- Step 8:** Pick an Auxiliary Discharge Manifold Tower



STEP 1 PICK A PUMP/ENGINE COMBINATION

Pick a Pump End. Put an "X" next to the box with the chosen pump end.

	HP 200 Pump/ Engine Selection	List Price
	HPX200-B11	\$3215
	HPX200-B18	\$3237
	HPX200-B23	\$5714
	HPX200-H20	\$4346
	HPX200-YD9	\$5438
	HPX200-BD26	\$9973

	HP 300 Pump/ Engine Selection	List Price
	HPX300-B18	\$3237
	HPX300-B23	\$5714
	HPX300-H20	\$4346
	HPX300-BD26	\$9973

	HP 400 Pump/ Engine Selection	List Price
	HPX400-B18	\$3237
	HPX400-B23	\$5714
	HPX400-H20	\$4346

GAS ENGINES

B11 Briggs 11 HP, Air Cooled

B18 Briggs 18 HP, Air Cooled

B23 Briggs 23 HP, Air Cooled

H20 Honda 20 HP, Air Cooled

DIESEL ENGINES

YD9 Yanmar 9 HP, Air Cooled

BD26 Briggs 26 HP Liquid Cooled

STEP 2 PICK A FUEL TANK

(NOTE: Selections only available on B18, B23 and H20. B11 and YD9 come with fuel tanks mounted)

Pick a Fuel Tank. Put an "X" next to the box of the fuel tank chosen.

	DESCRIPTION	LIST PRICE
	No Tank	N/C
	2.5 Gallon Base Tank	\$441
	Remote tank with mounting bracket	\$300

2.5 Gallon Base Tank



Remote Tank with Mounting Bracket



STEP 3 SELECT PRIMER

Pick a Primer. Put an "X" next to the box of the primer chosen

	PRIMER TYPE	PRICE
	No Primer	N/C
	Hand Primer	\$185
	Exhaust Primer (only available on B18, B23, and H20 engines)	\$185
	Electric Primer (PVG Control Valve Standard)	\$1045







STEP 4 SELECT FOAM SYSTEM

Pick a Foam System. Put an "X" next to the box of the foam system chosen

	PRIMER TYPE	PRICE
	No Foam System	N/C
	2.1A FoamLogix (side water level sensor)	\$3687
	Scotty Around the Pump (installed and mounted - includes manifold ports)	\$591

STEP 5 SELECT CONTROL PANEL (B11 panel already on pump)

Pick a Control Panel System. Put an "X" next to the price of the Control Panel chosen

	No Foam Discharge Gauge Only	No Foam Dual Gauge
	\$416 (P/N 168-0071-41-0)	\$509 (P/N 168-0071-50-0)
		
	2.1A Foam Discharge Gauge Only	2.1A Foam Dual Gauge
	\$467 (P/N 168-0071-42-0)	\$551 (P/N 168-0071-47-0)
		
	Diesel Units No Foam Panel (BD26 only)	Diesel Units 2.1A Foam Panel (BD26 only)
	\$588 (P/N 168-0071-73-0)	\$622 (P/N 168-0071-72-0)
		

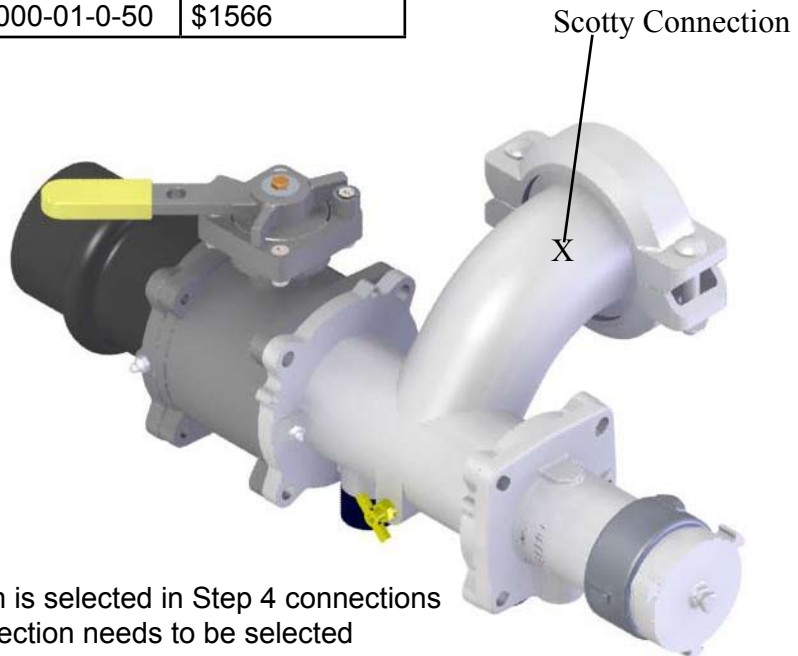
STEP 6 SELECT INTAKE (SUCTION MANIFOLD)

Put an "X" next to the Intake (Suction Manifold or Scotty Manifold) chosen. Check off connection needed

DESCRIPTION	P/N	LIST PRICE
Without 2.5" Inlet Valve	178-8000-01-0-50	\$1566

Tank Connection Option

- 2-1/2" Male NPT connection
option w/Hump Hose
(P/N 340-2110-29-0-50) \$69
- 3.5" ID Hose for 3.0" hose
connection
(P/N 340-2110-30-0-50) STD
- Scotty Foam Connection*
 - None N/C
 - 3/4" Male Hose \$38
 - 3/4" Male NPT \$38
 - 3/4" Female NPT \$38
 - 1/2" Female NPT \$38
 - 1/2" Male NPT \$38

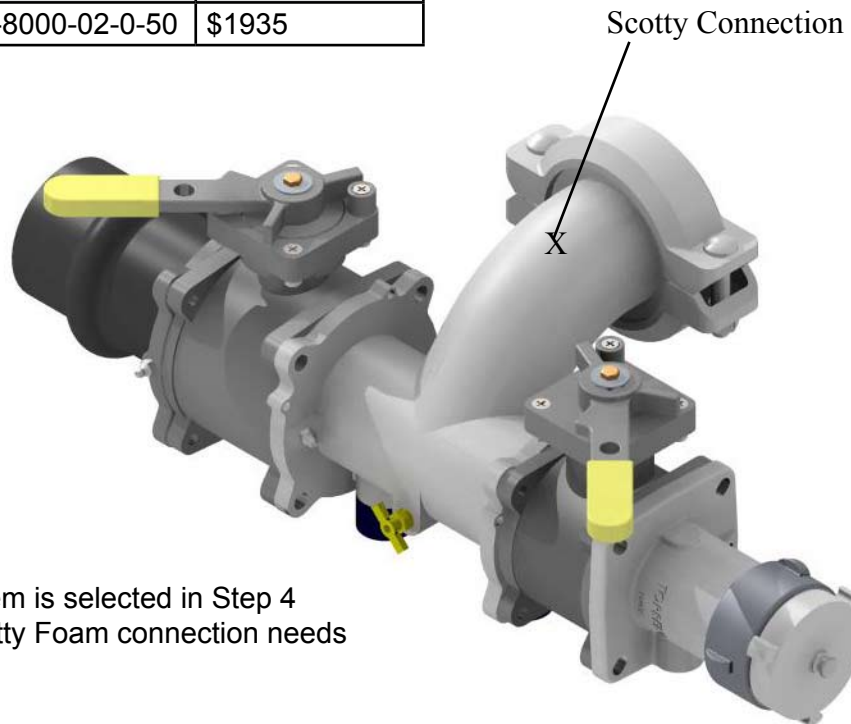


*NOTE: If Hale mounted Scotty System is selected in Step 4 connections are included and no Scotty Foam connection needs to be selected

DESCRIPTION	P/N	LIST PRICE
With 2.5" Inlet Valve	178-8000-02-0-50	\$1935

Tank Connection Option

- 2-1/2" Male NPT connection
option w/Hump Hose
(P/N 340-2110-29-0-50) \$69
- 3.5" ID Hose for 3.0" hose
connection
(P/N 340-2110-30-0-50) STD
- Scotty Foam Connection*
 - None N/C
 - 3/4" Male Hose \$38
 - 3/4" Male NPT \$38
 - 3/4" Female NPT \$38
 - 1/2" Female NPT \$38
 - 1/2" Male NPT \$38



*NOTE: If Hale mounted Scotty System is selected in Step 4 connections are included and no Scotty Foam connection needs to be selected

STEP 7

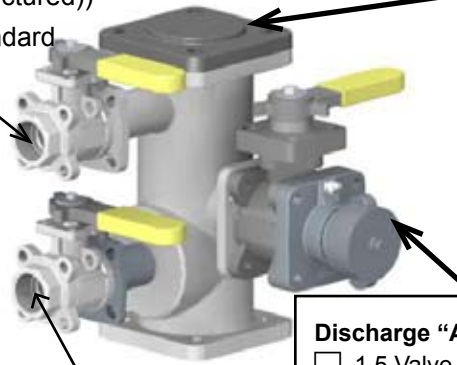
SELECT A DISCHARGE MANIFOLD AND VALVE CONFIGURATION

Put an "X" in the box next to the Discharge Manifold chosen. Check off options needed

7A Mini-Discharge Manifold without 2.1A FoamLogix \$1512
 (if a Scotty foam system is ordered, this manifold will include the necessary connection ports (not pictured))

1.0 Hose Reel Standard

- Scotty Manifold Connection Block**
 Scotty Connection (Supplied if Scotty System selected in Step 4) Placement on manifold based off selection
- None N/C
 - 3/4" Male Hose \$38
 - 3/4" Male NPT \$38
 - 3/4" Female NPT \$38
 - 1/2" Female NPT \$38
 - 1/2" Male NPT \$38



1.0 Tank Fill Standard

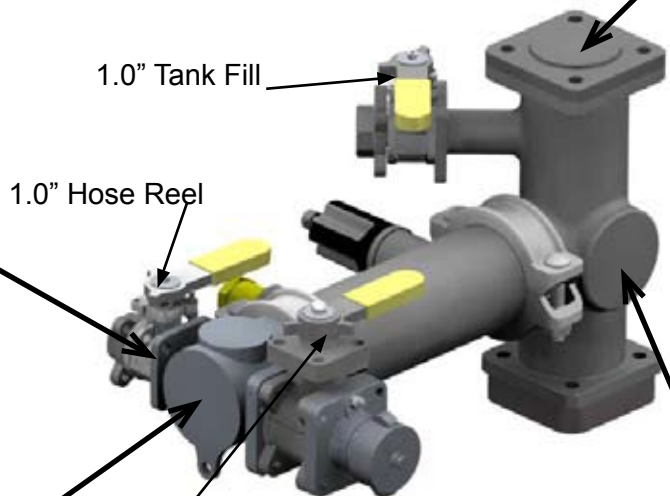
- Discharge "A" (Check one)**
- 1.5 Valve Standard N/C
 - 2.0 Valve (NPT only) \$98
- Fittings (NH comes with caps)**
- NPT N/C
 - NH (1.5" Valve only) \$53

- Discharge "B" (Check one)**
- 1.0 Valve \$179
 - 1.0 Female NPT Port \$60
 - 1.5 Valve \$316
 - 1.5 Female NPT Port \$60
 - 2.0 Valve (NPT only) \$359
 - 2.0 Female NPT Port \$88
 - 2.5 Female NPT Port \$145
 - None (Standard) N/C
- Select Valve Orientation**
- Straight Out N/C
 - 90° to Front \$79
 - 90° to Rear \$79
 - 90° to Left \$79
 - 90° to Right \$79
- Fittings (NH comes with caps)**
- NPT (N/A 2.0 Valve) N/C
 - NH \$53

7B LOW FLOW FOAM APPLICATIONS

Discharge Manifold with 2.1A FoamLogix (pictured below) \$1540
 Discharge Manifold without 2.1A FoamLogix (pictured below) \$1441
 (discharges look just like below diagram)

- Discharge "D" (Check one)**
- None (Standard) N/C
 - 1.0 Valve \$179
 - 1.0 Female NPT Port \$60
 - 1.5 Valve \$316
 - 1.5 Female NPT Port \$60
 - 2.0 Valve (NPT only) \$359
 - Auxiliary Manifold
- *See Section 8
- Select Valve Orientation**
- Straight Out N/C
- Fittings (NH comes with caps)**
- NPT N/C
 - NH (N/A 2.0 Valve) \$53



1.0" Tank Fill

1.0" Hose Reel

1.5" Discharge

- Discharge "B" (Check one)**
- 1.0 Valve \$179
 - 1.0 Female NPT Port \$60
 - 1.5 Valve \$316
 - 1.5 Female NPT Port \$60
 - 2.0 Valve (NPT only) \$359
 - 2.0 Female NPT Port \$88
 - 2.5 Female NPT Port \$145
 - None (Standard) N/C
- Select Valve Orientation**
- Straight Out N/C
 - 90° to Front \$79
 - 90° to Rear \$79
 - 90° to Left \$79
 - 90° to Right \$79
- Fittings (NH comes with caps)**
- NPT N/C
 - NH (N/A 2.0 Valve) \$53

- Discharge "C" (Check one)**
- 1.0 Valve \$179
 - 1.0 Female NPT Port \$60
 - 1.5 Valve \$316
 - 1.5 Female NPT Port \$60
 - 2.0 Valve (NPT only) \$359
 - 2.0 Female NPT Port \$88
 - 2.5 Female NPT Port \$145
 - None (Standard) N/C
- Select Valve Orientation**
- Straight Out Only N/C
 - 90° Up \$79
 - 90° Down \$79
 - 90° Front \$79
 - 90° Rear \$79
- Fittings (NH comes with caps)**
- NPT N/C
 - NH (N/A 2.0 Valve) \$53

- Scotty Manifold Connection Block**
 Scotty Connection (Supplied if Scotty System selected in Step 4) Placement on 8-1/2" long pipe
- None N/C
 - 3/4" Male Hose \$38
 - 3/4" Male NPT \$38
 - 3/4" Female NPT \$38
 - 1/2" Female NPT \$38
 - 1/2" Male NPT \$38

- Discharge "A" (Check one)**
- 1.0 Valve \$179
 - 1.5 Valve \$316
 - 2.0 Valve (NPT only) \$359
 - 2.5 Valve Option \$598
 - None (Standard) N/C
- Fittings (NH comes with caps)**
- NPT N/C
 - NH (N/A 2.0 Valve) \$53

STEP 7

SELECT A DISCHARGE MANIFOLD AND VALVE CONFIGURATION, continued

7C LOW FOAM DISCHARGE MANIFOLD (HP200 ONLY)

Discharge Manifold with 2.1A FoamLogix (pictured below) \$1540

Discharge "D" (Check one)

- None (Standard) N/C
- 1.0 Valve \$179
- 1.0 Female NPT Port \$ 60
- 1.5 Valve \$316
- 1.5 Female NPT Port \$ 60
- 2.0 Valve (NPT only) \$359
- Auxiliary Manifold

Select Valve Orientation

- Straight Out N/C

Fittings (NH comes with caps)

- NPT N/C
- NH (N/A 2.0 Valve) \$ 53

Discharge "C" (Check one)

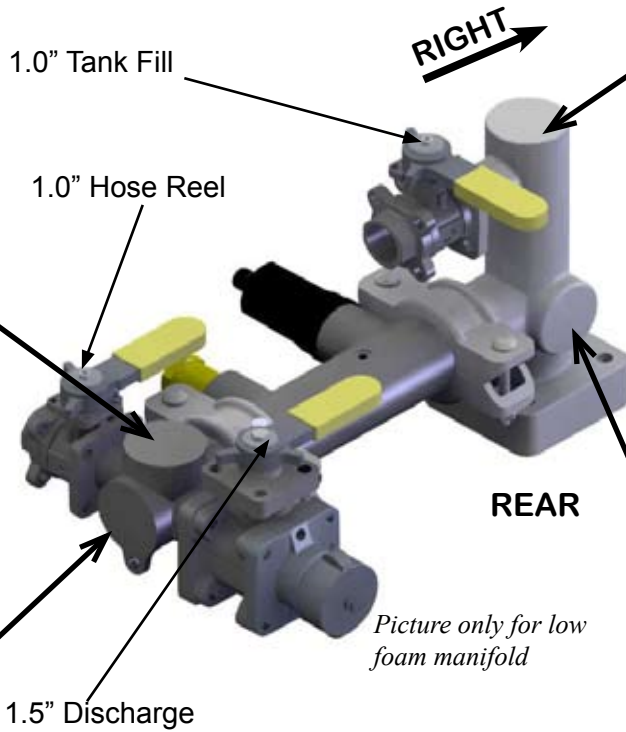
- 1.0 Valve \$179
- 1.0 Female NPT Port \$ 60
- 1.5 Valve \$316
- 1.5 Female NPT Port \$ 60
- 2.0 Valve (NPT only) \$359
- None (Standard) N/C

Select Valve Orientation

- Straight Out N/C
- 90° to Front \$ 79
- 90° to Rear \$ 79
- 90° to Down \$ 79
- 90° Up \$ 79

Fittings (NH comes with caps)

- NPT N/C
- NH (N/A 2.0 Valve) \$ 53



Discharge "B" (Check one)

- 1.0 Valve \$179
- 1.0 Female NPT Port \$ 60
- 1.5 Valve \$316
- 1.5 Female NPT Port \$ 60
- 2.0 Valve (NPT only) \$359
- None (Standard) N/C

Select Valve Orientation

- Straight Out N/C
- 90° to Front \$ 79
- 90° to Rear \$ 79
- 90° to Left \$ 79
- 90° to Right \$ 79

Fittings (NH comes with caps)

- NPT N/C
- NH (N/A 2.0 Valve) \$ 53

Discharge "A" (Check one)

- 1.0 Valve \$179
- 1.5 Valve \$316
- 2.0 Valve (NPT only) \$359
- None (Standard) N/C

Fittings (NH comes with caps)

- NPT N/C
- NH (N/A 2.0 Valve) \$ 53

STEP 8

SELECT AN AUXILIARY DISCHARGE MANIFOLD TOWER

(sits on top of Port "D")

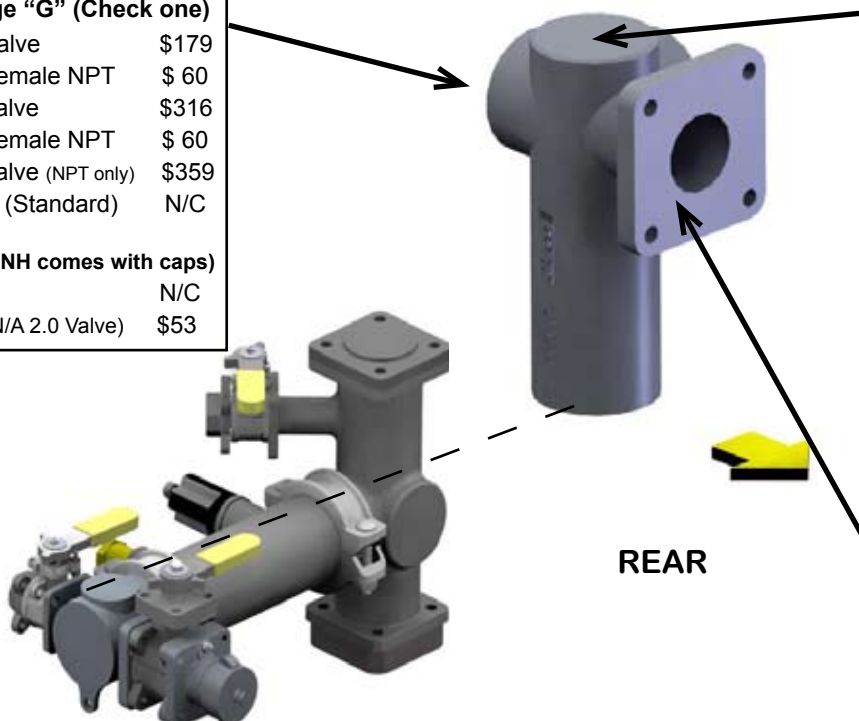
8 Auxiliary Discharge Manifold Tower \$330

Discharge "G" (Check one)

- 1.0 Valve \$179
- 1.0 Female NPT \$ 60
- 1.5 Valve \$316
- 1.5 Female NPT \$ 60
- 2.0 Valve (NPT only) \$359
- None (Standard) N/C

Fittings (NH comes with caps)

- NPT N/C
- NH (N/A 2.0 Valve) \$ 53



Discharge "E" (Check one)

- 1.0 Valve \$179
- 1.0 Female NPT \$ 60
- 1.5 Valve \$316
- 1.5 Female NPT \$ 60
- 2.0 Valve (NPT only) \$359
- None (Standard) N/C

Select Valve Orientation

- Straight Out N/C
- 90° to Front \$ 79
- 90° to Rear \$ 79
- 90° Up \$ 79

Fittings (NH comes with caps)

- NPT N/C
- NH (N/A 2.0 Valve) \$ 53

Discharge "F" (Check one)

- 1.0 Valve \$179
- 1.5 Valve \$316
- 2.0 Valve (NPT only) \$359
- None (Standard) N/C

Fittings (NH comes with caps)

- NPT N/C
- NH (N/A 2.0 Valve) \$ 53