

CUSTOMER ORDER SPECIFICATION FOR HALE PSD INVERTED GEAR BOX FIRE PUMP

Customer Name: _____ Customer P.O. NO.: _____
 Order Prepared By: _____ Hale Customer NO.: _____ Date: _____
 Requested Delivery Date: _____
 Fire Dept. Name: _____ City: _____ State: _____
 Max. Elevation for Pump Test: _____ FT Panel Width: _____ IN.
 Reference Specifications: _____
 Engine: Mfr: _____ Model: Horsepower: _____ @ _____ RPM
 Full Load Governed RMP: _____ Peak Torque: _____ LB/FT @ _____ RPM
 Application Confirmed With : _____
 Truck Transmission: Manufacturer: _____ Model: _____
 PTO: Model _____ , % _____ , Torque Rating _____ , Rotation: _____

1. Pump Model (Circle Price of Model Desired):

FLOW GPM (LPM)	750 (3000)	1000 (4000)	1250 (5000)	1500* (6000)	Material
PUMP MODEL (METRIC)	75 (300M)	100 (400M)	125 (500M)	150 (600M)	
PSD	\$10,130	\$10,130	\$10,130	\$10,627	Cast Iron
PSD	CONTACT FACTORY				Bronze
*Available in engine rotation only. Suction must be straight pipe without Butterfly valve					

1A. Pump Light Kit Option (Check Applicable Box(es)):

- NFPA Midship Light Kit \$156
- No Light Kit N/C

1B. Pump Manual Option (Check Applicable Box(es)):

- Paper Manual version \$36
- CD Version (2) N/C

1C. Panel Placard Option (Check Applicable Box(es)):

- Stamped S/N Placard \$29
- No Panel Placard N/C

2. NFPA Rating: Options Available

- None N/C
- Provided \$200
- Dual Rating (US GPM/LPM) \$290

3. Pump Ratio (Circle desired ratio) N/C

RATIO	DESIGNATION
1.40	-14
1.59	-15
1.81	-18
1.97	-20
2.16	-21
2.37	-23

4. Gearbox Position and Mounting

- Inverted Gear Box (Standard) N/C
- Add Mounting Bracket \$550

5. Pump Rotation (Check one Box)

- Engine Rotation N/C
- Opposite Engine Rotation N/C
(not available in 1500 GPM)

6. Suction Ends (Check One Box):

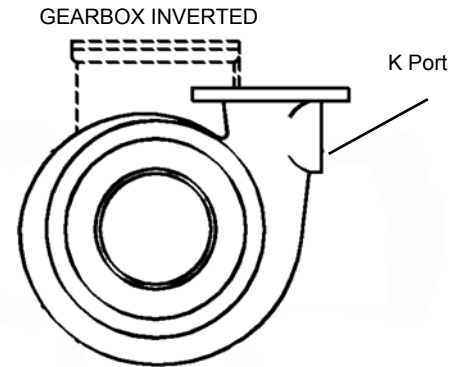
- 6" VICTAULIC STD

NOTE: Hale reserves the right to make improvements in design and materials and changes in price without notice
 ALL PRICES ARE U.S. DOLLARS F.O.B. CONSHOHOCKEN, PA 19428

7. Volute Side Discharge (Check One Box):

CONNECTION K	Cast Iron
BLANK/OPEN	12
2-½ INCH NPT	60
3 INCH NPT	94
TRV w/115 Flange	416
TRV-L w/115 Flange	678
Magnesium Anode w/115 Flange	170
Zinc Anode w/115 Flange	112

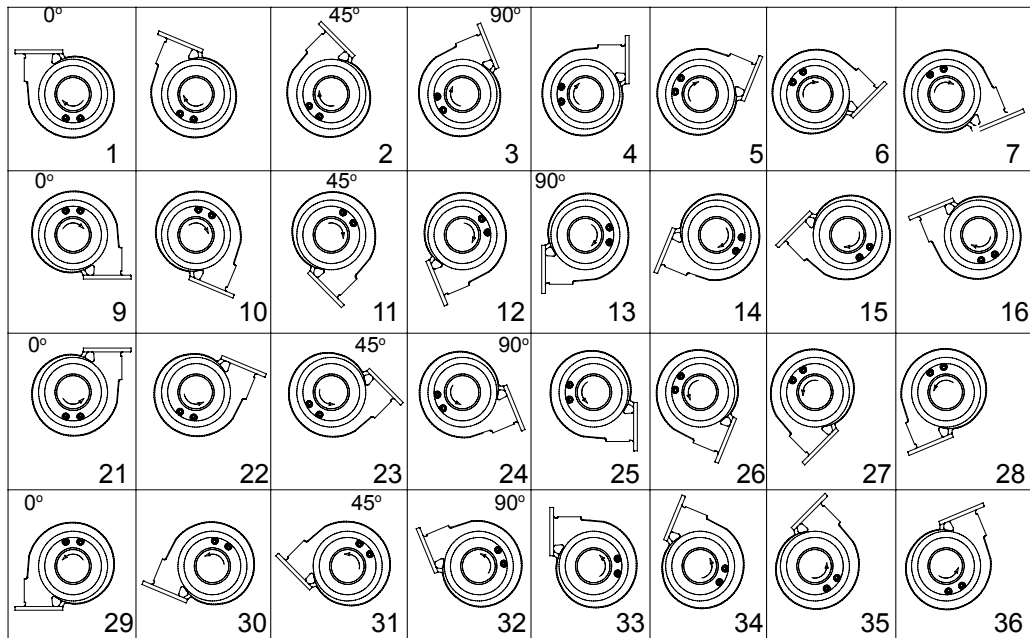
GEARBOX POSITION



8. Volute Position (Circle Position Desired):

- Vertical Position (1 or 21) N/C
- Other Postions \$100

ENGINE ROTATION
POSSIBLE CASE
POSITIONS (22-1/2°
INCREMENTS



9. Pro Tech Warranty (FIRE SERVICE APPLICATIONS ONLY) (NET PRICE, NO DISCOUNTS)

- Standard 5 Year Warranty (Parts and Labor for the first two years, parts only years 3-5) N/C
- Pro Tech Extended Warranty - 1 Additional Year of Labor \$250
- Pro Tech Extended Warranty - 2 Additional Years of Labor \$750
- Pro Tech Extended Warranty - 3 Additional Years of Labor \$1500

FOR ADDITIONAL OR LOOSE ACCESSORIES, VALVES, FLANGES, SEE SEPARATE ACCESSORY PAGE PRICE LIST AND ATTACH TO PUMP ORDER



Hale Products, Inc. A Unit of IDEX Corp. 700 Spring Mill Avenue Conshohocken, PA 19428 USA
 TEL: 610/825-6300 1-800/220-HALE FAX: 610/825-9615 www.haleproducts.com

Class 1 A Unit of IDEX Corp. 607 NW 27th Avenue Ocala FL 34475 USA
 Tel: 352-629-5020 800-533-3569 Fax: 352-629-2902 www.class1.com