

**CUSTOMER ORDER SPECIFICATION FOR HALE MGA SPLIT SHAFT/PTO GEARBOX**

Customer Name: \_\_\_\_\_ Customer P.O. NO.: \_\_\_\_\_  
 Order Prepared By: \_\_\_\_\_ Hale Customer NO.: \_\_\_\_\_ Date: \_\_\_\_\_  
 Fire Dept. Name: \_\_\_\_\_ City: \_\_\_\_\_ State: \_\_\_\_\_  
 Requested Delivery Date: \_\_\_\_\_ Max. Elevation for Pump Test: \_\_\_\_\_ FT  
 Reference Specifications: \_\_\_\_\_

Engine: Mfr: \_\_\_\_\_ Model: \_\_\_\_\_ Horsepower: \_\_\_\_\_ @ \_\_\_\_\_ RPM  
 Full Load Governed RPM: \_\_\_\_\_ Peak Torque: \_\_\_\_\_ LB/FT @ \_\_\_\_\_ RPM  
 Application confirmed with: (for applications not on list) \_\_\_\_\_  
 Truck Transmission: Manufacturer: \_\_\_\_\_ Model: \_\_\_\_\_  
 PTO: Model \_\_\_\_\_, % \_\_\_\_\_ Torque Rating \_\_\_\_\_, Rotation \_\_\_\_\_

**1. Model (Check One Box):**

PART NUMBER	MODEL	MGA
504-0400-00-0	SPLIT DRIVE LINE	\$7,177
504-0400-10-0	PTO GEARBOX	\$6,399

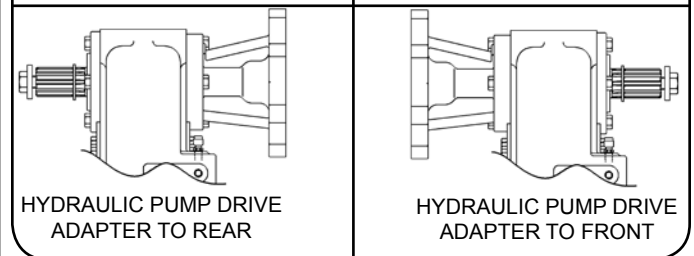
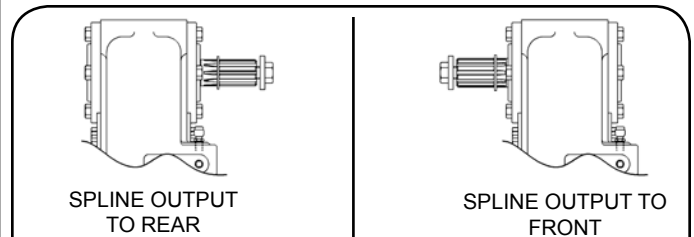
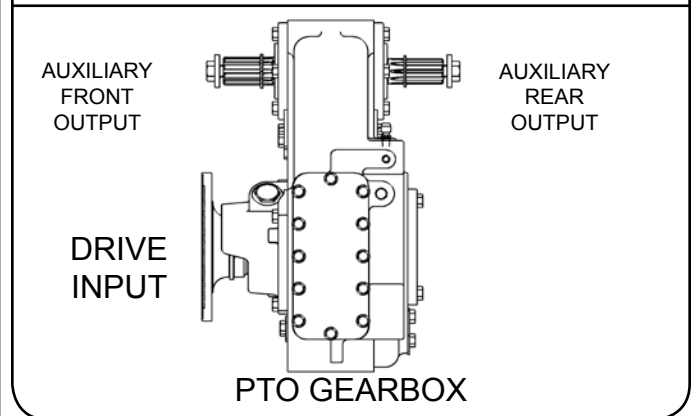
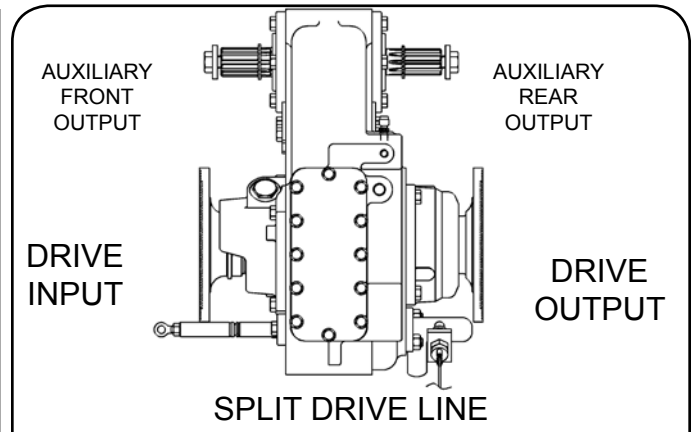
**2. Drive Unit Ratio (Check One Box):**

N/C

RATIO		
1.00	-10	
1.27	-12	
1.71	-17	
1.92	-19	
2.18	-21	
2.67	-26	
3.00	-30	

**3. Auxiliary Output Option (Check One Box):**

- 1-1/2-10 SPLINE TO REAR and 1-3/8-10 SPLINE TO FRONT (02) N/C
- 1-3/8-10 SPLINE TO REAR and 1-1/2-10 SPLINE TO FRONT (01) N/C
- 1-1/2-10 SPLINE TO REAR ONLY N/C
- 1-3/8-10 SPLINE TO REAR ONLY N/C
- 1-1/2-10 SPLINE TO FRONT ONLY N/C
- 1-3/8-10 SPLINE TO FRONT ONLY N/C
- 1-1/2-10 SPLINE TO FRONT and HYDRAULIC PUMP DRIVE ADAPTER TO REAR \$1710
- 1-1/2-10 SPLINE TO REAR and HYDRAULIC PUMP DRIVE ADAPTER TO FRONT \$1710



NOTE: Hale reserves the right to make improvements in design and materials and changes in price without notice  
 ALL PRICES ARE U.S. DOLLARS F.O.B. CONSHOHOCKEN, PA 19428  
 Bulletin 928-2009, Sheet 1 of 2, © 2009 Hale Products Inc, Printed in USA

**4. Gearbox Position (Check One Box):**

- HORIZONTAL STD
- VERTICAL N/C

**5. Gearbox Cooling Option (Required when load is 200 HP or greater or when a pump rated at 1000 GPM or larger is driven) (Check One Box):**

- NONE N/C
- PROVIDED \$320

**6. Drive Unit Shift and Tach Cable (Check Boxes):**

**A. SHIFT OPTION (airshift included as standard):**

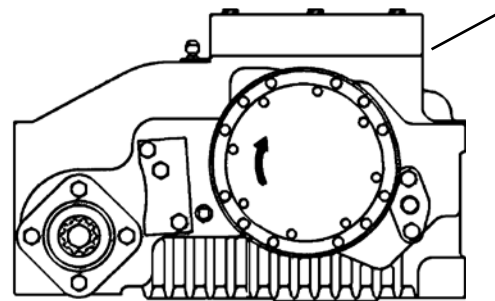
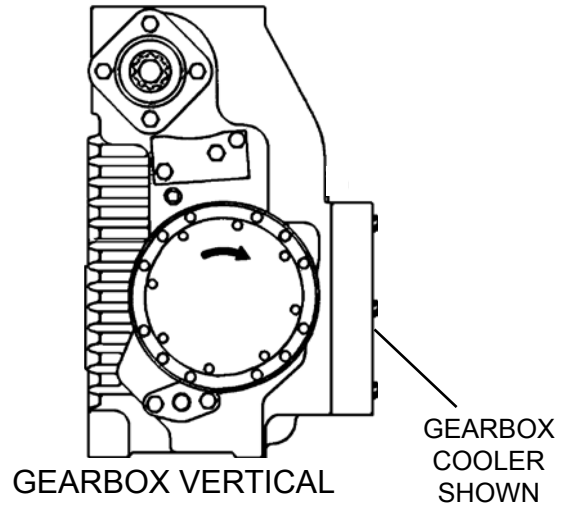
- VPS shift Control \$ 86

**B. AUXILIARY OVERRIDE OPTION\***

- Manual Shift Override, 72" cable \$1300
- Manual Shift Override, 55" cable \$1300
- Manual Shift Override, Turn Rod \$1300

**C. TACHOMETER\* (G series Only)**

- No Cable or Panel Adapter N/C
- Panel Adapter Only \$ 123
- Cable and Panel Adapter \$ 230



**7. Pro Tech Warranty (FIRE SERVICE APPLICATIONS ONLY) (NET PRICE, NO DISCOUNTS)**

- Standard 5 Year Warranty (Parts and Labor for the first two years, parts only years 3-5) N/C
- Pro Tech Gold Warranty - 1 Additional Year of Labor \$250
- Pro Tech Gold Warranty - 2 Additional Years of Labor \$750
- Pro Tech Gold Warranty - 3 Additional Years of Labor \$1500

**FOR ADDITIONAL OR LOOSE ACCESSORIES,  
VALVES, FLANGES, SEE SEPARATE ACCESSORY  
PAGE PRICE LIST AND ATTACH TO PUMP ORDER**



Hale Products, Inc. A Unit of IDEX Corp. 700 Spring Mill Avenue Conshohocken, PA 19428 USA  
 TEL: 610/825-6300 1-800/220-HALE FAX: 610/825-9615 www.haleproducts.com

Class 1 A Unit of IDEX Corp. 607 NW 27th Avenue Ocala FL 34475 USA  
 Tel: 352-629-5020 800-533-3569 Fax: 352-629-2902 www.class1.com