

CUSTOMER ORDER SPECIFICATION FOR HALE MBPM FIRE PUMP END

Customer Name: _____ Customer P.O. NO.: _____
 Order Prepared By: _____ Hale Customer NO.: _____ Date: _____
 Fire Dept. Name: _____ City: _____ State: _____
 Requested Delivery Date: _____ Max. Elevation for Pump Test: _____ FT
 Reference Specifications: _____

Engine: Mfr: _____ Model: _____ Horsepower: _____ @ _____ RPM
 Full Load Governed RPM: _____ Peak Torque: _____ LB/FT @ _____ RPM
 Application confirmed with:(for applications not on list) _____

1. Pump Model (Circle Price of Desired Model):

FLOW GPM (LPM)	750 (3000)	1000 (N/A)
PUMP MODEL (METRIC)	MBPM 75 (MBPM 300M)	MBPM 100 (N/A)
COST	\$8,299	\$8,299

2. NFPA Rating: Options Available

- None N/C
- Provided (750 GPM only) \$575
- Dual Rating (US GPM/LPM) \$775

3. Pump Ratio (Circle ratio desired):

RATIO	DEISGNATION	PRICE
1.64	-16	N/C
2.33	-23	N/C
2.33	-26	N/C
2.91	-29	N/C
3.74	-37	N/C

4. Flywheel Housing Options (Check applicable box)

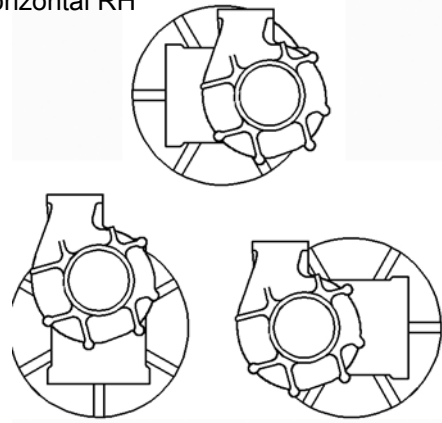
- Direct Mount to SAE #3 or #4 Flywheel Housing N/C
- #3 to #2 Adapter \$1688

4B. Drive Disc (Check one box)

- SAE #10 Elastomeric \$1437
- SAE #11-1/2 Elastomeric \$1524

5. Volute and Gearbox Positon (circle one)

- Vertical N/C
- Horizontal LH \$ 100
- Horizontal RH \$ 100



6. Discharge Option

- None N/C
- 4 inch NPT Flange \$ 170

7. Anodes

- None N/C
- Suction and Discharge (Recommended) \$ 85

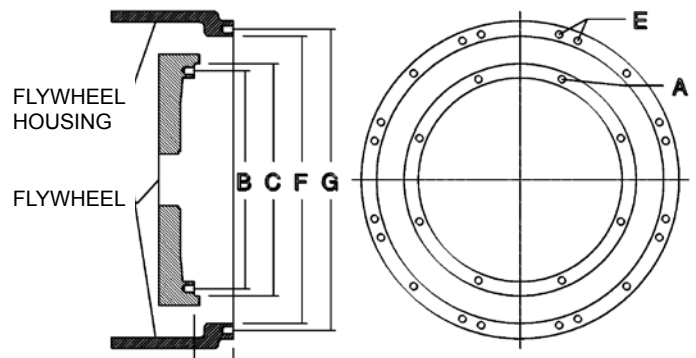
FOR ADDITIONAL OR LOOSE ACCESSORIES, VALVES, FLANGES, SEE SEPARATE ACCESSORY PAGE PRICE LIST AND ATTACH TO PUMP ORDER

NOTE: Engine Application data and compatibility is the responsibility of the purchaser.

SAE FLYWHEEL DIMENSIONS			
		11-1/2 CLUTCH	10 CLUTCH
A	NO.	8 EQUAL SPACE	8 EQUAL SPACE
	SIZE	3/8 - 16	3/8 - 16
B		13.125	11.625
C		13.875	12.375
D		1.56	2.12

SAE FLYWHEEL HOUSING DIMENSIONS			
		NO. 3	NO. 4
E	NO.	12	12
	SIZE	3/8 - 16	3/8 - 16
F		16.125	14.25
G		16.875	15.00

NOTE: Flywheel and bell housing must conform to SAE standards to ensure proper fit and function.



Hale Products, Inc. A Unit of IDEX Corp. 700 Spring Mill Avenue Conshohocken, PA 19428 USA
 TEL: 610/825-6300 1-800/220-HALE FAX: 610/825-9615 www.haleproducts.com

Class 1 A Unit of IDEX Corp. 607 NW 27th Avenue Ocala FL 34475 USA
 Tel: 352-629-5020 800-533-3569 Fax: 352-629-2902 www.class1.com

NOTE: Hale reserves the right to make improvements in design and materials and changes in price without notice
 ALL PRICES ARE U.S. DOLLARS F.O.B. CONSHOCKEN, PA 19428 USA