

CUSTOMER ORDER SPECIFICATION FOR HALE CSD & HFM FIRE PUMP

Customer Name: _____ Customer P.O. NO.: _____
 Order Prepared By: _____ Hale Customer NO.: _____ Date: _____
 Fire Dept. Name: _____ City: _____ State: _____
 Requested Delivery Date: _____ Max. Elevation for Pump Test: _____ FT
 Reference Specifications: _____

Engine: Mfr: _____ Model: _____ Horsepower: _____ @ _____ RPM
 Full Load Governed RPM: _____ Peak Torque: _____ LB/FT @ _____ RPM
 Application confirmed with: (for applications not on list) _____

1. Pump Model (Circle Price of Model Desired):

FLOW GPM (LPM)	750 (3000)	1000 (4000)	1250 (5000)
Pump Model (Metric)	75 (300M)	100 (400M)	125 (500M)
Manual Shift	\$16,588	\$16,588	\$16,588

1A. Pump Light Kit Option (Check Applicable Box(es)):

- NFPA Midship Light Kit \$156
- No Light Kit N/C

1B. Pump Manual Option (Check Applicable Box(es)):

- Paper Manual version \$36
- CD Version (2) N/C

1C. Panel Placard Option (Check Applicable Box(es)):

- Stamped S/N Placard \$29
- No Panel Placard N/C

2. NFPA Rating (Check Applicable Box(es)):

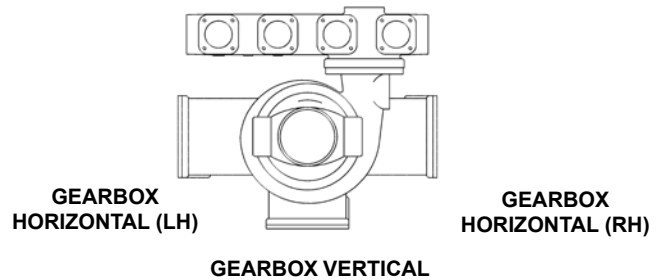
- Provided N/C
- Dual Rating (GPM/LPM) \$175

3. Pump Ratio (Check One Box): N/C

RATIO		
1.40	-14	
1.59	-15	
1.81	-18	
1.97	-20	
2.16	-21	
2.37	-23	

4. Gearbox Position and Mounting Bracket Set (Circle Price of Model Desired):

GEARBOX POSITION	NO MTG	STD MTG
VERTICAL	N/C	374
HORIZONTAL (LH)	374	1300
HORIZONTAL (RH)	374	1300



5. Suction Manifold (Check One Box):

- 4-1/2" NST Suction Manifold (HFM) \$1500
- 5" NST Suction Manifold (HFM) \$1500
- 6" NST Suction manifold (HFM) \$1500
- 6" Victaulic (CSD) \$ 800

6 Discharge Manifold (Requires Volute Position #1) (Check One Box):

- NONE (CSD and HFM) N/C
- STANDARD MANIFOLD (HFM) \$1155
- AGI Akron Manifold (HFM) \$1700
- AGI Elkhart Manifold (HFM) \$1700

7 Discharge and Suction Flanges (Circle Price(s) of Items Desired)

6. DISCHARGE AND SUCTION FLANGES	NOTE: If no flange option is selected Hale will add BLANK flanges to the order.													
	DISCHARGE											SUCTION		
	A	B	C	D	E	F	G	H	I	J	K	M	N	O
OPEN/BLANK	12	12	12	12	12	12	12	12	12	12	12	12	12	550
1-1/4 INCH NPT	60	60	60	60	60	60	60	60	60	60				
2 INCH NPT	60	60	60	60	60	60	60	60	60	60				
2-1/2 INCH NPT	60	60	60	60	60	60	60	60	60	60	60	60	60	
2-1/2 INCH NPT 4° ANGLE	67	67	67	67	67	67	67	67	67	67	67	67	67	
3 INCH NPT	94	94	94	94	94	94	94	94	94	94	94	94	94	
3 INCH NPT 4° ANGLE	100	100	100	100	100	100	100	100	100	100	100	100	100	
4 INCH NPT 4° ANGLE														550
TRV w/115 FLANGE	416	416	416	416	416	416	416	416	416	416	416			
TRV-L w/115 FLANGE	678	678	678	678	678	678	678	678	678	678				
90° ELBOW 115x 115	275	275	275	275	275	275	275	275	275	275				
MAGNESIUM ANODE w/115 Flange	170	170	170	170	170	170	170	170	170	170	170	170	170	
ZINC ANODE w/115 Flange	112	112	112	112	112	112	112	112	112	112	112	112	112	

NOTE: Hale reserves the right to make improvements in design and materials and changes in price without notice
 ALL PRICES ARE U.S. DOLLARS F.O.B. CONSHOHOCKEN, PA 19428 USA
 Bulletin 930-2009, Sheet 1 of 2, © 2009 Hale Products Inc, Printed in USA

8. Shift

- Manual Shift Kit with Indicator Lights **N/C**
- Air Shift System \$7650

Note: CSD is an HFM pump with no manifolds

9. Drive Shaft Kit (Check One Box):

- 1310 SERIES \$ 438

10. Volute Position: (Position #1 Required with Discharge Manifold) (Circle Position Desired Below)

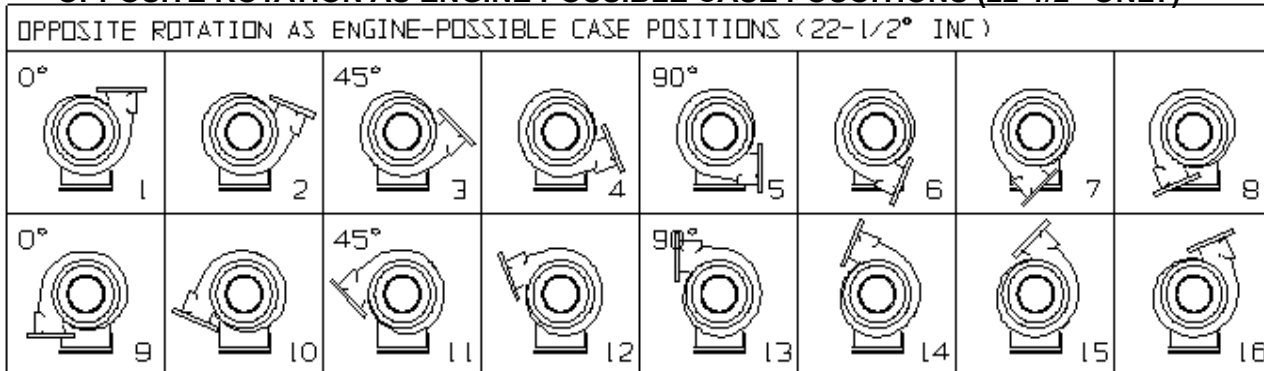
- Vertical Position **N/C**
- Other Position \$ 100

Please see the Class 1 Price List for prices on Caps

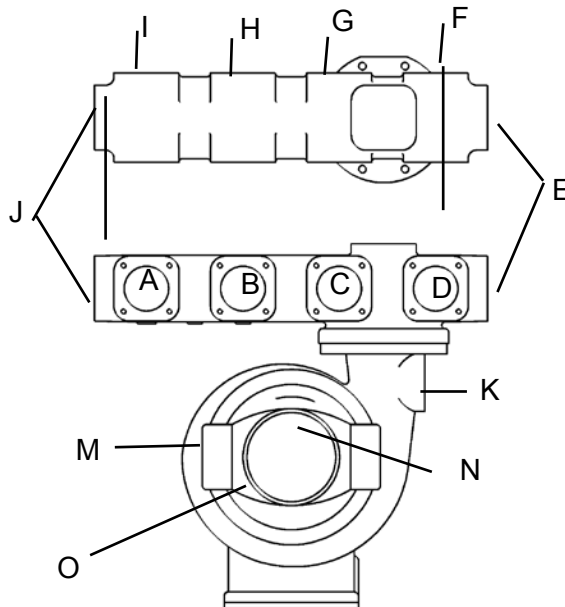
11. Pro Tech Warranty (FIRE SERVICE APPLICATIONS ONLY) NET PRICE, NO DISCOUNTS)

- Standard 5 Year Warranty (Parts and Labor for the first two years, parts only years 3-5)** **N/C**
- Pro Tech Extended Warranty - 1 Additional Year of Labor \$250
- Pro Tech Extended Warranty - 2 Additional Years of Labor \$750
- Pro Tech Extended Warranty - 3 Additional Years of Labor \$1500

OPPOSITE ROTATION AS ENGINE POSSIBLE CASE POSITIONS (22-1/2" ONLY)



Top View of HFM Pump



Front View of HFM Pump

FOR ADDITIONAL OR LOOSE ACCESSORIES, VALVES, FLANGES, SEE SEPARATE ACCESSORY PAGE PRICE LIST AND ATTACH TO PUMP ORDER



Hale Products, Inc. A Unit of IDEX Corp. 700 Spring Mill Avenue Conshohocken, PA 19428 USA
 TEL: 610/825-6300 1-800/220-HALE FAX: 610/825-9615 www.haleproducts.com

Class 1 A Unit of IDEX Corp. 607 NW 27th Avenue Ocala FL 34475 USA
 Tel: 352-629-5020 800-533-3569 Fax: 352-629-2902 www.class1.com