

CUSTOMER ORDER SPECIFICATION FOR HALE 8FGR FIRE PUMP

Customer Name: _____ Customer P.O. NO.: _____
 Order Prepared By: _____ Hale Customer NO.: _____ Date: _____
 Fire Dept. Name: _____ City: _____ State: _____
 Requested Delivery Date: _____ Max. Elevation for Pump Test: _____ FT
 Reference Specifications: _____

Engine: Mfr: _____ Model: _____ Horsepower: _____ @ _____ RPM
 Full Load Governed RPM: _____ Peak Torque: _____ LB/FT @ _____ RPM
 Is Engine Listed in Hale Recommended Pump/Engine Combination List? Yes No
 Application confirmed with: (for applications not on list) _____

1. Pump Model (Circle Price of Model Desired):

FLOW GPM (LPM)	1500 (6000)	1750 (7000)	2000 (8000)	2250 (9000)	2500 (10000)	3000 (N/A)	Material
PUMP MODEL (METRIC)	150(600M)	175 (700M)	200 (800M)	225 (900M)	250 (1000M)	300 (N/A)	
SPLIT SHAFT DRIVE UNIT FRONT (8FGR)	\$17,679	\$17,679	\$17,679	\$17,679	\$24,440	\$24,440	Cast Iron
SPLIT SHAFT DRIVE UNIT FRONT (8FGR)	CONSULT FACTORY						Bronze

NFPA Rating Certification Standard

1A. Pump Light Kit Option (Check Applicable Box(es)):

- NFPA Midship Light Kit \$156
- No Light Kit N/C

1B. Pump Manual Option (Check Applicable Box(es)):

- Paper Manual version \$36
- CD Version (2) N/C

1C. Panel Placard Option (Check Applicable Box(es)):

- Stamped S/N Placard \$29
- No Panel Placard N/C

2. NFPA Rating (Check Applicable Box(es)):

- Provided N/C
- Dual Rating (GPM/LPM) \$175

3. Drive Unit and Pump Ratio (Circle Box):

MODEL	K Series*		
	R	RX	RXK
2a: RATIO AND DRIVE UNIT (CIRCLE ONE)			
1.58	-15	\$1000	
1.60	-16		\$3526
1.71	-17	\$1000	\$3526
1.86	-19	\$1000	
1.89	-19		\$3526
1.96	-19		N/C
2.04	-21		\$3526
2.05	-21	\$1000	
2.13	-21		N/C
2.28	-23	\$1000	
2.30	-23		\$3526
2.32	-23		N/C
2.52	-25		\$3526
2.55	-25		N/C

4 K Gearbox Drive Line Yokes (two Required)

(Check Box):

- RPL25 Spline Yoke (Price for 2) \$127
- 18T Spline Yoke (Price for 2) N/C
- 176T Spline Yoke (Price for 2) N/C
- 17T Spline Yoke (Price for 2) N/C
- 17N Full Round Yoke (Price for 2) N/C
- 176N Full Round Yoke (Price for 2) N/C
- 18N Full Round Yoke (Price for 2) N/C

5. Drive Unit Shift and Tach Cable (Check Boxes):

A. SHIFT OPTION (airshift included as standard):

- Customer Supplied Shift Control N/C
- VPS shift Control (Not available with K Gearbox) \$ 86
- KPS shift Control \$ 400

B. AUXILIARY OVERRIDE OPTION*

- Manual Shift Override, 72" cable \$1300
- Manual Shift Override, 55" cable \$1300
- Manual Shift Override, Turn Rod \$1300

C. TACHOMETER* (G series Only)

- No Cable or Panel Adapter N/C
- Panel Adapter Only \$ 123
- Cable and Panel Adapter \$ 230

6A. Suction Flanges (Check One Box):

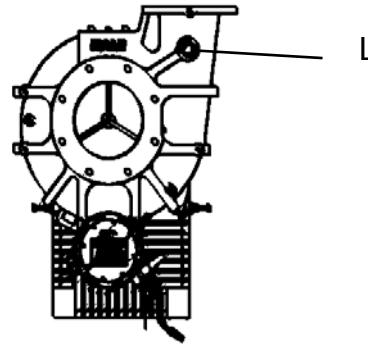
- Suction None (8 x 13 ASA Flange) N/C
- Suction Flange 8 inch NPT (Cast Iron) \$ 270
- Suction Flange 8 inch NPT (Stainless) \$1500

6B Discharge Flanges (Check One Box):

- Discharge None (6 x 11 ASA Flange) N/C
- Discharge Flange 6 inch NPT (Cast Iron) \$ 270
- Discharge Flange 6 inch NPT (Stainless) \$ 820

7. Auxiliary Discharge Port (Circle Price of Option)

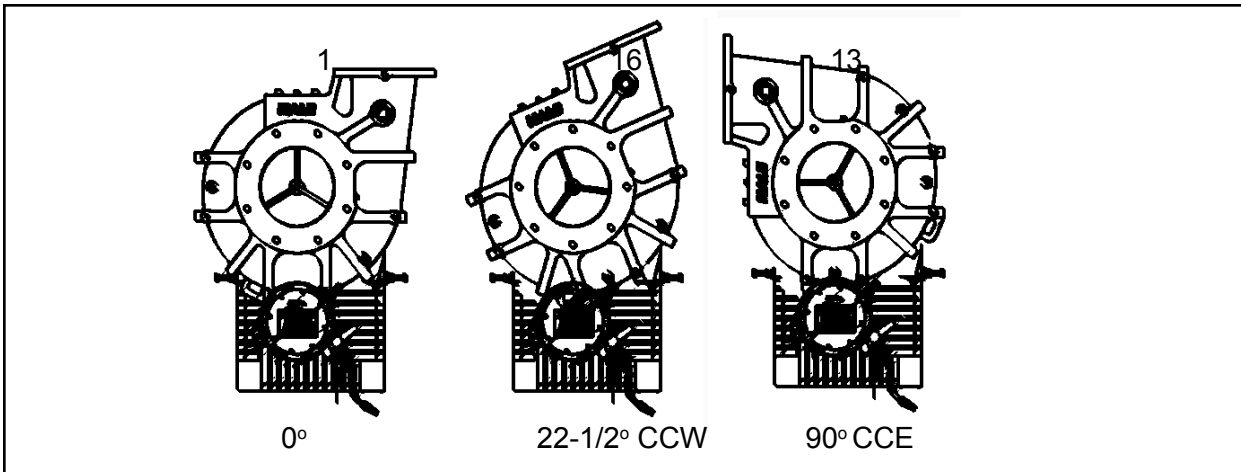
OPTION	PORT L
TRV120	360
TRV120-L	670
Magnesium Anode	124
Zinc Anode	68
1-1/4 NPT plug	N/C



PUMP MOUNTED ON OUTPUT SIDE OF "R", "RX", OR "XK" GEARBOX WITH SUCTION FACING REAR
8FGR - DRIVE UNIT FRONT (FACING OUTPUT SHAFT)

8. VOLUTE POSITION (Circle Position Desired):

- Vertical Discharge (Position #1) N/C
- Special Position \$250



9. Paint Option

DESCRIPTION	PRICE
<input type="checkbox"/> Black Primer	N/C
<input type="checkbox"/> Gray Primer	\$100
<input type="checkbox"/> Hale Black Finish Coat	\$450
<input type="checkbox"/> Hale Red Finish Coat	\$450

10. Pro Tech Warranty (FIRE SERVICE APPLICATIONS ONLY) (NET PRICE, NO DISCOUNTS)

<input type="checkbox"/> Standard 5 Year Warranty (Parts and Labor for the first two years, parts only years 3-5)	N/C
<input type="checkbox"/> Pro Tech Gold Warranty - 1 Additional Year of Labor in Year 3 of Standard Warranty	\$250
<input type="checkbox"/> Pro Tech Gold Warranty - 2 Additional Years of Labor in years 3 & 4 of Standard Warranty	\$750
<input type="checkbox"/> Pro Tech Gold Warranty - 3 Additional Years of Labor in years 3, 4 & 5 of Standard Warranty	\$1500

FOR ADDITIONAL OR LOOSE ACCESSORIES, VALVES, FLANGES, SEE SEPARATE ACCESSORY PAGE PRICE LIST AND ATTACH TO PUMP ORDER



Hale Products, Inc. A Unit of IDEX Corp. 700 Spring Mill Avenue Conshohocken, PA 19428 USA
TEL: 610/825-6300 1-800/220-HALE FAX: 610/825-9615 www.haleproducts.com

Class 1 A Unit of IDEX Corp. 607 NW 27th Avenue Ocala FL 34475 USA
Tel: 352-629-5020 800-533-3569 Fax: 352-629-2902 www.class1.com