

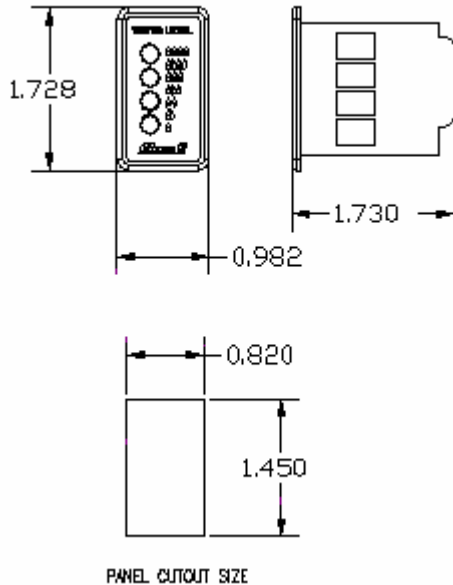


Intelli-Tank Mini Remote Gauge Quick Manual

UNIT SPECIFICATIONS

1. Unit P.N. 112124
2. System Voltage 9-32 volts.

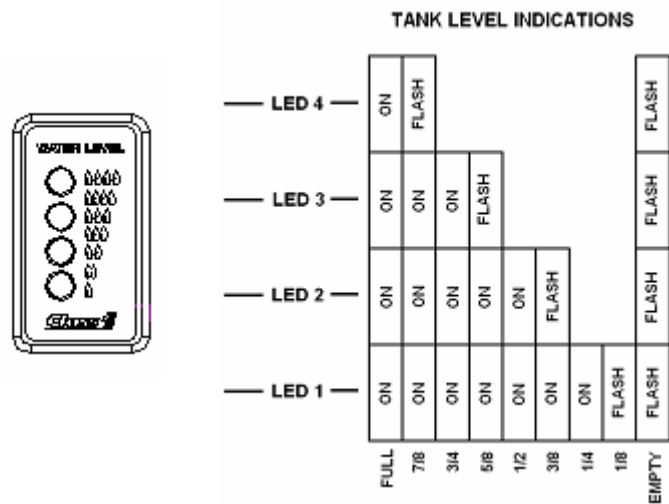
INSTALLATION



UNIT OPERATION

The unit is a slave for the Class1 ITL 4 or 5 light tank level gauge.

During power up the unit will cycle on each LED1. The unit will then show current tank level information.



WIRING

Mating Connector: AMP 172166-1
 Terminals: AMP 770988-1
 Class1 Wiring Pigtail # 112647

Pin	Description
1.	Power
2.	Ground
3.	1 Wire Data

Wiring Diagram Example.

