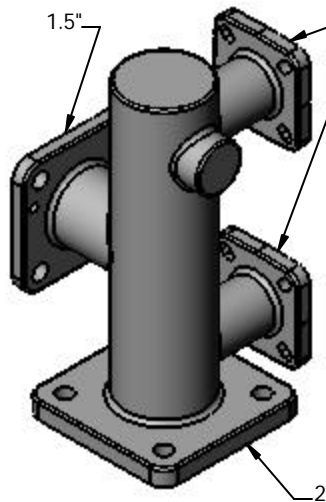


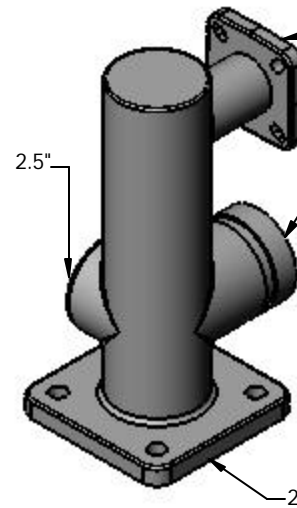
PART NUMBER
112074

- VICTAULIC
- FLOWMETER READY
- WELD CAPABLE
- CHECK VALVE



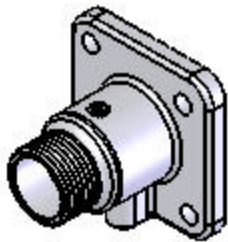
PART NUMBER
111647

- 1" CLOSED PAD
- (2) 1" FLANGES
- 1.5" VALVE FLANGE
- 2" FLANGE



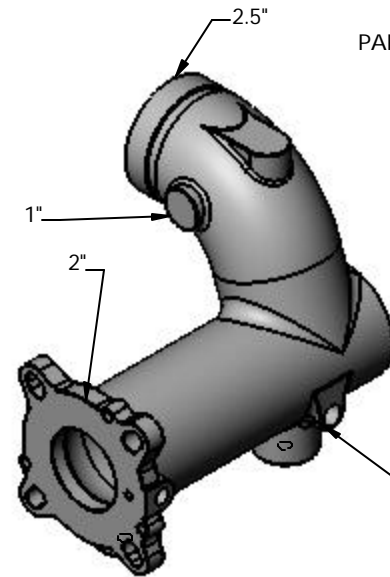
PART NUMBER
111648

- 2.5" CLOSED PAD
- 2.5" VIC
- 1" VALVE FLANGE
- 2" FLANGE



PART NUMBER
112075

- 115 FLANGE
- CHECK VALVE
- ADAPTER FROM 2.5" TO 2" MNPT



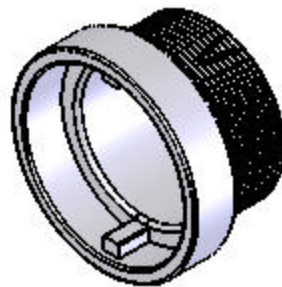
PART NUMBER
111841

- 1" CLOSED PAD
- 2.5" VIC
- 1/4" DRAIN
- 2" VALVE FLANGE



PART NUMBER
111650

- 115 FLANGE
- 2.5" CLOSED PAD
- 2" VICTAULIC
- 1" FLANGE



PART NUMBER
111715

- ADAPTER 2 1/2" TO 2" MNPT

Class1		607 N.W. 27th AVE. Ocala, Florida 34475 Phone 352-629-5020 FAX 352-629-2902			
CODE	IDENT. NO.	DRAWN BY	COMPLETED	CHECKED	APPROVED
	06CG4	MFH	09/30/04	----	----
SIZE	DRAWING NUMBER			SCALE	
C	MANIFOLDS AND ADAPTERS 2" SALES			1:1	
				SHEET 1 OF 1	