

0 0 0 0 0 0 0 0 0 0

PART NUMBER
108129



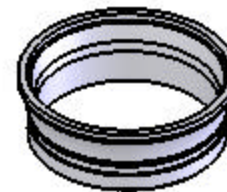
- 6" PIPE WELD TO 6"NST
- 3.5" LONG

PART NUMBER
109821



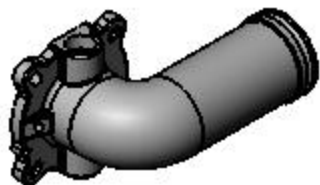
- 12 BOLT TO 6" NST
- 3.5" LONG

PART NUMBER
109266



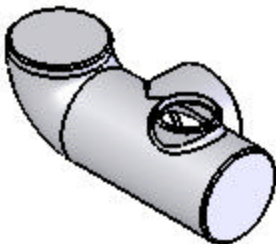
- 6" WELD TO VIC 2.5" LONG

PART NUMBER
109939



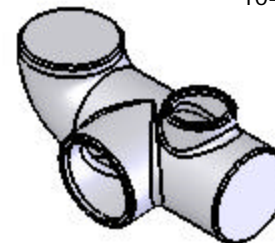
- 2.5" VALVE 90° FINISH W/ 3/4" NPT DRAIN SS

PART NUMBER
104689



- CASTING MANIFOLD RIGHT SIDE
- INLET ROTATED 4°
- (2) 3" CLOSED PADS
- (1) 3" OPEN PAD
- (1) 2" OPEN PAD

PART NUMBER
104690



- CASTING MANIFOLD DRIVER SIDE
- INLET ROTATED 4°
- (2) 3" CLOSED PADS
- (1) 3" OPEN PAD
- (1) 2" OPEN PAD

PART NUMBER
110681



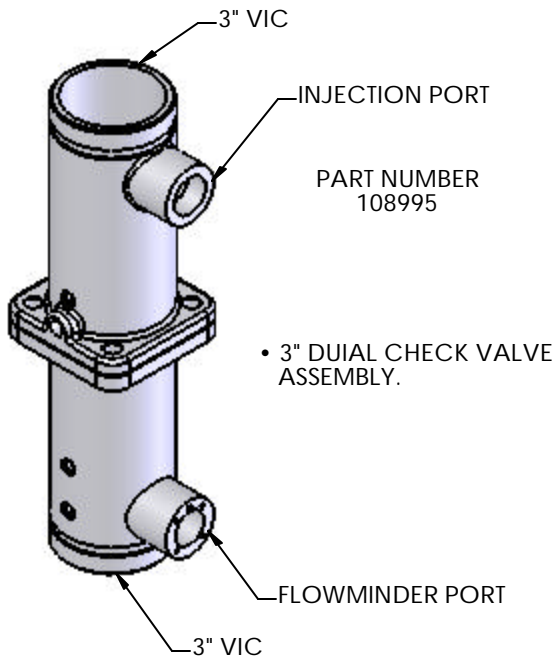
- CASTING MANIFOLD DRIVER SIDE W/ VIC
- INLET ROTATED 4°
- (1) 3" CLOSED PAD
- (1) 2" CLOSED PAD
- (2) 3" OPEN PADS

PART NUMBER
110671



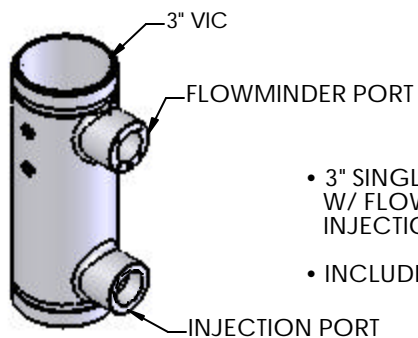
- CASTING 90° ELBOW W/ 3/4" DRAIN FITTING
- CENTER OF RADIUS 1.7"

PART NUMBER
108995



- 3" DUAL CHECK VALVE ASSEMBLY.

PART NUMBER
108966



- 3" SINGLE CHECK W/ FLOWMINDER & INJECTION PORT
- INCLUDES CHECK VALVE



- ROLL PIN S/S 1/4" X 3/4" PART NUMBER: 110490



- GREASE ZERK PART NUMBER: 082-2007-00-0



- PLUG, BRASS 3/4" NPT PART NUMBER: 217-0501-01-0



607 N.W. 27th AVE.
Ocala, Florida 34475
Phone 352- 629- 5020
FAX 352- 629- 2902

| | | | | | |
|-------|---------------------|----------|-----------|---------|----------|
| CODE | IDENT. NO. | DRAWN BY | COMPLETED | CHECKED | APPROVED |
| 06CG4 | | MFH | 09/23/04 | ---- | ---- |
| SIZE | ADAPTER SALES | | | | SCALE |
| C | 304 STAINLESS STEEL | | | | 1:1 |
| | | | | | SHEET |
| | | | | | 1 OF 3 |

0 0 0 0 0 0 0 0 0 0