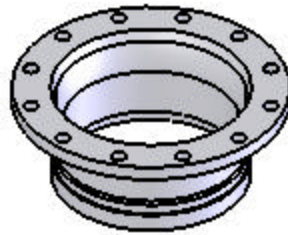


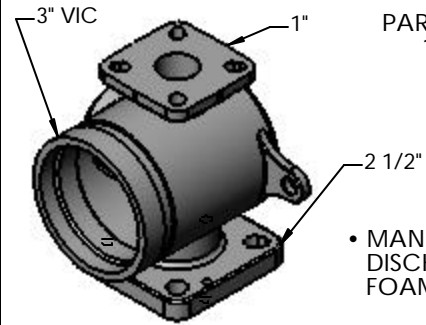
PART NUMBER  
109872

- ADAPTER 4 BOLT  
2.5" FLANGE  
X 115 FLANGE



PART NUMBER  
110986

- NEW WORLD PUMP  
ADAPTER, 12-BOLT  
W/ 6" VIC



PART NUMBER  
109646

- MANIFOLD  
DISCHARGE  
FOAM HP 200/400 SS



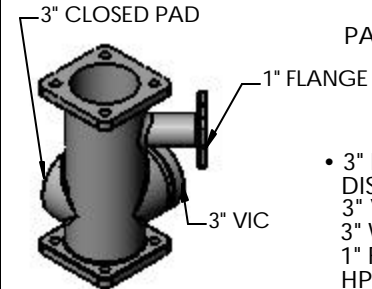
PART NUMBER  
108985

- 3" MANIFOLD  
DISCHARGE  
W/ 115 FLANGE  
3" PAD W/ 1" OPEN  
1" FLANGE  
1 1/2" FLANGE  
HP 200/400 SS



PART NUMBER  
108986

- MANIFOLD SUCTION  
HP 200/400 SS



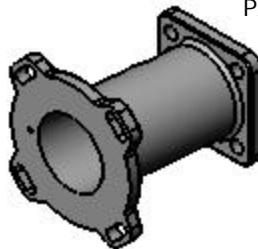
PART NUMBER  
110506

- 3" MANIFOLD  
DISCHARGE W/ 115  
3" VIC  
3" WELD  
1" FLANGE  
HP 200/400 SS



PART NUMBER  
111069

- ADAPTER, 115 X 2.5"  
VLV X 6.7" LG



PART NUMBER  
111070

- ADAPTER, SS, 115 X 3"  
VLV X 6.2" LG



PART NUMBER  
111071

- ADAPTER, 115 X 2.5"  
VLV 5.25" X 3.70" 90°, SS



- ROLL PIN S/S 1/4" X 3/4"  
PART NUMBER: 110490



- PLUG, BRASS 1/8" NPT  
PART NUMBER: 102669



- GREASE ZERK  
PART NUMBER: 082-2007-00-0



- PLUG, BRASS 3/4" NPT  
PART NUMBER: 217-0501-01-0

**Class1**

607 N.W. 27th AVE.  
Ocala, Florida 34475  
Phone 352- 629- 5020  
FAX 352- 629- 2902

CODE	IDENT. NO.	DRAWN BY	COMPLETED	CHECKED	APPROVED
06CG4		MFH	09/26/04	----	----
SIZE	ADAPTER SALES				SCALE
C	304 STAINLESS STEEL				1:1
					SHEET
					2 OF 3