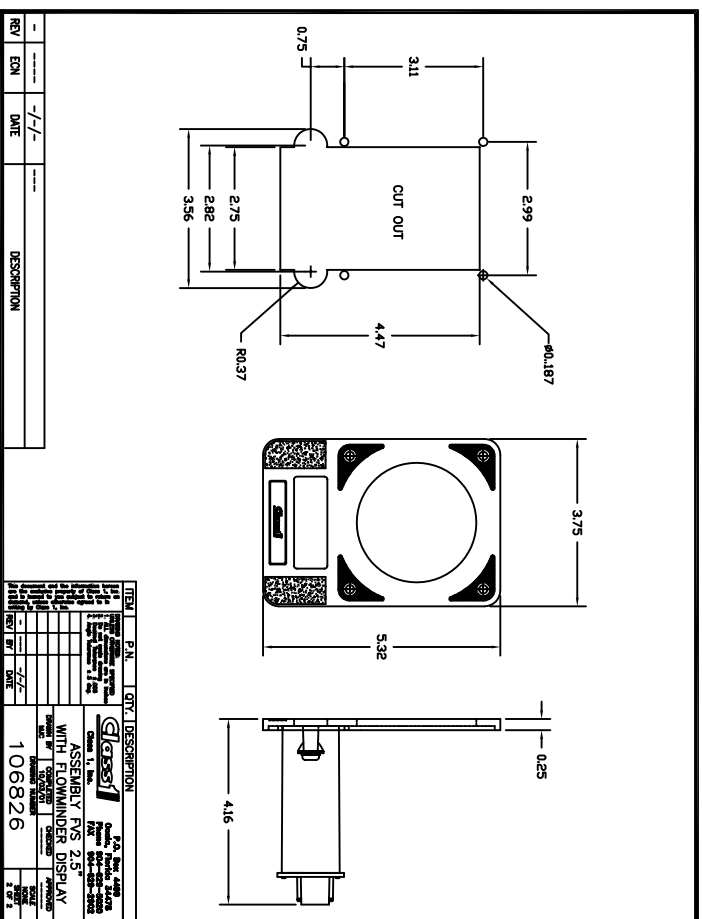


NOTES:

- INSTALL WASHER SO THAT CONCAVE SURFACE IS IN CONTACT WITH DISPLAY LOCKING KEY.
- CENTER LABEL IN RECESSED AREA.
- WRAP UNIT IN BUBBLE WRAP AND PUT IT INTO ITEM #7.
- PUT PRODUCT IDENTIFICATION LABEL ON BOX.

ITEM	P.N.	QTY	DESCRIPTION
7	210086	1	BOX, MINIDER, UNPRINTED
6	103350	2	LOCKWASHER, #10 INT TOOTH
5	109021	1	TAG, CLASS1
4	102980	2	SCREEN, 10" SQ. 1/4" PH. PM. SS
2	102363	1	DISPLAY, SSD FLOWMINDER
1	105547	1	BEZEL, 2.5" FVS

Flowminder
 Model: FVS 2.5"
 Part No: 102363-0000
 Rev: 1.0
 Date: 08/08/08
 Assembly FVS 2.5" WITH FLOWMINDER DISPLAY
 106826



ITEM	P.N.	QTY	DESCRIPTION
7	210086	1	BOX, MINIDER, UNPRINTED
6	103350	2	LOCKWASHER, #10 INT TOOTH
5	109021	1	TAG, CLASS1
4	102980	2	SCREEN, 10" SQ. 1/4" PH. PM. SS
2	102363	1	DISPLAY, SSD FLOWMINDER
1	105547	1	BEZEL, 2.5" FVS

Flowminder
 Model: FVS 2.5"
 Part No: 102363-0000
 Rev: 1.0
 Date: 08/08/08
 Assembly FVS 2.5" WITH FLOWMINDER DISPLAY
 106826