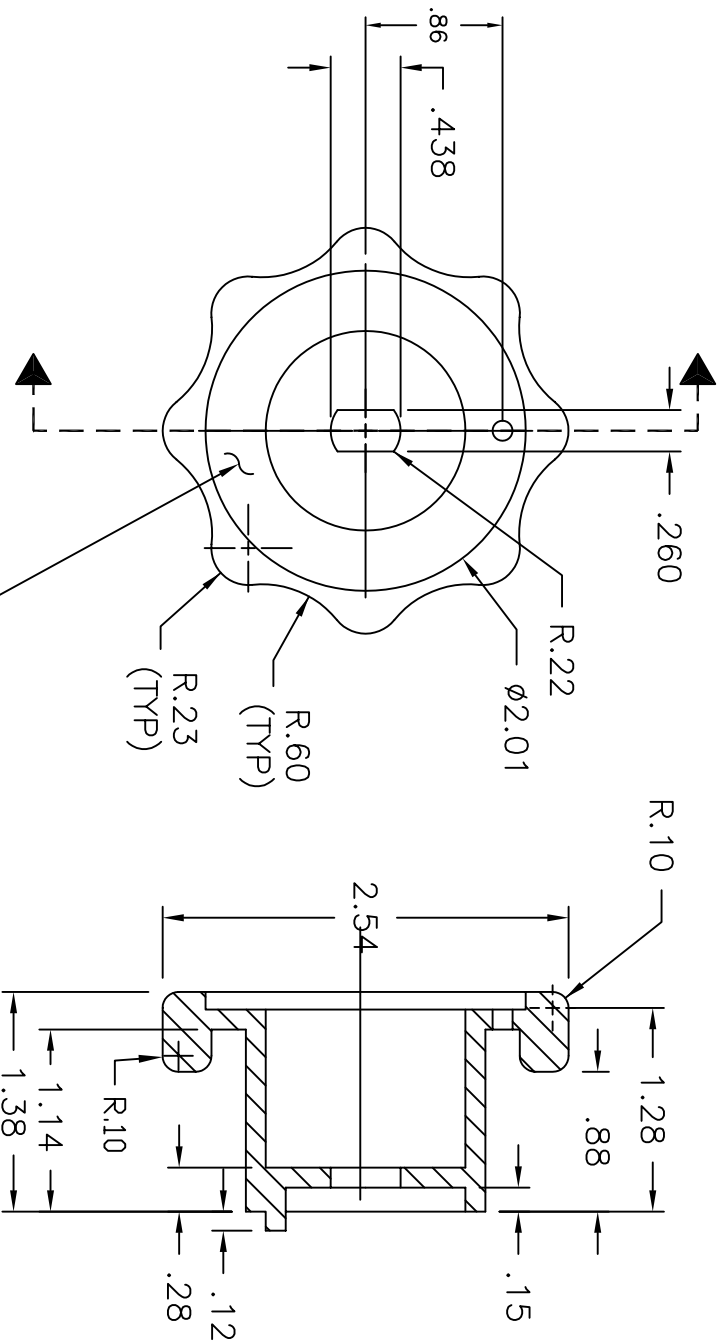
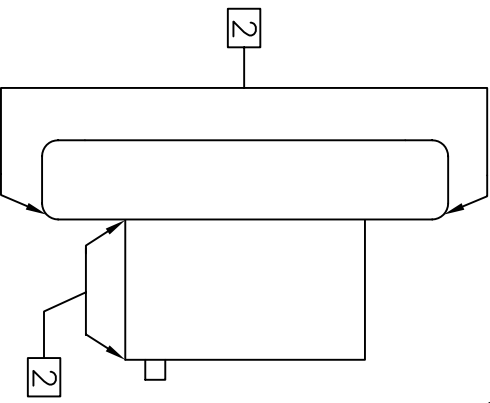
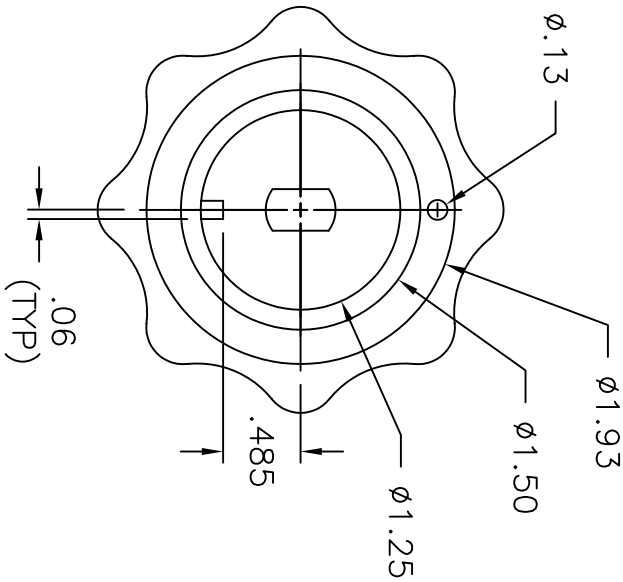


REV	ECN	DATE	DESCRIPTION
C	----	07/18/02	ADDED R.10 TO BACK OF HANDLE
B	----	1/9/98	ADDED .86" DIMENSION FROM CENTER OF PART TO CENTER OF .13" DIA. HOLE



SATIN FINISH TO MATCH RECESSED AREA IN HANDLE OF 100074



- NOTES:**
1. MATERIAL: CAST ZINC
  2. FINISH: POLISHED CHROME
  3. REMOVE ALL PARTING LINES

This document and the information herein are the exclusive property of Class 1 and is loaned to you subject to return on demand, unless otherwise agreed to in writing by Class 1.  
copyright 1997 Class1, Inc.

REV	BY	DATE	DRAWING NOTES
A	BE	11/20/97	1. ALL DIMENSIONS SPECIFIED IN INCHES
B	BE	1/9/98	2. Do not scale drawing
C	EJM	07/18/02	3. XX ±.01

**Class 1**  
607 N.W. 27th AVE.  
Ocala, Florida 34475  
Phone 352-629-5020  
FAX 352-629-2902

CHROMED  
3/4" VALVE HANDLE

CODE	IDENT. NO.	DRAWN BY	COMPLETED	CHECKED	APPROVED
A	ORC04	MOR	11/20/97		

SIZE: A  
DRAWING NUMBER: 102486  
SCALE: NONE  
SHEET: 1 OF 1