

cannon

Interconnect Solutions for e-mobility

IEC, SAE and GB/T



ITT

We Connect

The future of e-mobility

Drawing upon 100 years of interconnect excellence and nearly a decade of innovation in the Electric Vehicle industry, ITT represents a committed partner to today's e-mobility industry, bringing connection solutions to the market that are truly Engineered for Life.

Global solutions for the EV industry

The ITT difference

- Proven application expertise
- Global capabilities & local support
- Unrivalled customization expertise
- A committed innovator & business partner

About ITT

ITT is a diversified leading manufacturer of highly engineered critical components and customized technology solutions for the energy, transportation and industrial markets. Building on its heritage of innovation, ITT partners with its customers to deliver enduring solutions to the key industries that underpin our modern way of life. Founded in 1920, ITT is headquartered in White Plains, N.Y., with employees in more than 35 countries and sales in a total of approximately 125 countries. For more information visit www.itt.com



IEC, SAE and GB/T e-mobility Interconnect Solutions

ITT's class leading UL and CE certified connectors, plugs, inlets, outlets and accessories offer recognized, trusted and proven charging solutions for today's e-mobility markets. Built in accordance with all key regional standards - IEC 62196 for Europe, SAE J1772 for the Americas and Japan and GB/T 20234 for China they provide a truly global portfolio.

ITT offers a fully comprehensive range of AC charging options— with an industry leading amperage range from 10A to 80A, single and triple phase variants, low contact resistance and a minimum of 10k mating cycles. In addition to off the shelf solutions our EV offering is fully customizable to meet specific requirements and we are able to offer variants on colors, harnesses and terminals.

By using common coupler connector/plug elements such as an ergonomically designed handle, robust contact system, innovative wire positioners and strain relief system ITT is able to serve global industry players with a consistent, recognizable look and feel to support their own product, user and brand experience.



Key features

- Cable options certified and approved to regional requirements
- Sealing to meet and exceed specifications
- Up to 80A AC Charging option
- Low contact resistance
- Minimum 10k mating cycles
- Connector and plug strain relief provides protection from cable overstressing

Applications

- Home EV Charging Units
- Public Charging Stations
- Roadside Assistance Trucks
- Fleet Trucks
- EV Mass Transit Vehicles
- Electric Watercraft
- Passenger Vehicles
- Electric Motorcycles
- Electric Agriculture Vehicles

An e-mobility leader

- A truly global product portfolio
- Extensive customization options
- A track record of EV innovation
- A pioneer in DC fast charging technology

The Gen 2+ Contact System

ITT's new Gen2+ contact system utilizes a state of the art canted coiled spring design that delivers extended lifetime usage and minimizes mechanical stress, miss alignment and power loss.

Dimensions shown in mm
Specifications and dimensions subject to change

www.ittcannon.com





IEC electric vehicle charging solutions

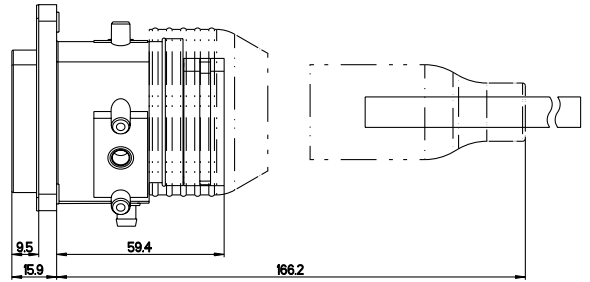
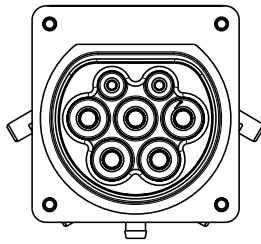
ITT's IEC e-mobility solutions are built in accordance with IEC 62196-1 and 62196-2 standards for single and three phase charging systems.

IEC performance data	
Temperature Range	-30°C to +50°C
Durability	10,000 mating cycles min
Sealing Requirements	IP 44 min per IEC 61851-1 and tested in accordance with IEC 60525
Certifications Connector	CE, ETL, IEC 62196-1 and IEC 62196-2
Certifications Cable	DIN EN 50620

Key Features

- Drain holes at the bottom of the coupler connector/plug – eliminates latch freezing and includes protective shield from small diameter metal penetration to the wiring.
- Textured coupler connector/plug handle – provides enhanced grip while in use.
- Optional mating face protection – lanyard dust caps options for coupler connector/plug and spring cap options for inlets provide additional protection when connectors are not in use.

ECIER Outlet



How to order

ECIER 20 2 1 -017 S 2 A 1 A 0 A 0 -001

Connector Series & Style

Current Rating (Cable size)

Cable Rating

Powering System (Connector Voltage Rating)

Cable Length (3 Digits)

Sealing Method

Compression Limiter / Metal Inserts in Flange Holes

Dust Cap / Spring Cap

Drain Spout

Locking Device

Rubber Boot

Mounting Hole Pattern

Flange Gasket

Modification Code - If Applicable (3 digits)

Explanation

Connector Series & style

ECIER - EVC IEC 62196 Type 2 Connector EVSE
Rear mount inlet

Current Rating (Cable size)

20A, 32A, 63A

Cable Rating

2 - Level 2

Powering System (Connector Voltage Rating)

1 - Single phase (250VAC)

3 - Three phase (480VAC)

Cable Length (3 Digits)

XXX - Length in 0.1m*XXX (017 = 1.7m)

Sealing Method

S - Sealed

Compression Limiter / Metal Inserts in Flange Holes

0 - Without compression limiter/inserts

1 - Compression limiter (front mounting)

2 - Compression limiter with threaded inserts M4 (front mounting)

Dust Cap / Spring Cap

A - No dust cap supplied

C - Dust cap stainless steel lanyard (155mm)

D - Dust cap stainless steel lanyard (125mm)

E - Dust cap PA lanyard (155mm)

K - With mounting ring thin (to be used with mounting hole pattern "B" only) (metal inserts M4)

L - With mounting ring (to be used with mounting hole pattern "B" only) (metal inserts M4)

M - Dust cap PA lanyard, ring terminal (125mm)

N - Dust cap PA lanyard (125mm)

Drain Spout

0 - Without drain spout

1 - With drain spout, without tube

2 - With drain spout with tube; 1m long

3 - With drain spout with tube, 2m long

Locking Device

A - No locking device

B - Motorized switch assembly (No male connector supplied for locking).

C - Motorized switch assembly including connector & 300mm cable

D - Motorized switch assembly including connector & 300mm cable & socket contacts on single wires

E - Solenoid 12VDC assembly (cable length 250mm)

F - Solenoid 24VDC assembly (cable length 250mm)

G - Solenoid 12VDC assembly (same as cable length)

H - Solenoid 24VDC assembly (same as cable length)

Rubber Boot

0 - No rubber boot supplied

Mounting Hole Pattern

B - 58x61mm

C - 52x52mm

Flange Gasket

0 - No flange gasket supplied.

1 - With flange gasket

Modification Code - If Applicable (3 digits)

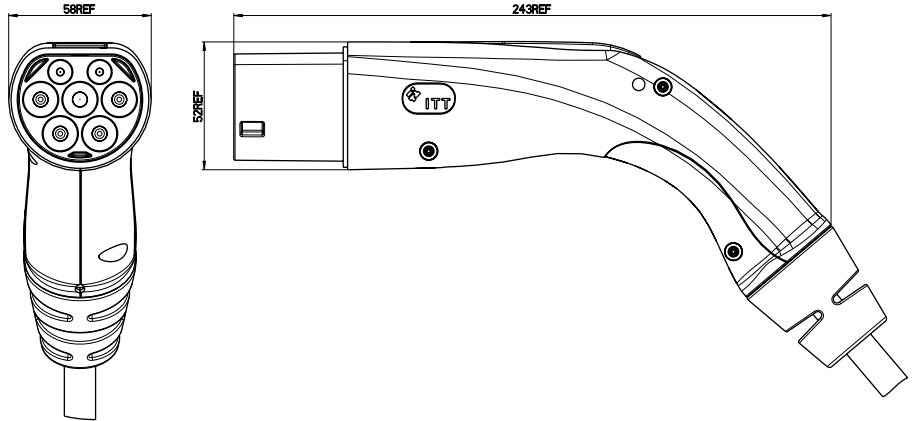
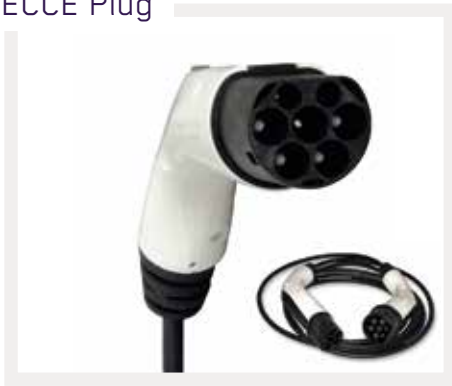
001 to 999 - For customer specific modification

Dimensions shown in mm

Specifications and dimensions subject to change

www.ittcannon.com

ECCE Plug



How to order

ECCE 20 2 1 -017 S 0 A -ECCV 0 A -001

Connector Series & Style

Current Rating (Cable size)

Cable Rating

Powering System (Connector Voltage Rating)

Cable Length (3 Digits)

Sealing Method

Direction of Cable Strain Relief

Dust Cap

Modification Code (4 Letters)

Direction of Cable Outlet

Dust Cap

Modification Code - If Applicable (3 digits)

Explanation

Connector Series & style*

ECCE - EVC IEC 62196 Type 2 mode 3 connection cable EVSE coupler to vehicle coupler

Current Rating (Cable size)

20A, 32A, 63A

Cable Rating

2 - Level 2

Powering System (Connector Voltage Rating)

1 - Single phase (250VAC)

3 - Three phase (480VAC)

Cable Length (3 Digits)

XXX - Length in 0.1m*XXX (017 = 1.7m)

Sealing Method

S - Sealed

Direction of strain relief ECCE

0 - Straight cable strain relief

1 - Angled cable strain relief (90° Downwards) (not for 63A)

Dust Cap

A - No dust cap supplied

B - Dust cap rubber lanyard (187mm)

C - Dust cap stainless steel lanyard (155mm)

D - Dust cap stainless steel lanyard (125mm)

E - Dust cap PA lanyard (155mm)

F - Dust cap PA lanyard (125mm)

Modification Code (4 Letters)

ECCV - Connection cable IEC type 2 connector on 2-end

GBCV - Connection cable GBCV connector on 2-end

EJCV - Connection cable IEC type 1 connector on 2-end (same connector as J2CE)

only 1 phase existing

Direction of strain relief of second connector

0 - Straight cable strain relief

1 - Angled cable strain relief (90° Downwards) (not for 63A)

Dust Cap

A - No dust cap supplied

B - Dust cap rubber lanyard (only for GBCV at second end)

C - Dust cap stainless steel lanyard (155mm)

D - Dust cap stainless steel lanyard (125mm)

E - Dust cap PA lanyard (155mm)

F - Dust cap PA lanyard (125mm)

Modification Code - If Applicable (3 digits)

001 to 999 - For customer specific modification

179 - Handles in black color

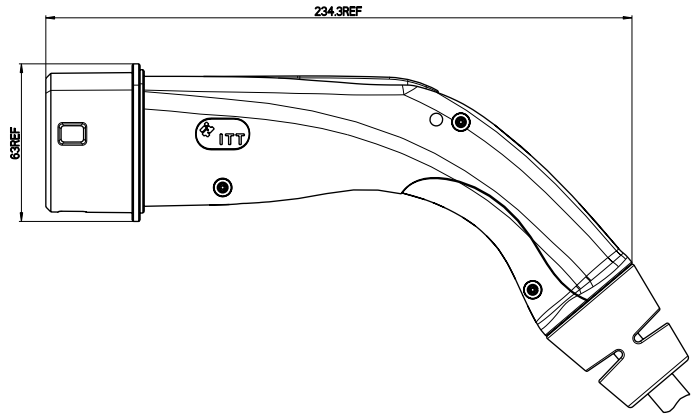
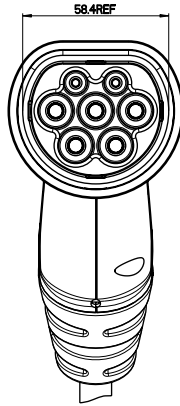
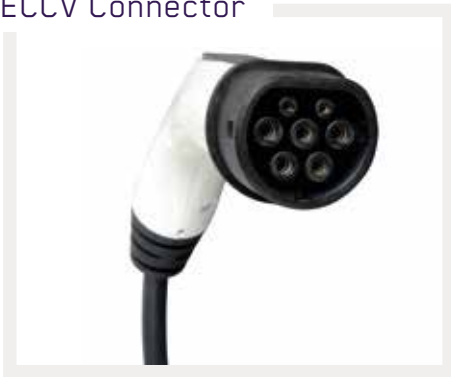
* Default handle color is white



Dimensions shown in mm
Specifications and dimensions subject to change

www.ittcannon.com

ECCV Connector



How to order

ECCV	20	2	1	-017	S	0	A	-001
------	----	---	---	------	---	---	---	------

Connector Series & Style								
Current Rating (Cable size)								
Cable Rating								
Powering System (Connector Voltage Rating)								
Cable Length (3 Digits)								
Sealing Method								
Direction of Cable Strain Relief								
Dust Cap								
Modification Code - If Applicable (3 digits)								

Explanation

Connector Series & style*
ECCV - EVC IEC 62196 Type 2 Connector vehicle coupler

Current Rating (Cable size)
 20A, 32A, 63A

Cable Rating
 2 - Level 2

Powering System (Connector Voltage Rating)
 1 - Single phase (250VAC)
 3 - Three phase (480VAC)

Cable Length (3 Digits)
XXX - Length in 0.1m*XXX (017 = 1.7m)

Sealing Method
 S - Sealed

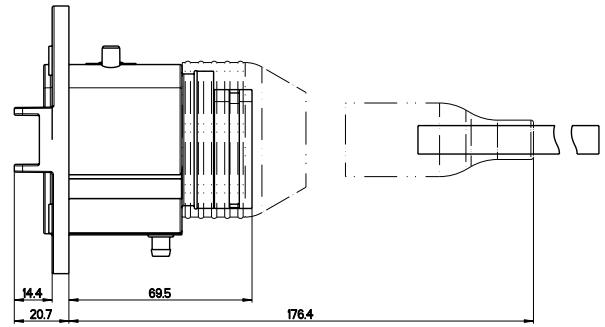
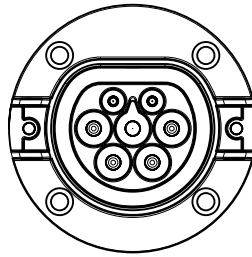
Direction of Cable Strain Relief
 0 - Straight cable strain relief
 1 - Angled cable strain relief (90° downwards, except for 63A)

Dust Cap
A - No dust cap supplied
C - Dust cap stainless steel lanyard (155mm).
D - Dust cap stainless steel lanyard (125mm)
E - Dust cap PA lanyard (155mm)
F - Dust cap PA lanyard (125mm)

Modification Code - If Applicable (3 digits)
001 to 999 - For customer specific modification
179 - Handles in black color

* Default handle color is white

ECIV Inlet



How to order

ECIV 20 2 1 -017 S 1 A 1 A 0 A 0 -001

Connector Series & Style

Current Rating (Cable size)

Cable Rating

Powering System (Connector Voltage Rating)

Cable Length (3 Digits)

Sealing Method

Compression Limiter / Metal Inserts in Flange Holes

Dust Cap / Spring Cap

Drain Spout

Locking Device

Rubber Boot

Mounting Hole Pattern

Flange Gasket

Modification Code - If Applicable (3 digits)

Explanation

Connector Series & style

ECIV - EVC IEC 62196 Type 2 Connector vehicle inlet

Current Rating (Cable size)

20A, 32A, 63A

Cable Rating

2 - Level 2

Powering System (Connector Voltage Rating)

1 - Single phase (250VAC)

3 - Three phase (480VAC)

Cable Length (3 Digits)

XXX - Length in 0.1m*XXX (017 = 1.7m)

Sealing Method

S - Sealed

Compression Limiter / Metal Inserts in Flange Holes

0 - Without compression limiter/inserts

1 - Compression limiter (front mounting)

2 - Compression limiter with threaded inserts M4 (front mounting)

3 - Compression limiter with threaded inserts M5 (front mounting)

Dust Cap / Spring Cap

A - No dust cap supplied

C - Dust cap stainless steel lanyard (155mm)

D - Dust cap stainless steel lanyard (125mm)

E - Dust cap PA lanyard (155mm)

G - With spring cap (Opening to left)

H - With spring cap (Opening to the right)

M - Dust Cap PA Lanyard, ring terminal (125mm)

N - Dust cap PA lanyard (125mm)

Drain Spout

0 - Without drain spout.

1 - With drain spout, without tube

2 - With drain spout with tube; 1m long

3 - With drain spout with tube, 2m long

Locking Device

A - No locking device

B - Motorized switch assembly (No male connector supplied for locking device)

C - Motorized switch assembly including connector and 300mm cable

D - Motorized switch assembly including connector and 300mm cable & socket contacts on single wires

Rubber Boot

0 - No rubber boot supplied

Mounting Hole Pattern

A - Standard pattern

Flange Gasket

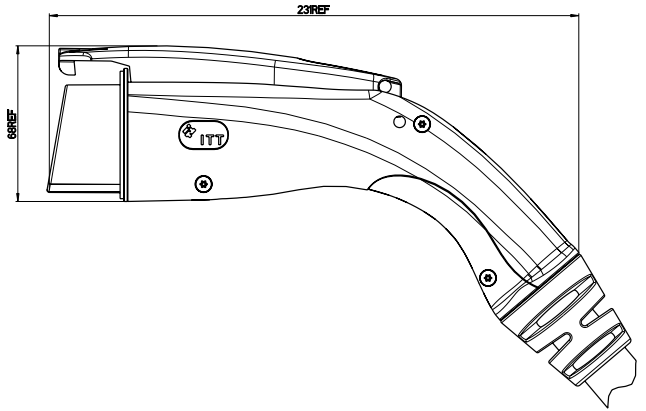
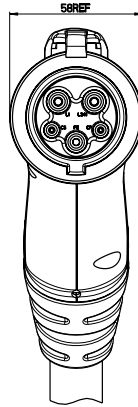
0 - No flange gasket supplied

1 - Flange gasket

Modification Code - If Applicable (3 digits)

001 to 999 - For customer specific modification

EJCV Connector



How to order

EJCV	20	2	1	-017	S	0	A	-001
------	----	---	---	------	---	---	---	------

Connector Series & Style

Current Rating (Cable size)

Cable Rating

Powering System (Connector Voltage Rating)

Cable Length (3 Digits)

Sealing Method

Direction of Cable Strain Relief

Dust Cap

Modification Code - If Applicable (3 digits)

Explanation

Connector Series & style*

EJCV - EVC IEC 62196 Type 1 Connector vehicle coupler

Current Rating (Cable size)

20A, 32A

Cable Rating

2 - Level 2

Powering System (Connector Voltage Rating)

1 - Single phase (250VAC)

Cable Length (3 Digits)

XXX - Length in 0.1m*XXX (017 = 1.7m)

Sealing Method

S - Sealed

Direction of Cable Strain Relief

0 - Straight cable strain relief

Dust Cap

A - No dust cap supplied

C - Dust cap stainless steel lanyard (155mm)

D - Dust cap stainless steel lanyard (125mm)

E - Dust cap PA lanyard (155mm)

F - Dust cap PA lanyard (125mm)

Modification Code - If Applicable (3 digits)

001 to 999 - For customer specific modification

179 - Handles in black color

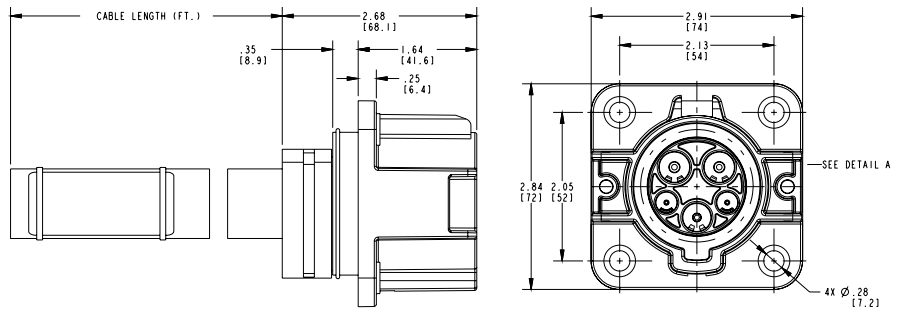
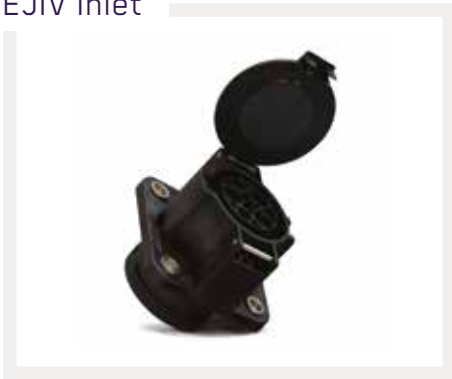
* Default handle color is white

Dimensions shown in mm

Specifications and dimensions subject to change

www.ittcannon.com

EJIV Inlet



How to order

EJIV 20 2 1 -017 S 0 A 0 A 0 A 0 -001

- Connector Series & Style
- Current Rating (Cable size)
- Cable Rating
- Powering System (Connector Voltage Rating)
- Cable Length (3 Digits)
- Sealing Method
- Compression Limiter / Metal Inserts in Flange Holes
- Dust Cap / Spring Cap
- Drain Spout
- Locking Device
- Rubber Boot
- Mounting Hole Pattern
- Flange Gasket
- Modification Code - If Applicable (3 digits)

Explanation

Connector Series & style

EJIV - EVC IEC 62196 Type 1 Connector vehicle inlet

Current Rating (Cable size)

20A, 32A

Cable Rating

2 - Level 2

Powering System (Connector Voltage Rating)

1 - Single phase (250VAC)

Cable Length (3 Digits)

XXX - Length in 0.1m*XXX (017 = 1.7m)

Sealing Method

S - Sealed

Compression Limiter / Metal Inserts in Flange Holes

0 - Without compression limiter/inserts

1 - Compression limiter (front mounting)

3 - Compression limiter with threaded inserts M5 (front mounting)

Dust Cap / Spring Cap

A - No dust cap supplied

G With spring cap (Opening to left)

H - With spring cap (Opening to right)

Drain Spout

0 - Without drain spout

Locking Device

A - No locking device

Rubber Boot

0 - No rubber boot supplied

Mounting Hole Pattern

A - Standard pattern

Flange Gasket

0 - No flange gasket supplied

1 - Flange gasket

Modification Code - If Applicable (3 digits)

001 to 999 - For customer specific modification



Dimensions shown in mm
Specifications and dimensions subject to change

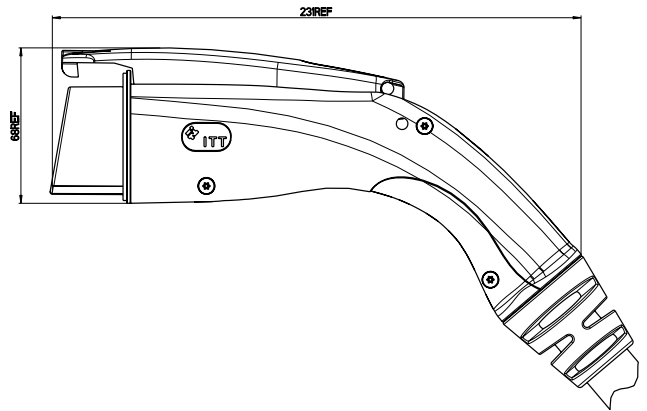
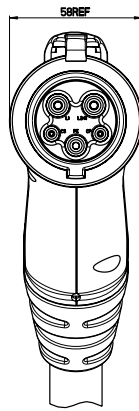
SAE J1772 electric vehicle charging solutions

ITT's SAE J1772 e-mobility solutions are built in accordance with SAE J1772 standard for AC Level 1 and Level 2 charging systems.

J1772 performance data	
Temperature Range	-30°C to +50°C
Durability	10,000 mating cycles min
Sealing Requirements	Meets UL50, Type 3R/3S
Certifications Connector	UL File E330790, PSE-JET on request
Certifications Cable	UL62, JET on request

- ### Key Features
- Drain holes at the bottom of the coupler connector/plug – eliminates latch freezing and includes protective shield from small diameter metal penetration to the wiring.
 - Textured coupler connector/plug handle – provides enhanced grip while in use.
 - Optional mating face protection – lanyard dust caps options for coupler connector/plug and spring cap options for inlets provide additional protection when connectors are not in use.

J2CE Connector



How to order

J2CE	16	1	1	-17	S	0	A	-001
------	----	---	---	-----	---	---	---	------

- Connector Series & Style
- Current Rating (Cable size)
- Cable Rating
- Powering System (Connector Voltage Rating)
- Cable Length (2 Digits)
- Sealing Method
- Direction of Cable Strain Relief
- Dust Cap
- Modification Code - If Applicable (3 digits)

Explanation

Connector Series & style*
J2CE - EVC SAE-J1772 Connector vehicle coupler

Current Rating (Cable size)
16 - 16A (level 1 only)
20 - 20A
30 - 30A (level 2 only)
32 - 32A (level 2 only)
40 - 40A (level 2 only)
48 - 48A (level 2 only)
75A - (Level 2 & canted coil spring contact only)
80A - (Level 2 & canted coil spring contact only)

Cable Rating
1 - Level 1
2 - Level 2

Powering System (Connector Voltage Rating)
1 - Single phase (120VAC for level 1, 240VAC for level 2)

Cable Length (2 digits)
XX - Length in ft. (17 = 17ft.)

Power Contact Type
L - Hyperboloid lamella contact
S - Canted coil spring contact

Direction of Cable Strain Relief

0 - Straight cable strain relief

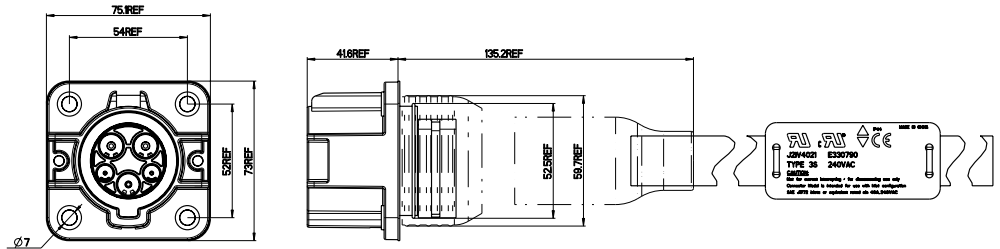
Dust Cap
A - No dust cap supplied
C - Dust cap stainless steel lanyard (6.1in)
D - Dust cap stainless steel lanyard (4.9in)
E - Dust cap PA lanyard (6.1in)
F - Dust cap PA lanyard (4.9in)

Modification Code - If Applicable (3 digits)
001 to 999 - For customer specific modification
179 - Handles in black color
273 - Cold temperature (flexible) cable (only for current ratings 30A-80A)
276 - Handles in black color + cold temperature (flexible) cable (only for current ratings 30A-80A)

* Default handle color is white

Dimensions shown in mm
 Specifications and dimensions subject to change

J2IV Inlet



How to order

J2IV 20 2 1 -17 S 1 A 0 A 0 A 0 -001

Connector Series & Style

Current Rating (Cable size)

Cable Rating

Powering System (Connector Voltage Rating)

Cable Length (2 Digits)

Sealing Method

Compression Limiter / Metal Inserts in Flange Holes

Dust Cap / Spring Cap

Drain Spout

Locking Device

Rubber Boot

Mounting Hole Pattern

Flange Gasket

Modification Code - If Applicable (3 digits)

Explanation

Connector Series & style

J2IV - EVC SAE-J1772 Connector vehicle inlet

Current Rating (Cable size)

20 - 20A

40 - 40A (level 2 only)

75 - 75A (level 2 only)

80 - 80A (level 2 only)

Cable Rating

1 - Level 1

2 - Level 2

Powering System (Connector Voltage Rating)

1 - Single phase (120V AC for level 1, 240VAC for levels 2)

Cable Length (2 Digits)

XX - Length in ft. (17 = 17ft)

Sealing Method

S - Sealed

Compression Limiter / Metal Inserts in Flange Holes

0 - Without compression limiter/inserts

1 - Compression limiter (front mounting)

3 - Compression limiter with threaded inserts M5 (front mounting)

Dust Cap / Spring Cap

A - No dust cap supplied.

G - With spring cap (Opening to left)

H - With spring cap (Opening to right)

Drain Spout

0 - Without drain spout

Locking Device

A - No locking device

Rubber Boot

0 - No rubber boot supplied

Mounting Hole Pattern

A - Standard pattern

Flange Gasket

0 - No flange gasket supplied

1 - Flange gasket

Modification Code - If Applicable (3 digits)

001 to 999 - For customer specific modification



GB/T electric vehicle charging solutions

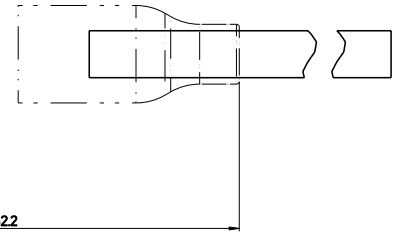
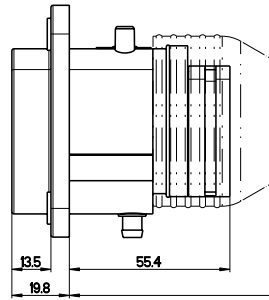
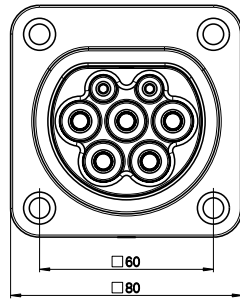
ITT's GB e-mobility solutions are built in accordance with GB-T 20234 standards for charging systems.

GB performance data	
Temperature Range	-30°C to +50°C
Durability	10,000 mating cycles min
Sealing Requirements	IP54/IP55
Certifications Connector	CQC 13029087619
Certifications Cable	CQC 1103 or 1104

Key Features

- Drain holes at the bottom of the coupler connector/plug – eliminates latch freezing and includes protective shield from small diameter metal penetration to the wiring.
- Textured coupler connector/plug handle – provides enhanced grip while in use.
- Optional mating face protection – lanyard dust caps options for coupler connector/plug and spring cap options for inlets provide additional protection when connectors are not in use.

GBIE Outlet



How to order

GBIE 16 2 1 -017 S 0 A 1 A 0 A 0 -001

Connector Series & style

Current Rating (Cable size)

Cable Rating

Powering System (Connector Voltage Rating)

Cable Length (3 Digits)

Sealing Method

Compression Limiter / Metal Inserts in Flange Holes

Dust Cap / Spring Cap

Drain Spout

Locking Device

Rubber Boot

Mounting Hole Pattern

Flange Gasket

Modification Code - If Applicable (3 digits)

Explanation

Connector Series & style

GBIE - EVC GB/T 20234 Connector EVSE inlet

Current Rating (Cable size)

10 - 10A (1 phase only)

16 - 16A

32 - 32A

Cable Rating

2 - Level 2

Powering System (Connector Voltage Rating)

1 - Single phase (250VAC)

3 - Three phase (440VAC)

Cable Length (3 Digits)

XXX - Length in 0.1m*XXX (017 = 1.7m)

Sealing Method

S - Sealed

Compression Limiter / Metal Inserts in Flange Holes

0 - Without compression limiter/inserts

1 - Compression limiter (front mounting)

3 - Compression limiter with threaded inserts M5 (front mounting)

Dust Cap / Spring Cap

A - No dust cap supplied

C - Dust cap stainless steel lanyard (155mm)

D - Dust cap stainless steel lanyard (125mm)

E - Dust cap PA lanyard (155mm)

F - Dust cap without lanyard, Sealing on OD

M - Dust Cap PA Lanyard, ring terminal (125mm)

N - Dust cap PA lanyard (125mm)

Drain Spout

0 - Without drain spout

1 - With drain spout without tube

2 - With drain spout with tube; 1m long

3 - With drain spout with tube, 2m long

Locking Device

A - No locking device

B - Motorized switch assembly (No male connector supplied for locking device).

C - Motorized switch assembly including connector & 300mm cable

D - Motorized switch assembly including connector & 300mm cable & socket contacts on single wires

E - Solenoid 12VDC assembly (cable length 250mm)

F - Solenoid 24VDC assembly (cable length 250mm)

G - Solenoid 12VDC assembly (same as cable length)

H - Solenoid 24VDC assembly (same as cable length)

Rubber Boot

0 - No rubber boot supplied

Mounting Hole Pattern

A - Standard pattern

Flange Gasket

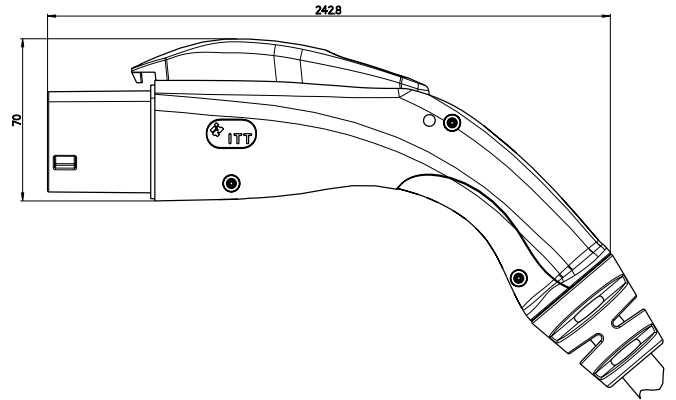
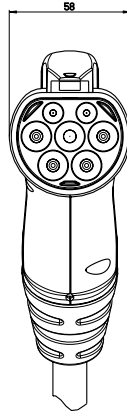
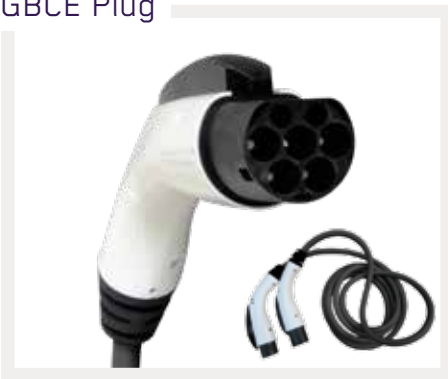
0 - No flange gasket supplied

1 - Flange gasket

Modification Code - If Applicable (3 digits)

001 to 999 - For customer specific modification

GBCE Plug



How to order

GBCE 16 2 1 -017 S 0 A -ECCV 0 A -001

Connector Series & Style

Current Rating (Cable size)

Cable Rating

Powering System (Connector Voltage Rating)

Cable Length (3 Digits)

Sealing Method

Direction of Cable Strain Relief

Dust Cap

Modification Code for mode 3 combination (4 Letters)

Direction of Cable Strain Relief

Dust Cap

Modification Code - If Applicable (3 digits)

Explanation

Connector Series & style*

GBCE - EVC GB/T 20234 MODE 3 connection cable
EVSE coupler to vehicle coupler

Current Rating (Cable size)

10 - 10A (1 phase only)

16 - 16A

32 - 32A

Cable Rating

2 - Level 2

Power System (Connector Voltage Rating)

1 - Single phase (250VAC)

3 - Three phase (440VAC)

Cable Length (3 Digits)

XXX - Length in 0.1m*XXX (017 = 1.7m)

Sealing Method

S - Sealed

* Default handle color is white

Direction of Cable Strain Relief

0 - Straight cable strain relief

Dust Cap

A - No dust cap supplied

B - Dust cap rubber lanyard

C - Dust cap stainless steel lanyard (155mm)

D - Dust cap stainless steel lanyard (125mm)

E - Dust cap PA lanyard (155mm)

F - Dust cap PA lanyard (125mm)

Modification Code for mode 3 combination (4 Letters)

ECCV - Connection cable IEC type 2 connector on 2-end

GBCV - Connection cable GBCV connector on 2-end

EJCV - Connection cable IEC type 1 connector on 2-end
(same connector as J2CE)

J2CE - Connection cable SAE-J1772 connector 2-end
(same connector as EJCV)

Direction of Cable Strain Relief

0 - Straight cable strain relief

Dust Cap

A - No dust cap supplied

B - Dust cap rubber lanyard

C - Dust cap stainless steel lanyard (155mm)

D - Dust cap stainless steel lanyard (125mm)

E - Dust cap PA lanyard (155mm)

F - Dust cap PA lanyard (125mm)

Modification Code - If Applicable (3 digits)

001 to 999 - For customer specific modification

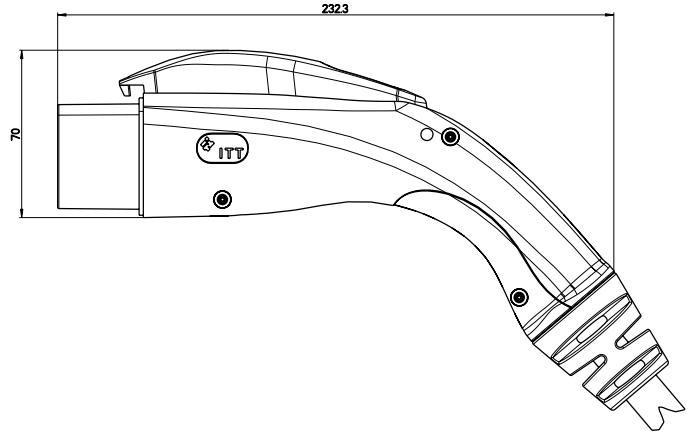
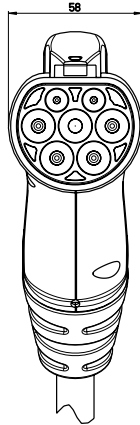
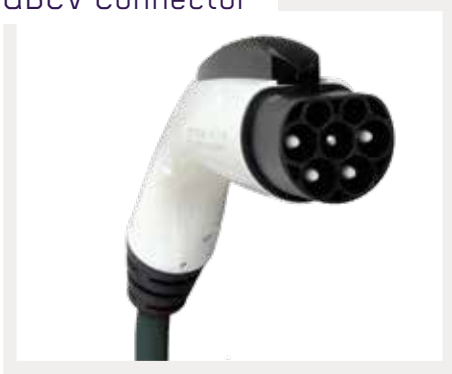
179 - Handles in black color

Dimensions shown in mm

Specifications and dimensions subject to change

www.ittcannon.com

GBCV Connector



How to order

GBCV 16 2 1 -017 S 0 A -001

Connector Series & Style

Current Rating (Cable size)

Cable Rating

Powering System (Connector Voltage Rating)

Cable Length (3 Digits)

Sealing Method

Direction of Cable Strain Relief

Dust Cap

Modification Code - If Applicable (3 digits)

Explanation

Connector Series & style*

GBCV - EVC GB/T 20234 Connector vehicle coupler

Current Rating (Cable size)

10 - 10A (1 phase only)

16 - 16A

32 - 32A

Cable Rating

2 - Level 2

Powering System (Connector Voltage Rating)

1 - Single phase (250VAC)

3 - Three phase (440VAC)

Cable Length (3 Digits)

XXX - Length in 0.1m*XXX (017 = 1.7m)

Sealing Method

S - Sealed

Direction of Cable Strain Relief

0 - Straight cable strain relief

Dust Cap

A - No dust cap supplied

B - Dust cap rubber lanyard

C - Dust cap stainless steel lanyard (155mm)

D - Dust cap stainless steel lanyard (125mm)

E - Dust cap PA lanyard (155mm)

F - Dust cap PA lanyard (125mm)

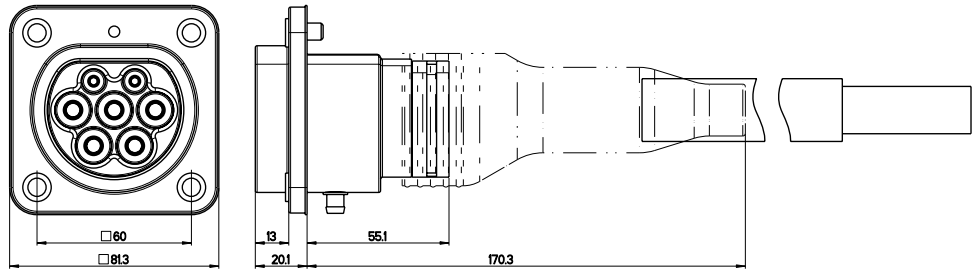
Modification Code - If Applicable (3 digits)

001 to 999 - For customer specific modification

179 - Handles in black color

* Default handle color is white

GBIV Inlet



How to order

GBIV 16 2 1 -017 S 0 A 1 A 0 A 0 -001

Connector Series & Style

Current Rating (Cable size)

Cable Rating

Powering System (Connector Voltage Rating)

Cable Length (3 Digits)

Sealing Method

Compression Limiter / Metal Inserts in Flange Holes

Dust Cap / Spring Cap

Drain Spout

Locking Device

Rubber Boot

Mounting Hole Pattern

Flange Gasket

Modification Code - If Applicable (3 digits)

Explanation

Connector Series & style

GBIV - EVC GB/T 20234 Connector vehicle inlet

Current Rating (Cable size)

10 - 10A (1 phase only)

16 - 16A

32 - 32A

Cable Rating

2 - Level 2

Powering System (Connector Voltage Rating)

1 - Single phase (250VAC)

3 - Three phase (440VAC)

Cable Length (3 Digits)

XXX - Length in 0.1m*XXX (017 = 1.7m)

Sealing Method

S - Sealed

Compression Limiter / Metal Inserts in Flange Holes

0 - Without compression limiter/inserts

1 - Compression limiter (front mounting)

3 - Compression limiter with threaded inserts
M5 (front mounting)

Dust Cap / Spring Cap

A - No dust cap supplied

C - Dust cap stainless steel lanyard (155mm)

D - Dust cap stainless steel lanyard (125mm)

E - Dust cap PA lanyard (155mm)

F - Dust cap without lanyard for OD

M - Dust Cap PA Lanyard, ring terminal (125mm)

N - Dust cap PA lanyard (125mm)

Drain Spout

0 - Without drain spout

1 - With drain spout without tube

2 - With drain spout with tube; 1m long

3 - With drain spout with tube, 2m long

Locking Device

A - No locking device

B - Motorized switch assembly (No male connector supplied for locking device)

C - Motorized switch assembly including connector & 300mm cable

D - Motorized switch assembly including connector & 300mm cable & socket contacts on single wires

Rubber Boot

0 - No rubber boot supplied

Mounting Hole Pattern

A - Standard pattern

Flange Gasket

0 - No flange gasket supplied

1 - With flange gasket

Modification Code - If Applicable (3 digits)

001 to 999 - For customer specific modification

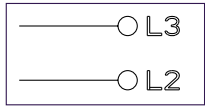
Dimensions shown in mm

Specifications and dimensions subject to change

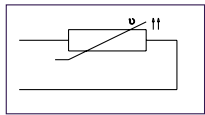
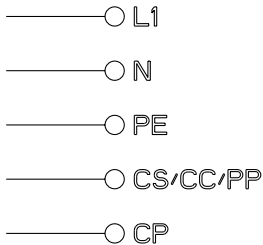
www.ittcannon.com

EV wiring plans

ECIER/ECIV/GBIE/GBIV

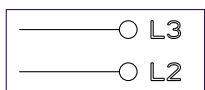


L2 and L3 for 3 phase connectors only

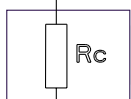
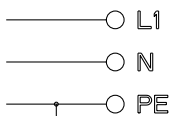


Temperature sensor
GBIE/GBIV 32A and 63A only

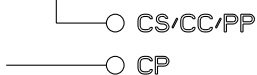
ECCE/ECCV



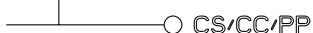
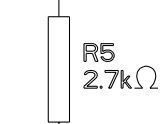
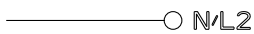
L2 and L3 for 3 phase connectors only



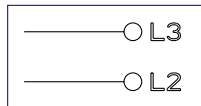
Current Ratings	Rc
20A	680Ω/0.5W
32A	220Ω/0.5W
63A	100Ω/0.5W



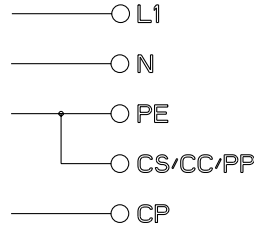
J2IV/EJIV



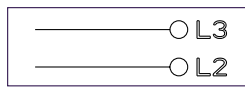
GBCE



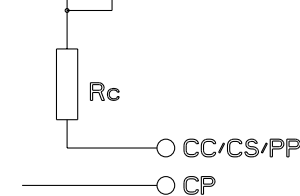
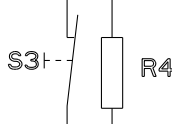
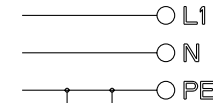
L2 and L3 for 3 phase connectors only



GBCV/J2CE/EJCV



L2 and L3 for 3 phase connectors GBCV only



Current Ratings GBCV	R4	Rc
10A	1.8KΩ/0.5W	1.5KΩ/0.5W
16A	2.7KΩ/0.5W	680Ω/0.5W
32A	3.3KΩ/0.5W	220Ω/0.5W
63A	3.3KΩ/0.5W	100Ω/0.5W

Current Ratings J2CE/EJCV	R4 (R7)	Rc (R6)
All ratings	330Ω/1W	150Ω/3W

Additional ITT Cannon products for e-mobility applications



APD SERIES

This full-plastic, proven bayonet series with IP69K sealing and color and mechanical coding is an ideal solution for harsh environments that require high sealing grades.



TRIDENT SERIES

This versatile range of metal and plastic electrical connectors with fully interchangeable contacts is available in rectangular and circular configurations, supporting the widest variety of harsh-environment applications.



CCS1 & CCS2 COOLED HIGH POWER CHARGING SOLUTIONS

This innovative liquid cooled solution can deliver a charge of 500 A at 1,000 V and consists of connector, cable and optional cooling unit. The weight optimized cable design and minimized cable diameter delivers a highly flexible, ergonomic and easy-to-use solution.



CCS1 & CCS2 UNCOOLED CHARGING SOLUTIONS

This uncooled DC charging connector and cable solution is versatile, simple to install and service in-field and engineered to be easily customizable to meet specific customer applications and needs.

Connect with your ITT Cannon representative today
or visit us at www.ittcannon.com

Connect with the experts

ITT Cannon is a world leader in the design and manufacture of highly engineered solutions for global e-mobility markets.



Why ITT

ITT is a focused multi-industrial company that designs and manufactures highly engineered critical components and customized technology solutions. ITT's Cannon brand is a leading global manufacturer of connector products serving international customers in aerospace, defense, medical, industrial and transportation end markets. ITT's Connector business, which also includes the Veam and BIW Connector Systems brand, manufactures and supplies a variety of connectors and interconnects that make it possible to transfer data, signal and power in an increasingly connected world.

Connect with your ITT Cannon representative today or visit us at www.ittcannon.com

Follow us 

CHINA - Shenzhen City
+86.755.2726.7888

GERMANY - Weinstadt
+49.7151.699.0

ITALY - Lainate
+39.02938721

KOREA
+82.2.702.7111

SHANGHAI
+ 86.21.2231.2222.2

UK - Basingstoke
+44.1256.347400

FRANCE
+33.1.60.04.93.93

HONG KONG
+852.2732.2720

JAPAN - Kanagawa
+81.462.57.2010

MEXICO - Nogales
+52.631.311005

SINGAPORE
+65 66974205

USA - Irvine, CA
+1.800.854.3028