

- Ⓐ AP6116 HOSE ASSY .25" x 240' - RF ROD END
- Ⓑ AP51468 HOSE ASSY .25/05 x 232' - RF CAP END
- Ⓒ AP6116 HOSE ASSY .25" x 240' - LF ROD END
- Ⓓ AP51468 HOSE ASSY .25/05 x 232' - LF CAP END
- Ⓔ AP4164 HOSE ASSY .25" x 384' - RR ROD END
- Ⓕ AP50407 HOSE ASSY .25/05 x 360' - RR CAP END
- Ⓖ AP4164 HOSE ASSY .25" x 384' - LR ROD END
- Ⓗ AP50407 HOSE ASSY .25/05 x 360' - LR CAP END
- Ⓘ AP4159 HOSE ASSY .25" x 72' - PRESSURE TO REMOTE MANIFOLD
- Ⓣ P6114 RETURN LINE .5" x 72' - RETURN FROM REMOTE MANIFOLD

NOTE: INSTALLATION MUST CONFORM TO GOOD SHOP PRACTICES, SAE STANDARDS, RVIA STANDARDS, AND OTHER APPLICABLE STANDARDS. LEVELING SYSTEM: AP52488

1	20JUL15	UPDATED HOSES
NO.	DATE	REVISION

HWH I-80 EXIT 267 SOUTH
 RT 1 MOSCOW, IOWA 52760

SCALE 1:6 DATE 04DEC13 DRAWN BY .

HYD CONN DIAGRAM

THE INFORMATION DISCLOSED ON THIS DRAWING IS CONFIDENTIAL AND MUST NOT BE DISCLOSED OR USED IN ANY MANNER WHICH WILL BE DETRIMENTAL TO THE HWH CORPORATION

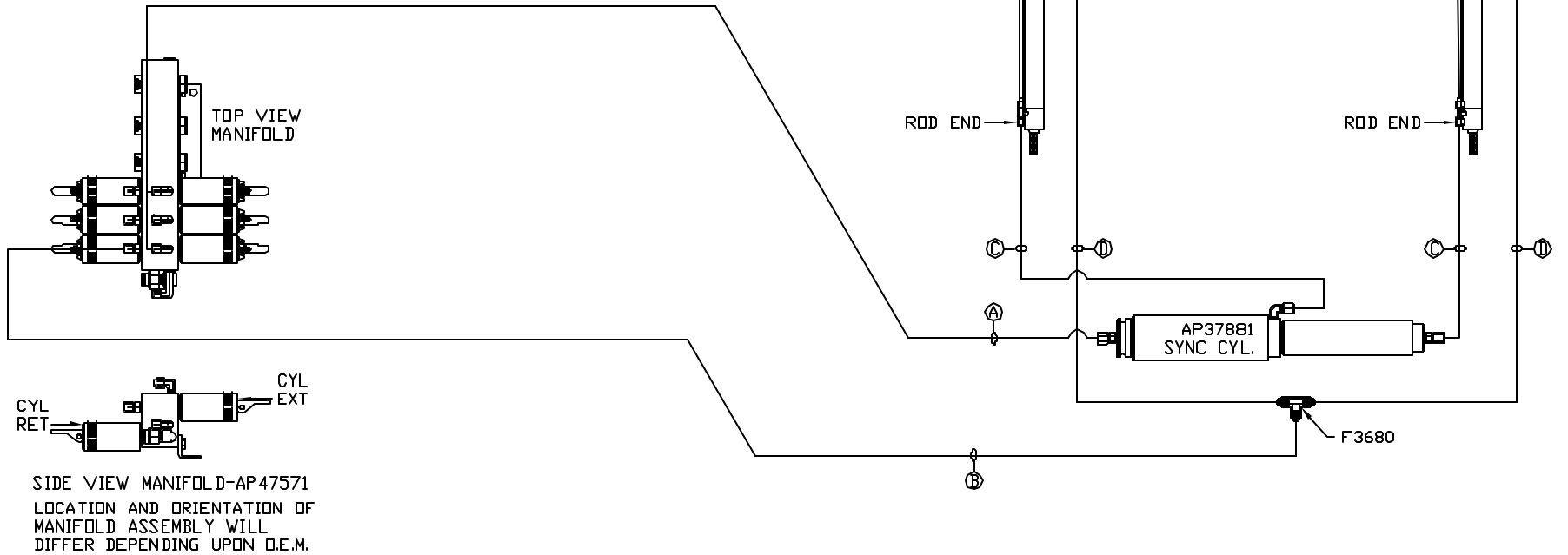
KIBBI

DRAWING NUMBER
 MP70694 A/E

AP50208 HOSE KIT ROOM 1

- Ⓐ AP4161 HOSE ASSY .25" x 120"
ROD END - ALWAYS PRESSURIZED
- Ⓑ AP4062 HOSE ASSY .25" x 132"
CAP END
- Ⓒ AP49517 HOSE ASSY 03 x 180"
WAS AP24646 HOSE ASSY HWH02HP x 156"
ROD END - ALWAYS PRESSURIZED - MUST
MAINTAIN EQUAL LENGTH AND DIAMETER
- Ⓓ AP51635 HOSE ASSY 03 x 216"
WAS AP24652 HOSE ASSY HWH02HP x 192"
CAP END - MUST MAINTAIN EQUAL LENGTH
AND DIAMETER

NOTE: HOSES Ⓒ AND Ⓓ SHIP LOOSE.



NOTE: INSTALLATION MUST CONFORM TO GOOD SHOP PRACTICES, SAE STANDARDS, RVIA STANDARDS, AND OTHER APPLICABLE STANDARDS.

MP70694 B/E
20JUL15

AP50209 HOSE KIT ROOM 2

Ⓐ AP52740 HOSE ASSY 03 X 480"
WAS AP36651 HOSE ASSY HWH02HP X 480"
ROD END - ALWAYS PRESSURIZED

Ⓑ AP6218 HOSE ASSY .25" X 480"
CAP END

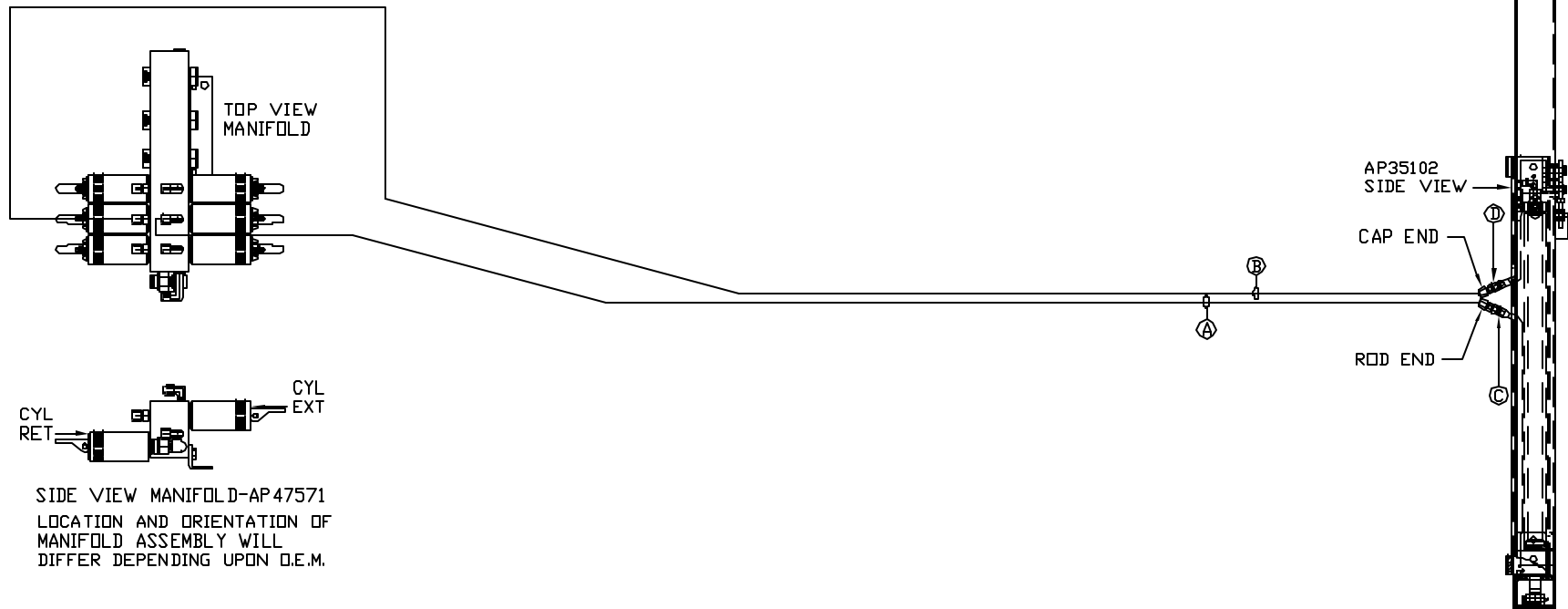
Ⓒ AP24628 HOSE ASSY HWH02HP X 24.25"
ROD END - ALWAYS PRESSURIZED

Ⓓ AP24632 HOSE ASSY HWH02HP X 48"
CAP END

NOTE: HOSES Ⓒ AND Ⓓ ARE INCLUDED
WITH THE ROOM EXTENSION MECHANISM.

NOTE: HOSES Ⓐ AND Ⓑ NEED TO BE PLUGGED.

ROOM #2
AP47905
BED SLIDE KIT



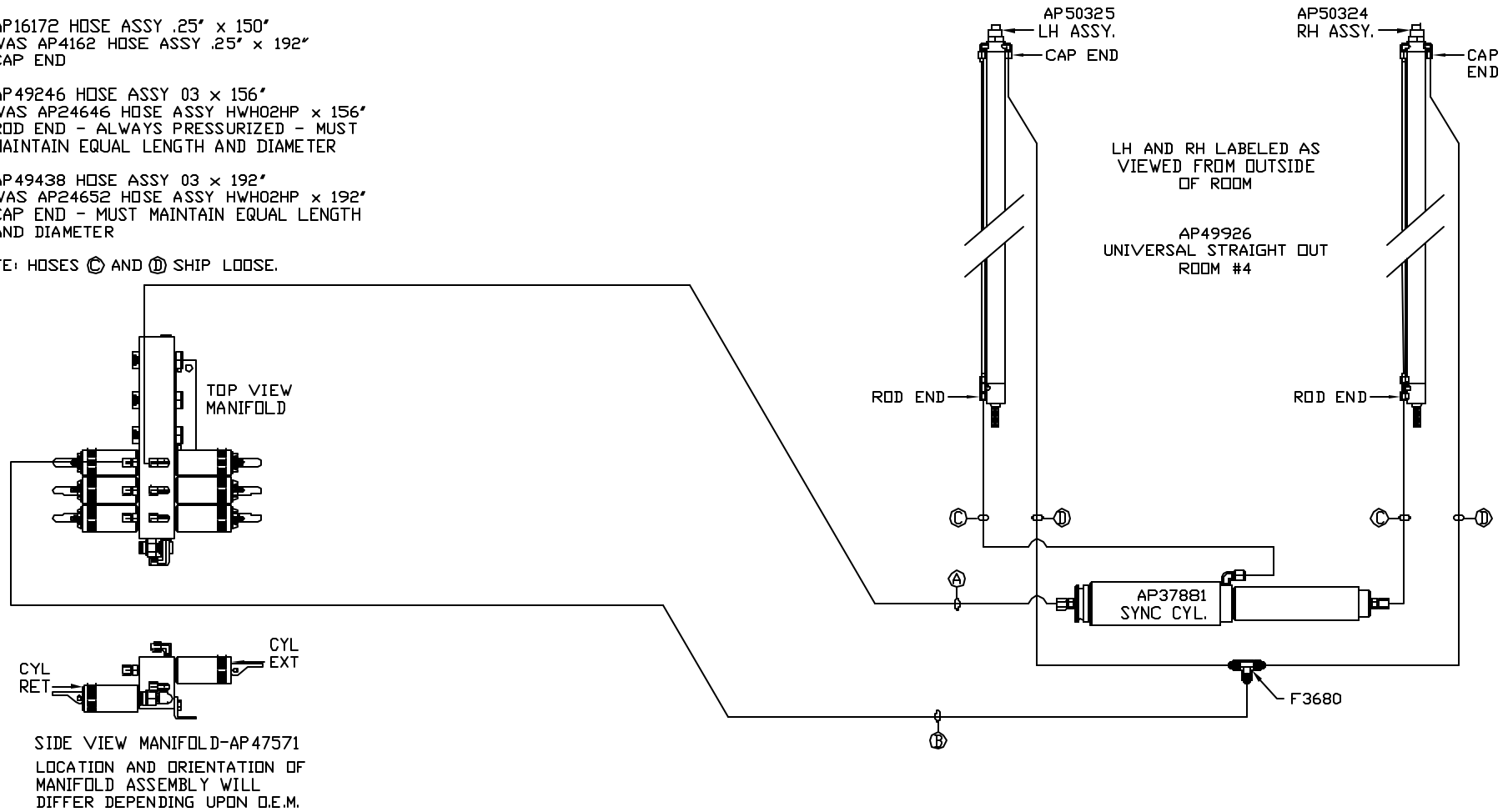
NOTE: INSTALLATION MUST CONFORM TO GOOD SHOP PRACTICES, SAE
STANDARDS, RVIA STANDARDS, AND OTHER APPLICABLE STANDARDS.

MP70694 C/E
20JUL15

AP50211 HOSE KIT ROOM 4

- Ⓐ AP4827 HOSE ASSY .25' x 144'
ROD END - ALWAYS PRESSURIZED
- Ⓑ AP16172 HOSE ASSY .25' x 150'
WAS AP4162 HOSE ASSY .25' x 192"
CAP END
- Ⓒ AP49246 HOSE ASSY 03 x 156'
WAS AP24646 HOSE ASSY HWH02HP x 156'
ROD END - ALWAYS PRESSURIZED - MUST
MAINTAIN EQUAL LENGTH AND DIAMETER
- Ⓓ AP49438 HOSE ASSY 03 x 192'
WAS AP24652 HOSE ASSY HWH02HP x 192'
CAP END - MUST MAINTAIN EQUAL LENGTH
AND DIAMETER

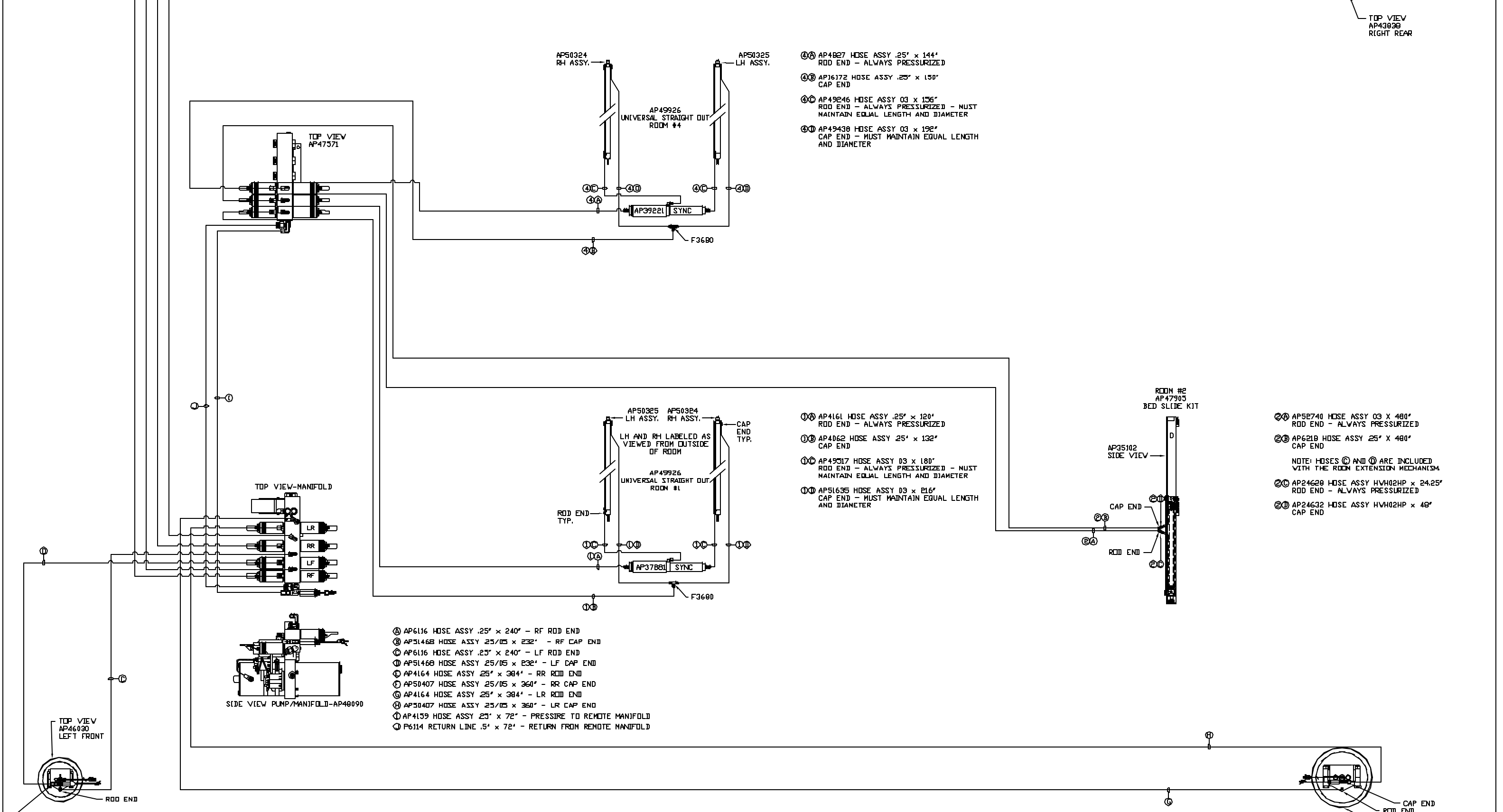
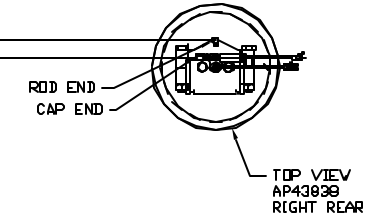
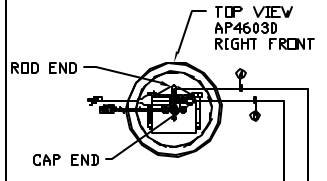
NOTE: HOSES Ⓒ AND Ⓓ SHIP LOOSE.



NOTE: INSTALLATION MUST CONFORM TO GOOD SHOP PRACTICES, SAE
STANDARDS, RVIA STANDARDS, AND OTHER APPLICABLE STANDARDS.

MP70694 D/E
20JUL15

ORIENTATION
FRONT



- ④A AP4827 HOSE ASSY .25" x 144'
ROD END - ALWAYS PRESSURIZED
- ④B AP16172 HOSE ASSY .25" x 150'
CAP END
- ④C AP49246 HOSE ASSY 03 x 136"
ROD END - ALWAYS PRESSURIZED - MUST
MAINTAIN EQUAL LENGTH AND DIAMETER
- ④D AP49438 HOSE ASSY 03 x 192"
CAP END - MUST MAINTAIN EQUAL LENGTH
AND DIAMETER

- ①A AP4161 HOSE ASSY .25" x 120'
ROD END - ALWAYS PRESSURIZED
- ①B AP4062 HOSE ASSY .25" x 132'
CAP END
- ①C AP49517 HOSE ASSY 03 x 180"
ROD END - ALWAYS PRESSURIZED - MUST
MAINTAIN EQUAL LENGTH AND DIAMETER
- ①D AP51635 HOSE ASSY 03 x 216"
CAP END - MUST MAINTAIN EQUAL LENGTH
AND DIAMETER

- ②A AP58740 HOSE ASSY 03 X 480'
ROD END - ALWAYS PRESSURIZED
- ②B AP621B HOSE ASSY .25" X 480'
CAP END
- NOTE: HOSES ②C AND ②D ARE INCLUDED
WITH THE ROOM EXTENSION MECHANISM.
- ②C AP24628 HOSE ASSY HVH02HP x 24.25"
ROD END - ALWAYS PRESSURIZED
- ②D AP24632 HOSE ASSY HVH02HP x 48"
CAP END

- ④ AP6116 HOSE ASSY .25" x 240" - RF ROD END
- ⑤ AP51468 HOSE ASSY .25/05 x 232" - RF CAP END
- ⑥ AP6116 HOSE ASSY .25" x 240" - LF ROD END
- ⑦ AP51468 HOSE ASSY .25/05 x 232" - LF CAP END
- ⑧ AP4164 HOSE ASSY .25" x 384" - RR ROD END
- ⑨ AP50407 HOSE ASSY .25/05 x 360" - RR CAP END
- ⑩ AP4164 HOSE ASSY .25" x 384" - LR ROD END
- ⑪ AP50407 HOSE ASSY .25/05 x 360" - LR CAP END
- ⑫ AP4159 HOSE ASSY .25" x 72" - PRESSURE TO REMOTE MANIFOLD
- ⑬ P6114 RETURN LINE .5" x 72" - RETURN FROM REMOTE MANIFOLD

NOTE: INSTALLATION MUST CONFORM TO GOOD SHOP PRACTICES, SAE STANDARDS, RVIA STANDARDS, AND OTHER APPLICABLE STANDARDS.