

- Ⓐ AP6116 HOSE ASSY .25" x 240" - RF ROD END
- Ⓑ AP45368 HOSE ASSY .25/05 x 216" - RF CAP END
- Ⓒ AP6116 HOSE ASSY .25" x 240" - LF ROD END
- Ⓓ AP45368 HOSE ASSY .25/05 x 216" - LF CAP END
- Ⓔ AP4164 HOSE ASSY .25" x 384" - RR ROD END
- Ⓕ AP50407 HOSE ASSY .25/05 x 360" - RR CAP END
- Ⓖ AP4164 HOSE ASSY .25" x 384" - LR ROD END
- Ⓗ AP50407 HOSE ASSY .25/05 x 360" - LR CAP END
- Ⓘ AP4159 HOSE ASSY .25" x 72" - PRESSURE TO REMOTE MANIFOLD
- Ⓣ P6114 RETURN LINE .5" x 72" - RETURN FROM REMOTE MANIFOLD

NOTE: INSTALLATION MUST CONFORM TO GOOD SHOP PRACTICES, SAE STANDARDS, RVIA STANDARDS, AND OTHER APPLICABLE STANDARDS. LEVELING SYSTEM: AP50268

NO.	DATE	REVISION
2	20JUL15	UPDATED HOSES
1	30JUL12	UPDATED HOSES

HWH I-80 EXIT 267 SOUTH
 RT 1 MOSCOW, IOWA 52760

SCALE: 1:6 DATE 30MAY12 DRAWN BY .

HYD CONN DIAGRAM

THE INFORMATION DISCLOSED ON THIS DRAWING IS CONFIDENTIAL AND MUST NOT BE DISCLOSED OR USED IN ANY MANNER WHICH WILL BE DETRIMENTAL TO THE HWH CORPORATION

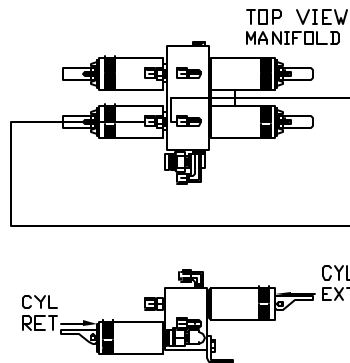
KIBBI DRAWING NUMBER
 MP70540 A/D

AP50208 HOSE KIT ROOM 1

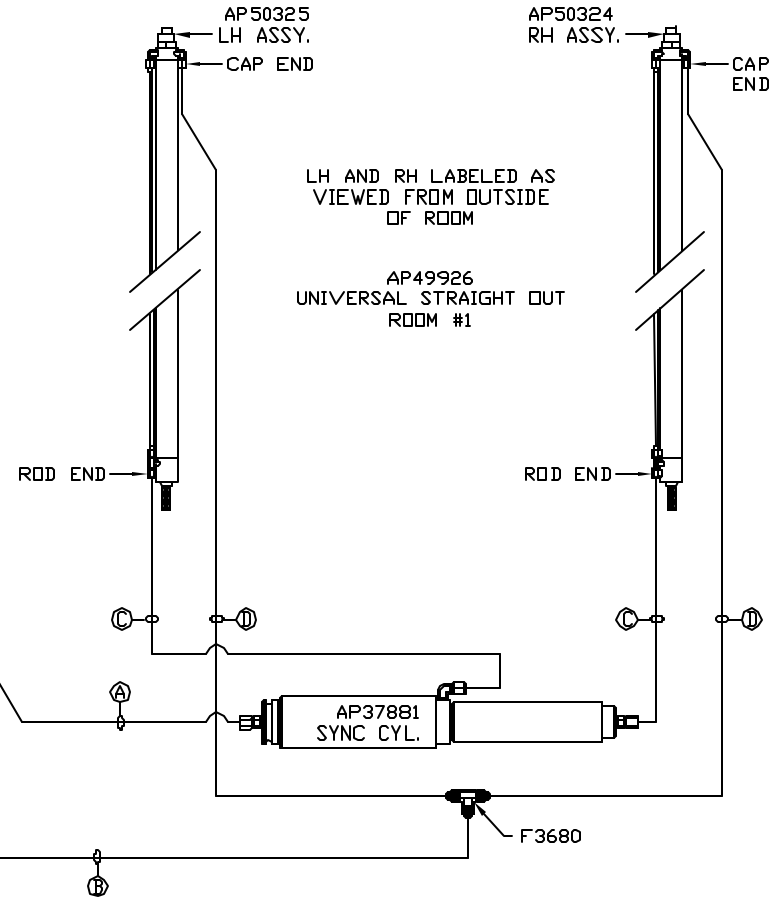
- Ⓐ AP4161 HOSE ASSY .25" x 120"
ROD END - ALWAYS PRESSURIZED
- Ⓑ AP4062 HOSE ASSY .25" x 132"
WAS AP4162 HOSE ASSY .25" x 192"
CAP END
- Ⓒ AP49517 HOSE ASSY 03 x 180"
WAS AP24646 HOSE ASSY HWH02HP x 156"
ROD END - ALWAYS PRESSURIZED - MUST
MAINTAIN EQUAL LENGTH AND DIAMETER
- Ⓓ AP51635 HOSE ASSY 03 x 216"
WAS AP24652 HOSE ASSY HWH02HP x 192"
CAP END - MUST MAINTAIN EQUAL LENGTH
AND DIAMETER

NOTE: HOSE Ⓒ WAS AP49437 HOSE ASSY 03 x 144" AND
AP24639 HOSE ASSY HWH02HP x 96"
HOSE Ⓓ WAS AP4065 HOSE ASSY .25" x 156" AND
AP24644 HOSE ASSY HWH02HP x 132"

NOTE: HOSES Ⓒ AND Ⓓ SHIP LOOSE.



SIDE VIEW MANIFOLD-AP50289
LOCATION AND ORIENTATION OF
MANIFOLD ASSEMBLY WILL
DIFFER DEPENDING UPON O.E.M.



NOTE: INSTALLATION MUST CONFORM TO GOOD SHOP PRACTICES, SAE
STANDARDS, RVIA STANDARDS, AND OTHER APPLICABLE STANDARDS.

MP70540 B/D
20JUL15

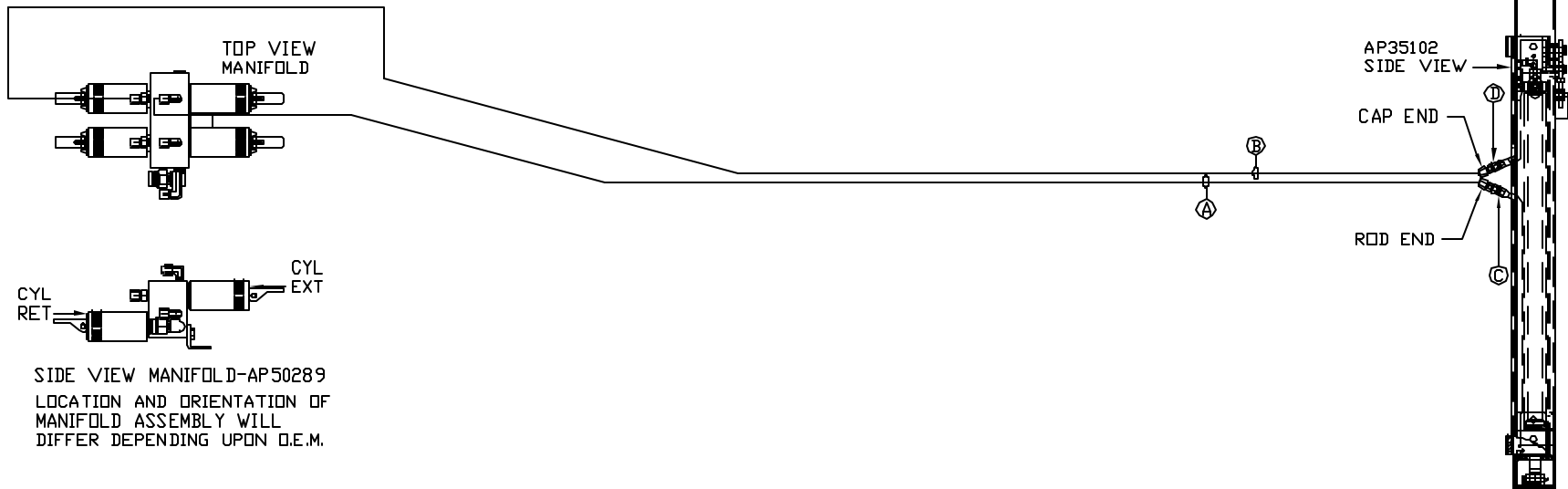
AP50209 HOSE KIT ROOM 2

- Ⓐ AP52740 HOSE ASSY 03 X 480'
WAS AP36651 HOSE ASSY HWH02HP X 480'
WAS AP50396 HOSE ASSY 03 X 480'
ROD END - ALWAYS PRESSURIZED
- Ⓑ AP6218 HOSE ASSY .25" X 480'
CAP END
- Ⓒ AP24628 HOSE ASSY HWH02HP X 24.25'
ROD END - ALWAYS PRESSURIZED
- Ⓓ AP24632 HOSE ASSY HWH02HP X 48'
CAP END

NOTE: HOSES Ⓒ AND Ⓓ ARE INCLUDED WITH THE ROOM EXTENSION MECHANISM.

NOTE: HOSES Ⓐ AND Ⓑ NEED TO BE PLUGGED.

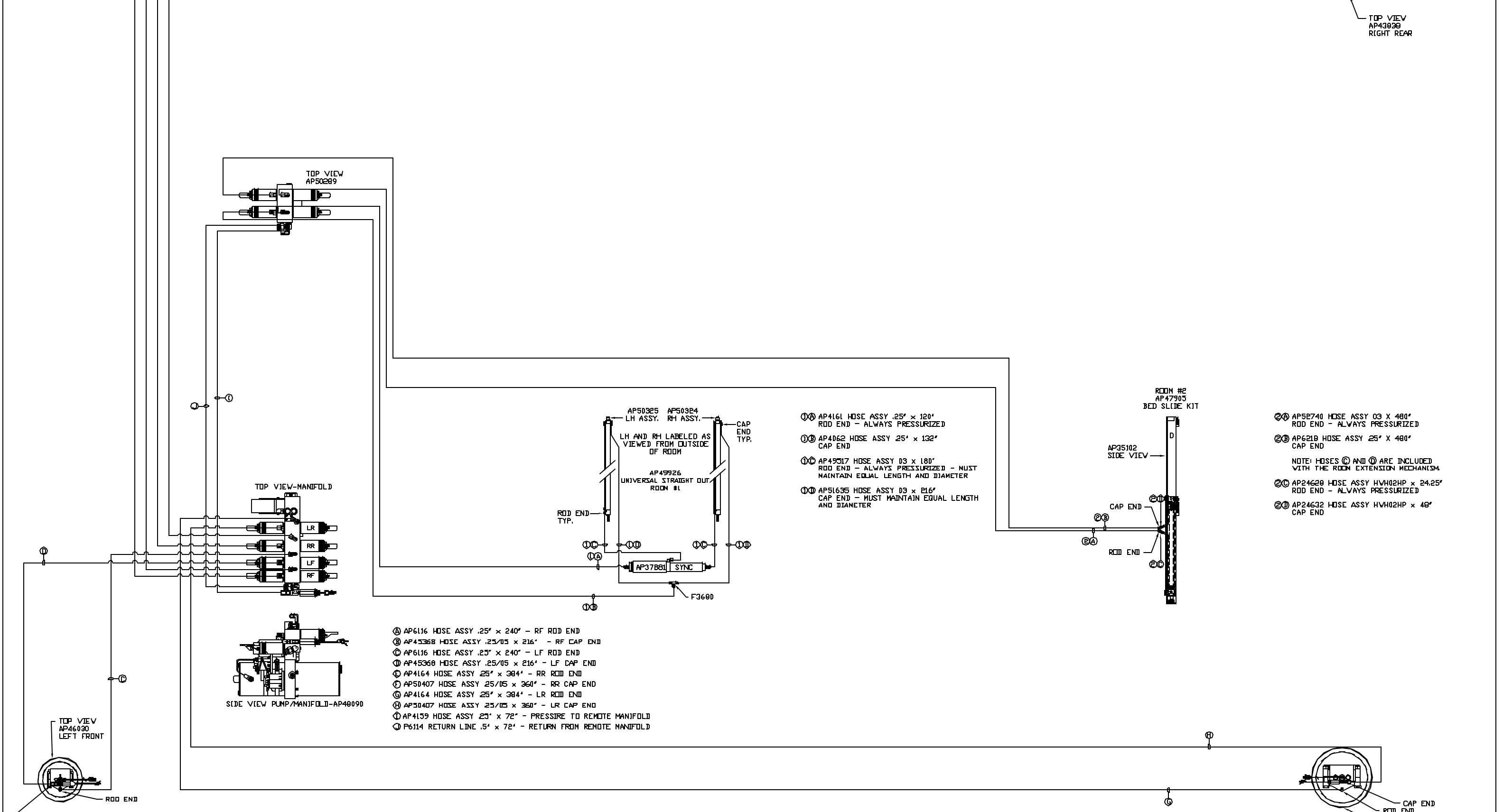
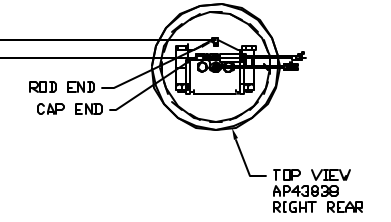
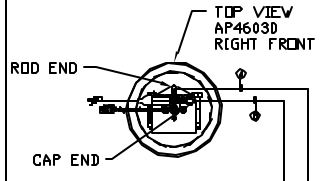
ROOM #2
AP47905
BED SLIDE KIT



NOTE: INSTALLATION MUST CONFORM TO GOOD SHOP PRACTICES, SAE STANDARDS, RVIA STANDARDS, AND OTHER APPLICABLE STANDARDS.

MP70540 C/D
20JUL15

ORIENTATION
FRONT



- ①④ AP4161 HOSE ASSY .25" x 120'
ROD END - ALWAYS PRESSURIZED
- ①⑤ AP4062 HOSE ASSY .25" x 132'
CAP END
- ①⑥ AP49517 HOSE ASSY 03 x 180'
ROD END - ALWAYS PRESSURIZED - MUST
MAINTAIN EQUAL LENGTH AND DIAMETER
- ①⑩ AP51635 HOSE ASSY 03 x 216'
CAP END - MUST MAINTAIN EQUAL LENGTH
AND DIAMETER

- ②④ AP52740 HOSE ASSY 03 x 480'
ROD END - ALWAYS PRESSURIZED
 - ②⑤ AP621B HOSE ASSY .25" x 480'
CAP END
- NOTE: HOSES ② AND ④ ARE INCLUDED
WITH THE ROOM EXTENSION MECHANISM.
- ②⑥ AP24628 HOSE ASSY HVH02HP x 24.25'
ROD END - ALWAYS PRESSURIZED
 - ②⑦ AP24632 HOSE ASSY HVH02HP x 48'
CAP END

- ④ AP6116 HOSE ASSY .25" x 240' - RF ROD END
- ⑤ AP45368 HOSE ASSY .25/05 x 216' - RF CAP END
- ⑥ AP6116 HOSE ASSY .25" x 240' - LF ROD END
- ⑦ AP45368 HOSE ASSY .25/05 x 216' - LF CAP END
- ⑧ AP4164 HOSE ASSY .25" x 384' - RR ROD END
- ⑨ AP50407 HOSE ASSY .25/05 x 360' - RR CAP END
- ⑪ AP4164 HOSE ASSY .25" x 384' - LR ROD END
- ⑫ AP50407 HOSE ASSY .25/05 x 360' - LR CAP END
- ⑬ AP4159 HOSE ASSY .25" x 72' - PRESSURE TO REMOTE MANIFOLD
- ⑭ P6114 RETURN LINE .5" x 72' - RETURN FROM REMOTE MANIFOLD

NOTE: INSTALLATION MUST CONFORM TO GOOD SHOP PRACTICES, SAE STANDARDS, RVIA STANDARDS, AND OTHER APPLICABLE STANDARDS.