



Code Learning:

A.) When the power is turned on, within 5 seconds, press button 1 and button 2 at the same time. The system will then enter the code learning mode. The UNLOCK OUTPUT will trigger to remind you that the system is in code learning mode.

B.) Within 5 seconds after entering the code learning mode, press any button on the transmitter. The UNLOCK OUTPUT will trigger to tell you the transmitter has been recognized and is compatible **with the** system. A maximum of 12 transmitters can be coded per system.

C.) During code learning, if there is no action after 5 seconds, the system will exit the code learning mode. The UNLOCK OUTPUT will be the reminder.

Button Functions:

A.) Press button 1 to lock.

B.) Press button 2 to unlock.

Input Signals: Default Negative

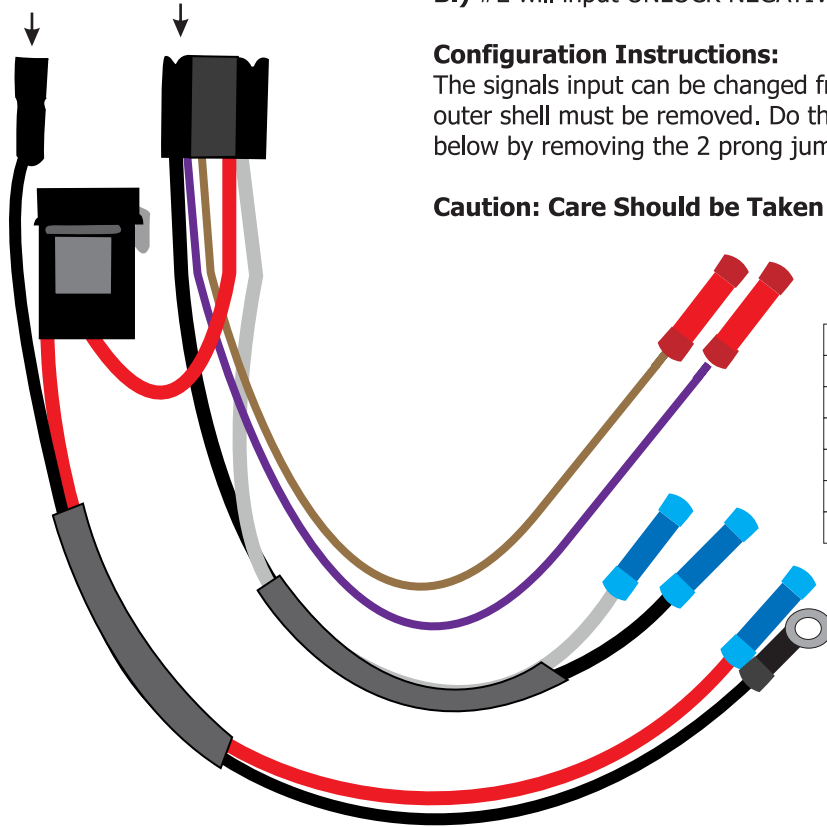
A.) #3 will input LOCK NEGATIVE/POSITIVE SIGNAL.

B.) #2 will input UNLOCK NEGATIVE/POSITIVE SIGNAL.

Configuration Instructions:

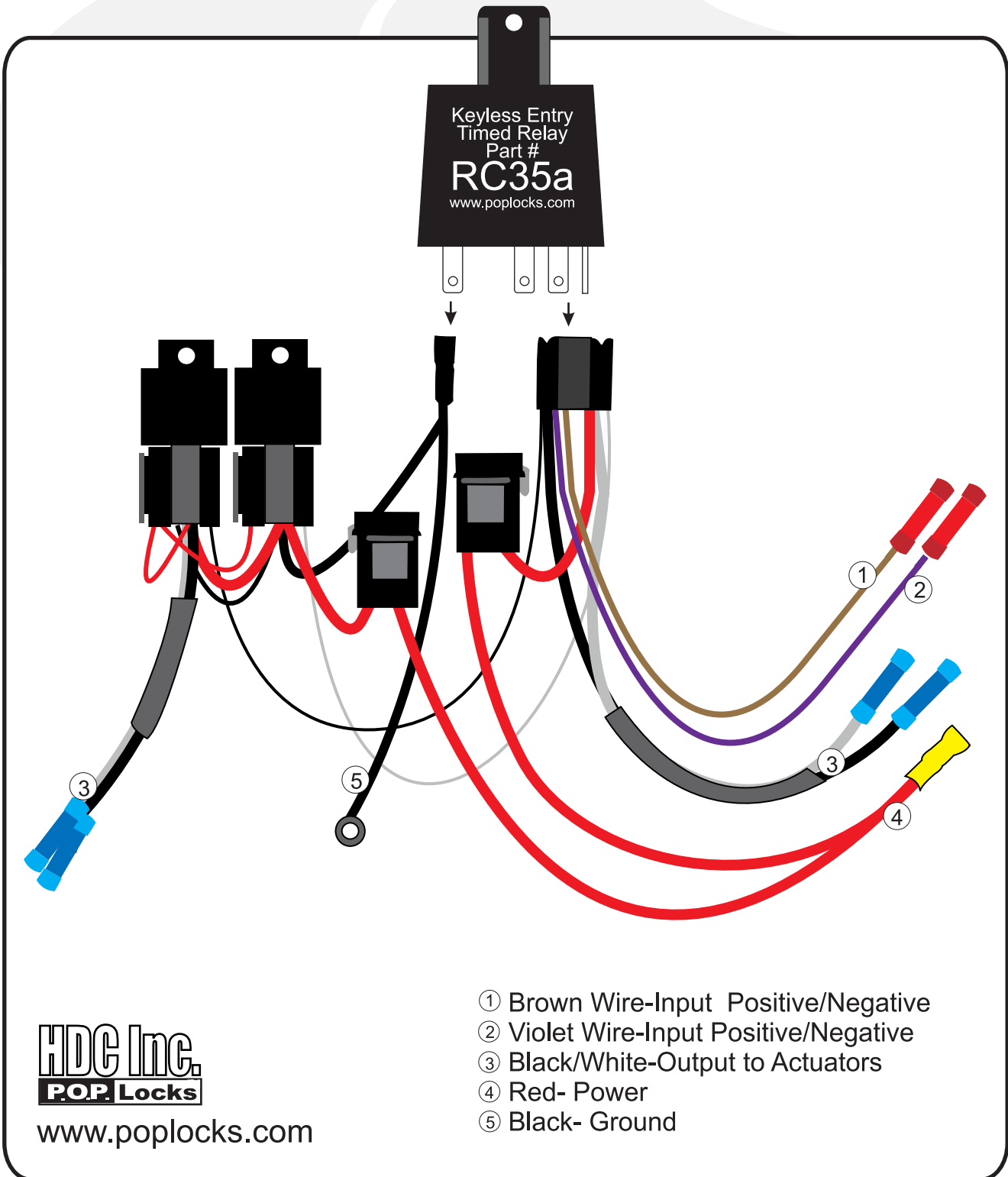
The signals input can be changed from default negative to positive. The outer shell must be removed. Do this with the RC35a unplugged as shown below by removing the 2 prong jumper switch shown as FIG A. in RED.

Caution: Care Should be Taken As To Not Damage Inter Components.



Function	Pin#	Optional Harness
Lock Input	#3	Brown
Unlock Input	#2	Violet
Act Output	#1M	Blue
Act Output	#2M	Red
12vdc 20 amp	+	Red
Ground	-	Ground





HDC Inc.
POP Locks

www.poplocks.com

