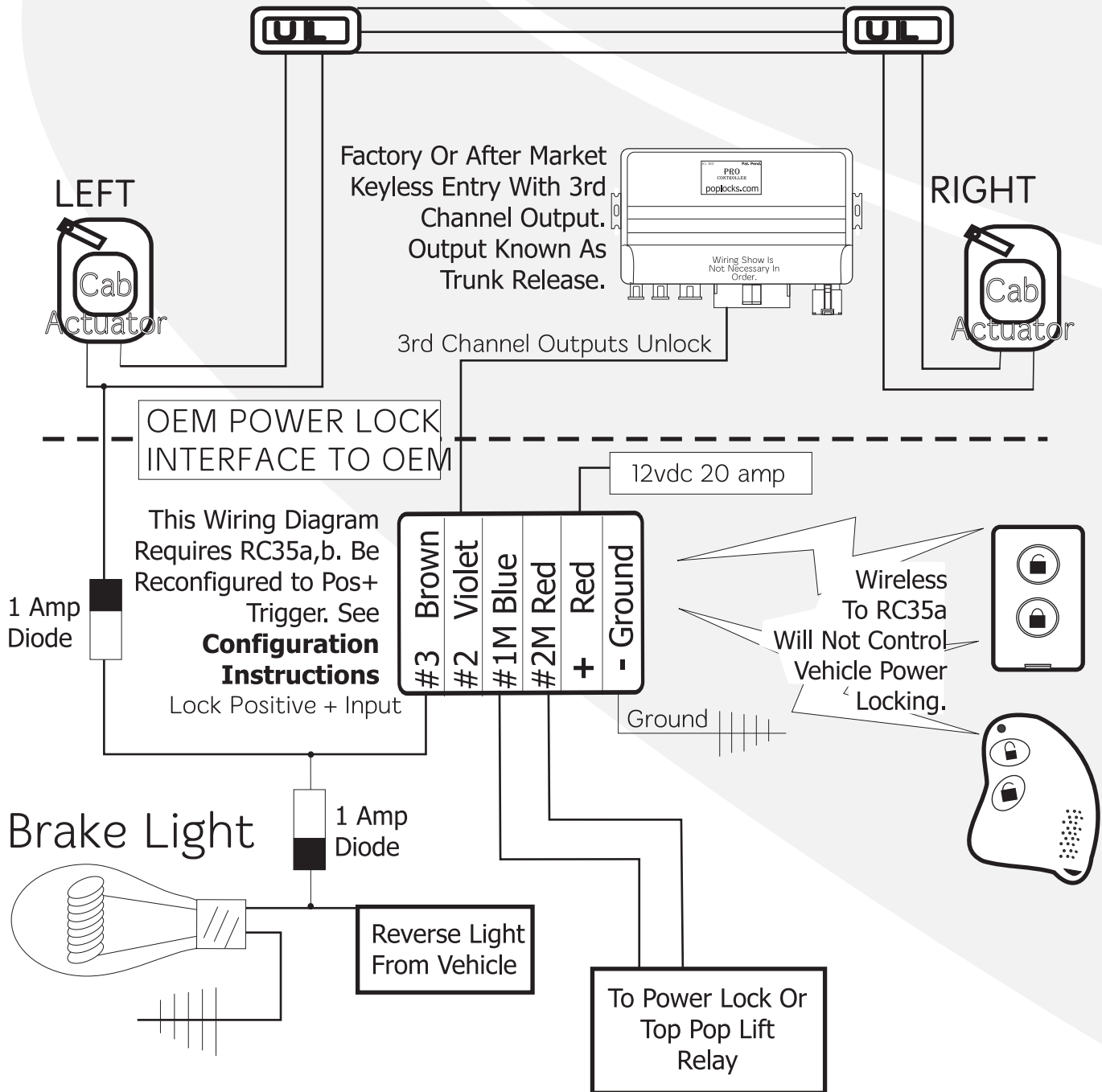
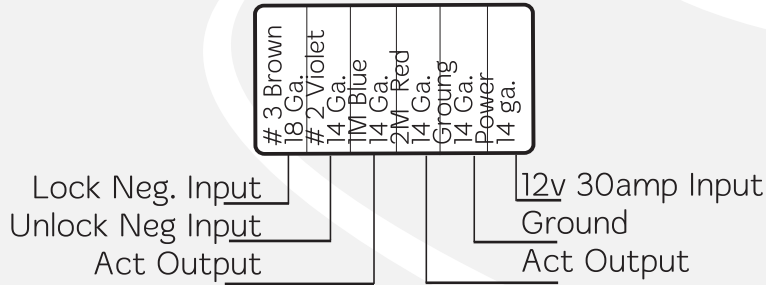


Vehicle Keyless Entry Interface.

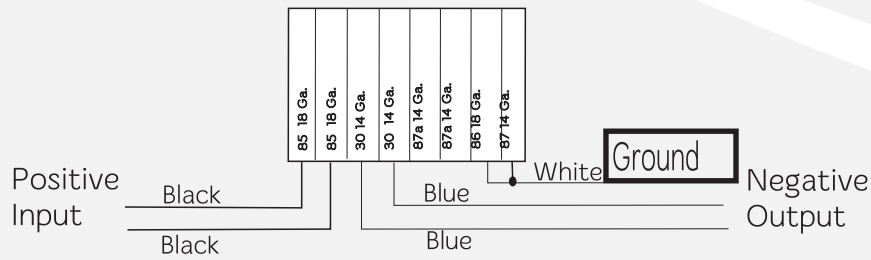
Reverse Light, Door Lock using 3rd Channel Output Or Wireless Triggers.



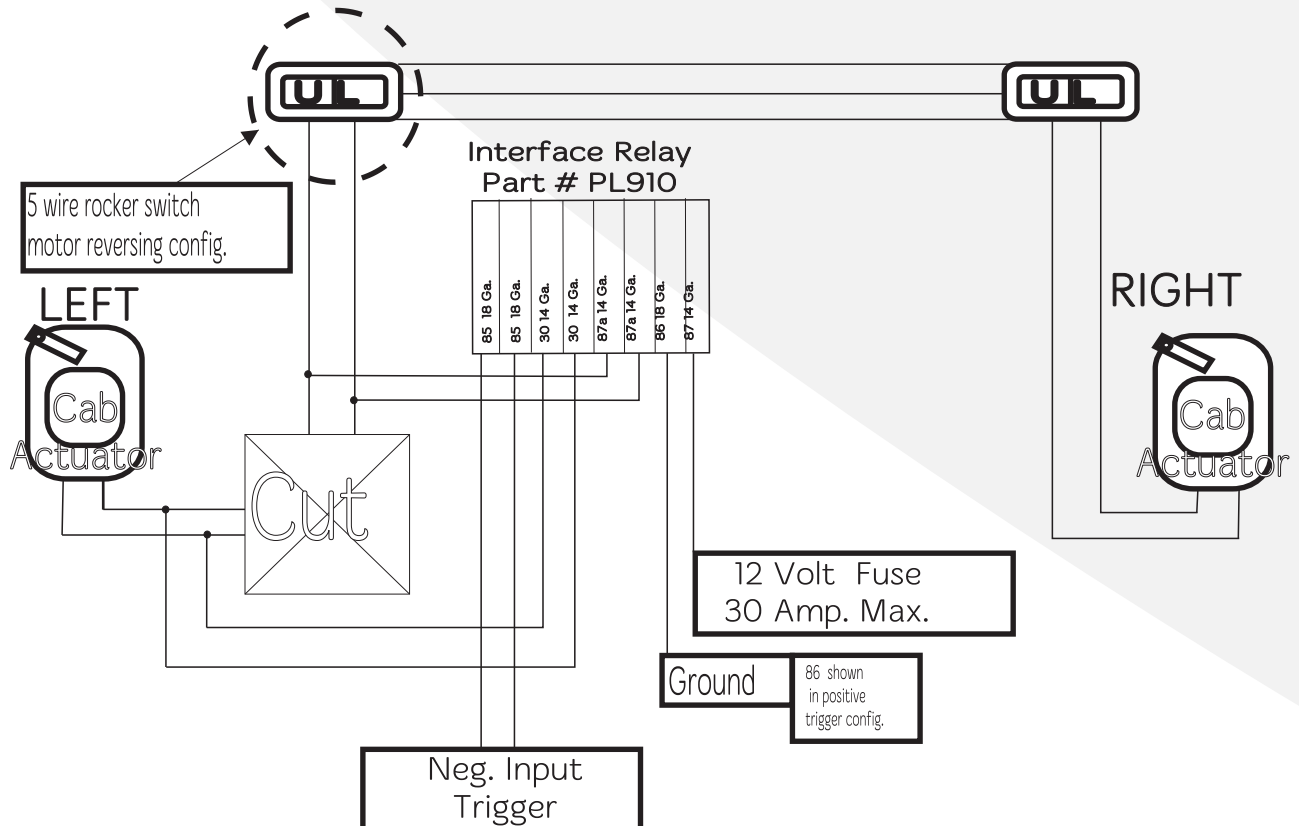
Part # TR910, RC-35 (Keyless Entry & Timed Relay)

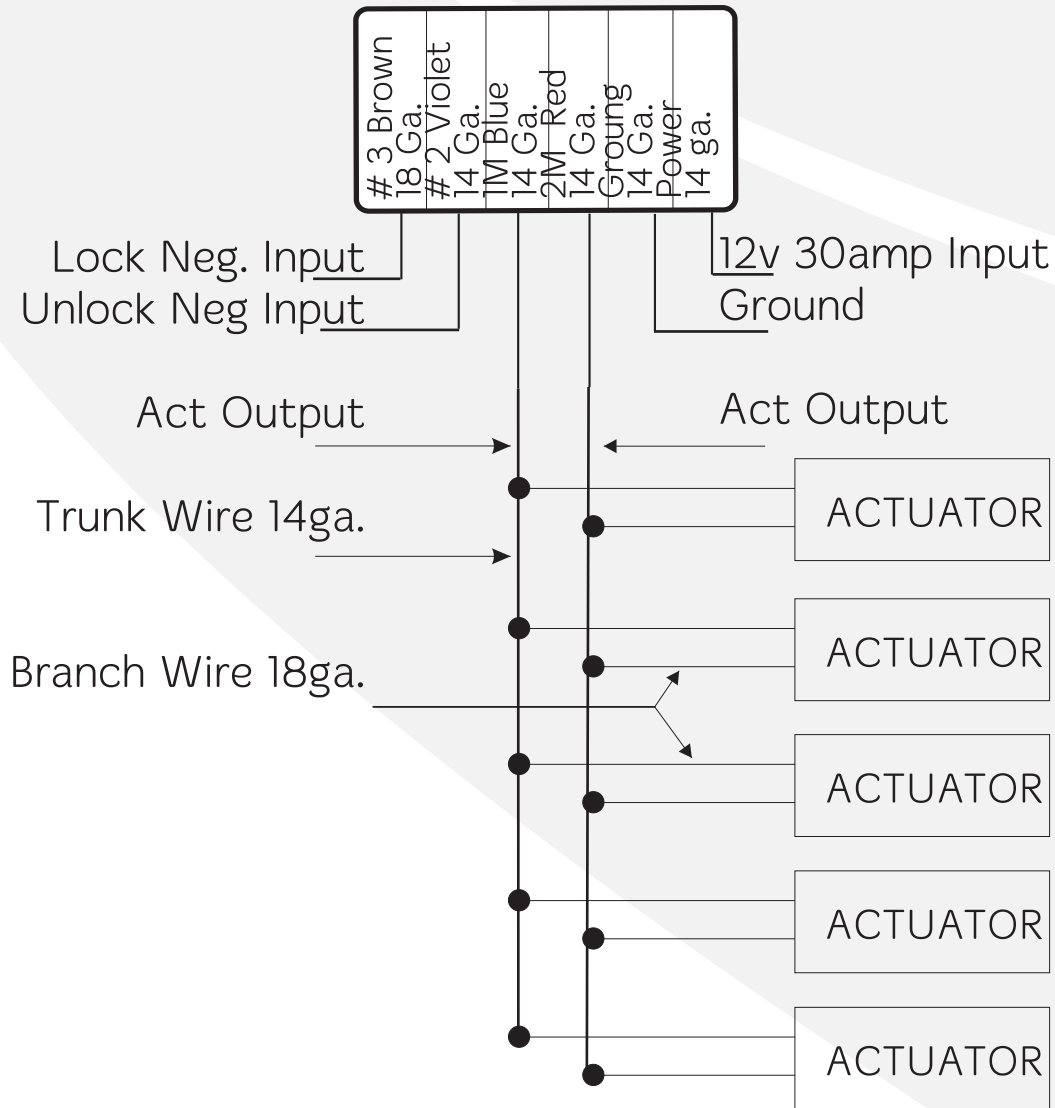


Neg. to Pos. Converter part # PL910



5 WIRE SWITCH INTERFACE SCHEMATIC





PN. HD4D- 4 Door Power Door Locking Kit Shown With Rc35a Keyless Entry Relay

