

MicroNova[®] Dot Clearance / Marker LED Lamps

Product Information Sheet

CLEARANCE / MARKER LAMPS

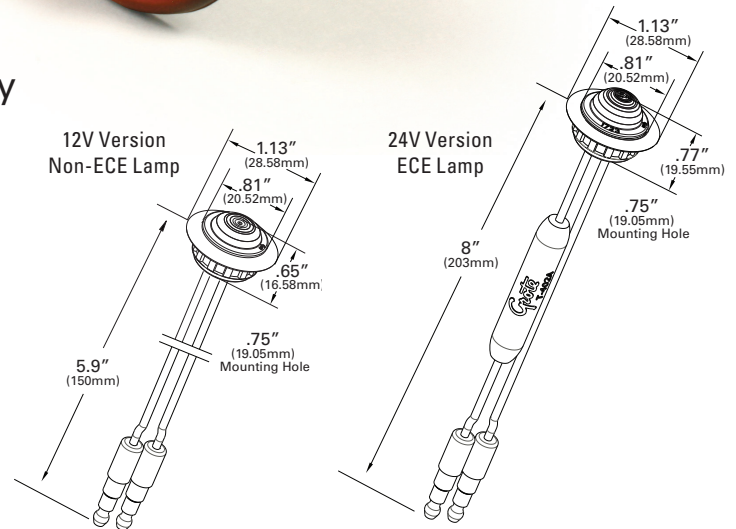


PRODUCT SPECIFICATIONS

MATERIAL: ACRYLIC
FINISH: RED / YELLOW / CLEAR / BLACK
FMVSS: P2, PC, ECE
VOLTAGE AMP: 12V / .05A; 24V / .05

Small size provides more flexibility

- Outperforms all legal requirements
- Available in PC and P2 versions
- Sleek aerodynamic styling protrudes less than 3/8" from mounting surface
- No fasteners required
- Available in 12V and 24V versions
- Standard .180 male bullet termination



Part Number	Light Source	Operating Voltage	Amperage	Interchange
49322 - Red P2 w/ Grommet	LED	12V	.05A	33050R
49332 - Red PC w/ Grommet	LED	12V	.05A	33075R
49323 - Yellow P2 w/ Grommet	LED	12V	.05A	33075Y
49333 - Yellow PC w/ Grommet	LED	12V	.05A	33075Y
49342 - Red ECE w/ Grommet	LED	12V	.05A	NA
49343 - Yellow ECE w/ Grommet	LED	12V	.05A	NA
49341 - White ECE w/ Grommet	LED	12V	.05A	NA
49352 - Red ECE w/ Grommet	LED	24V	.05A	NA
49353 - Yellow ECE w/ Grommet	LED	24V	.05A	NA
49351 - White ECE w/ Grommet	LED	24V	.05A	NA

2600 Lanier Drive, Madison, Indiana U.S.A. 47250-0550

U.S. 800.628.0809 Canada 800.268.5612

Europe +49 9962/20008-0 Mexico 011 (52) 81-8262-4400

grote.com

Grote

The first name in vehicle safety systems[®]