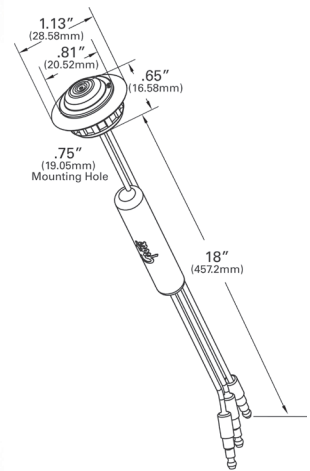
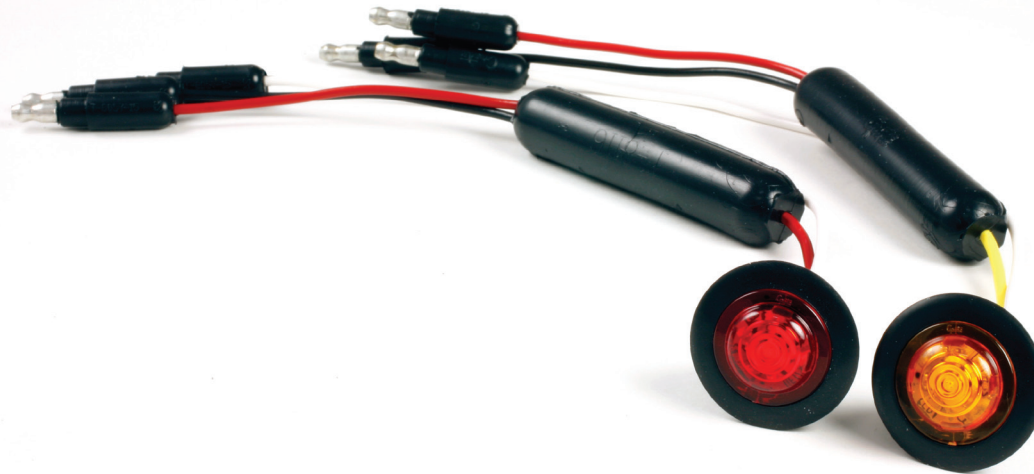


MicroNova® DOT Dual Intensity Solution

Product Information Sheet

CLEARANCE MARKER



Dual Intensity design provides better visibility

FEATURES AND BENEFITS

- Provide better visibility and improve on-road safety
- Rear ID lamps can also function as auxiliary high mount stop lights
- Rear clearance and/or front side markers can also function as auxiliary turn lights. Add both for ultimate safety enhancement
- Solution for retrofit or on new builds
- Standard .180 bullet termination available

PRODUCT SPECIFICATIONS

DUAL INTENSITY LAMP

MATERIAL: ACRYLIC

FINISH: RED / BLACK; YELLOW / BLACK

FMVSS: P2

VOLTAGE AMP: 12V /.05A

ACCESSORIES: BRACKET: 42110, 42112, 42120, 94350, 43780 + 94350, 43850 + 94350, 42302, 42312, 42282, 42292

Part Number	Termination	Light Source	System Voltage	Amperage
49362 - Red w/ Grommet	Standard .180	LED	12V	.05A
49363 - Yellow w/ Grommet	Standard .180	LED	12V	.05A

grote.com

2600 Lanier Drive, Madison, Indiana U.S.A. 47250-0550

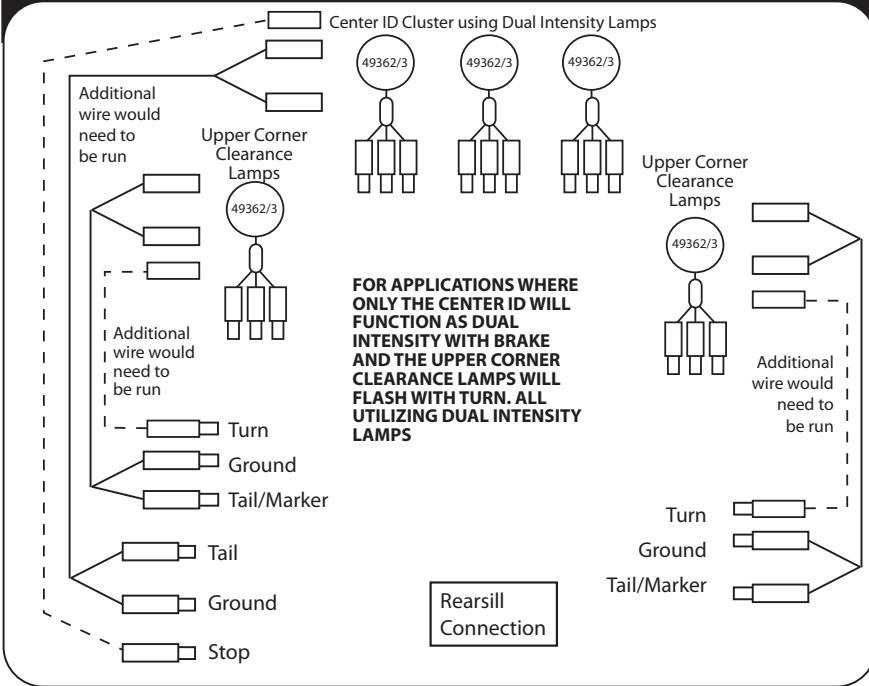
U.S. 800.628.0809 Canada 800.268.5612

Grote

The first name in vehicle safety systems®

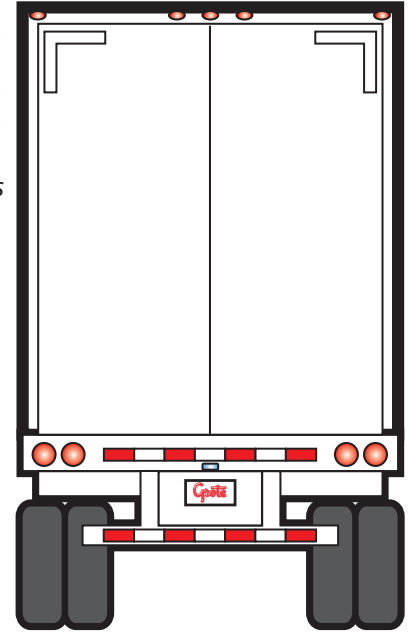
MICRONOVA® DOT DUAL INTENSITY SOLUTIONS

Center ID Aux Stop with Aux Turn - No Adaptor



Rear of Trailer

With or without Upper Corner Clearance Lamps



* Designed for MicroNova® DOT applications only

grote.com

2600 Lanier Drive, Madison, Indiana U.S.A. 47250-0550

U.S. 800.628.0809 Canada 800.268.5612

Grote

The first name in vehicle safety systems®