

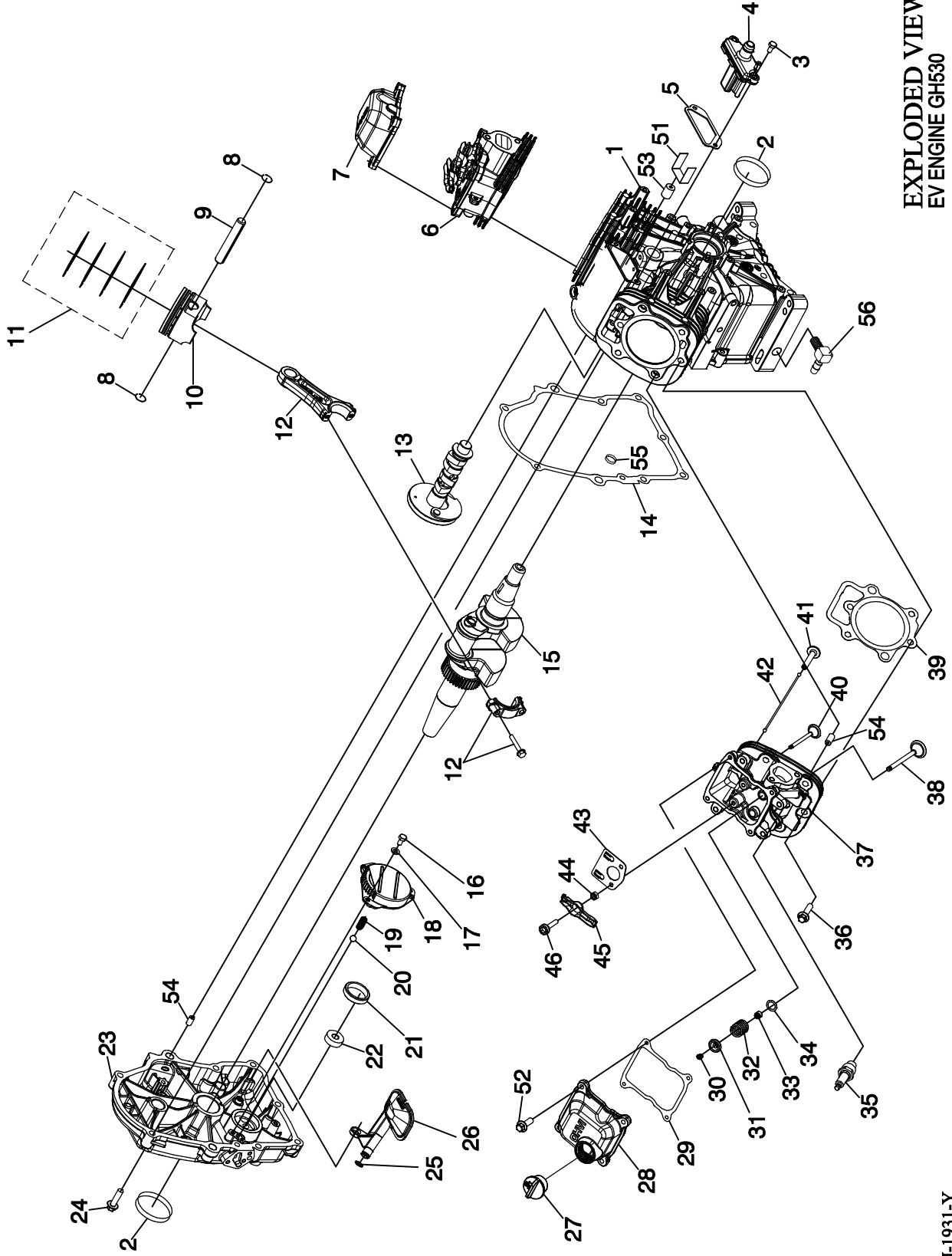
47 2,5,14,25,29,39,55,60,61,68,85

48 4,5

49 6,29,30,31,32,33,34,38,39,40,42,43,44,45,46

50 29,30,31,32,33,34,37,38,39,40,42,43,44,45,46

# GROUP



EXPLODED VIEW:  
EV ENGINE GH530  
DRAWING #: 0F9429

## EXPLODED VIEW: EV ENGINE GH530

DRAWING #: 0F9429

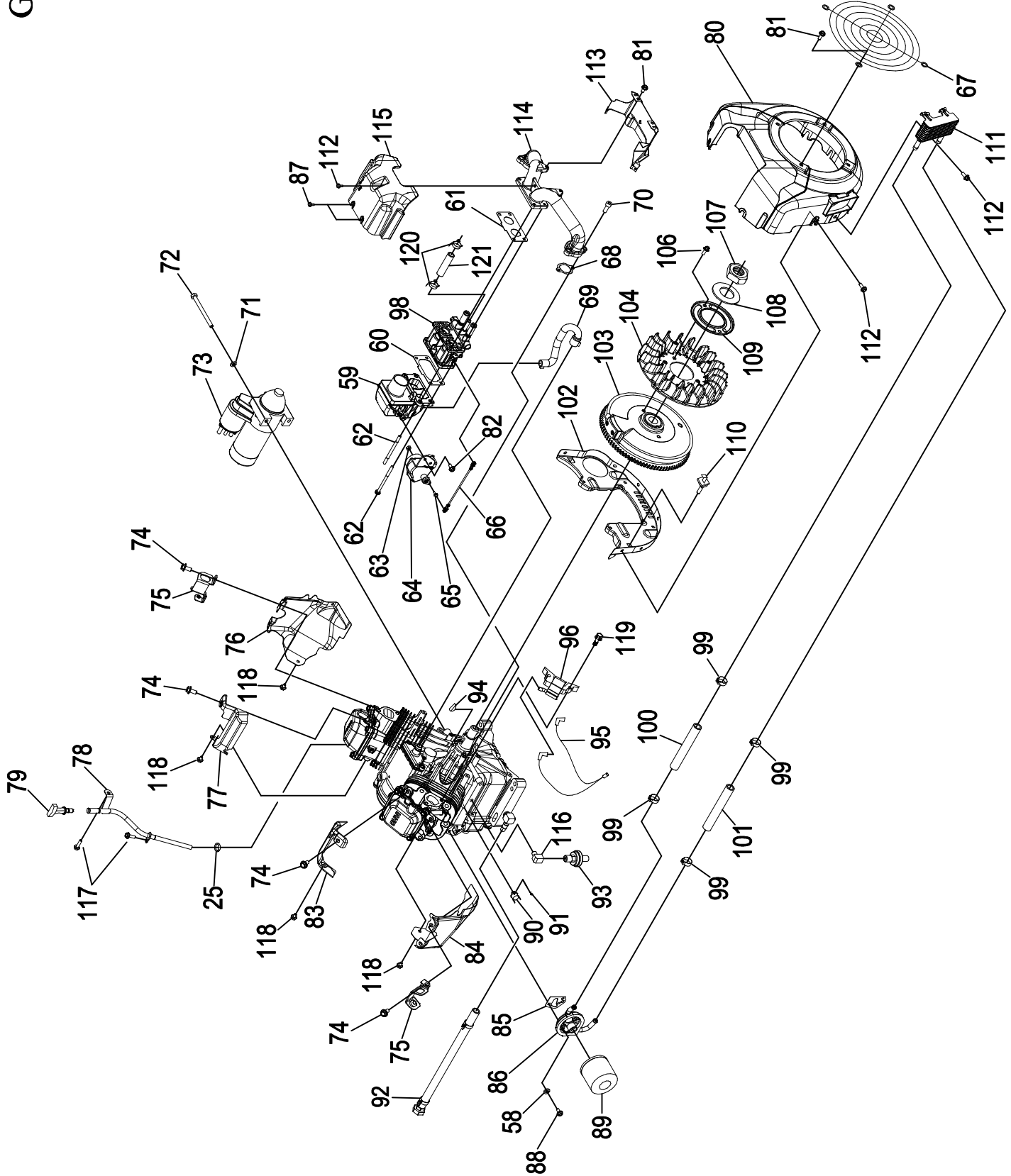
GROUP

APPLICABLE TO: HSB 2009

ITEM	PART #	QTY.	DESCRIPTION
1	0E9428B	1	CRANKCASE
2	0E3812	2	SEAL D 35 X 48.2
3	0J9667	2	SCREW HHFC M6 - 1.0 X 20 W/PATCH
4	0E9367A	1	ASSY, BREATHER
5	0E9366	1	GASKET BREATHER ASSY
6	0E9304	1	CYLINDER HEAD 1
7	0E9334C	1	COVER, ROCKER PLAIN
8	076390	4	PISTON PIN RETAINER RING
9	076389	2	PISTON PIN
10	088057	2	PISTON
11	088411	2	PISTON RING SET
12	0E9322A	2	ASSY CONNECTING ROD
13	0E9407A	1	ASSY, CAM & GEAR
14	0E9350	1	GASKET CRANKCASE
15	0E9318E	1	ASSY CRANKSHAFT W/PLUG
16	043116	3	SCREW HHC M6 - 1.0 X 12
17	093873	3	WASHER LOCK M6 RIBBED
18	0G0272	1	ASSY GEROTOR
19	0E9482	1	SPRING OIL PRESSURE RELIEF
20	0A5776	1	BALL 11/32 DIA PRESSURE RELIEF
21	0C5315A	1	GEROTOR OUTER 9MM THICK
22	0C5314A	1	GEROTOR INNER 9MM THICK
23	0E9473	1	GEAR COVER
24	073144	9	SCREW HHFC M8 - 1.25 X 45
25	0C3027	2	O-RING 3/8 X 1/2
26	0E9358	1	SCREEN OIL PICK-UP
27	093064	1	ASSY, OIL FILL CAP
28	0E9334A	1	COVER, ROCKER, W/ FILL
29	0E9352	2	GASKET, VALVE COVER

ITEM	PART #	QTY.	DESCRIPTION
30	0C3592	8	KEEPER, VALVE SPRING
31	0C3733	4	VALVE RETAINER
32	0C4390	4	SPRING VALVE
33	088156	2	SEAL, VALVE STEM
34	084186	4	WASHER, VALVE SPRING
35	0E9368	2	SPARKPLUG
36	077168	12	SCREW HHC M8 - 1.25 X 56
37	0E9305	1	CYLINDER HEAD 2
38	0C3590	2	VALVE EXHAUST
39	0E9351	2	GASKET CYLINDER HEAD
40	0C3591	2	VALVE INTAKE
41	083235	4	TAPPET, SOLID
42	0E9455E	4	PUSHROD, ALUMINUM
43	0E9353A	2	PLATE, PUSH ROD GUIDE
44	076307	4	NUT JAM (ROCKER ARM)
45	077160	4	ROCKER ARM
46	077161	4	STUD ROCKER ARM PIVOT
47	0G0273	1	GASKET KIT
48	0G0274	1	BREATHER KIT
49	0G0275	1	KIT HEAD ASSY CYLINDER #1
50	0G0276	1	KIT HEAD ASSEMBLY CYLINDER #2
51	0E9502	1	SEPERATOR, OIL, GT530
52	080318	8	SCREW HHFC M6 - 1.0 X 25
53	0E3372C	1	SEPARATOR, OIL BREATHER GT530
54	078699B	6	SLEEVE DOWEL PIN 12 DIA.
55	0C5943	1	SEAL, OIL PASSAGE
56	043790	1	BARBED EL 90 3/8 NPT X 3/8

GROUP



EXPLODED VIEW:  
EV ENGINE GH530  
DRAWING #: 0F9429

## EXPLODED VIEW: EV ENGINE GH530

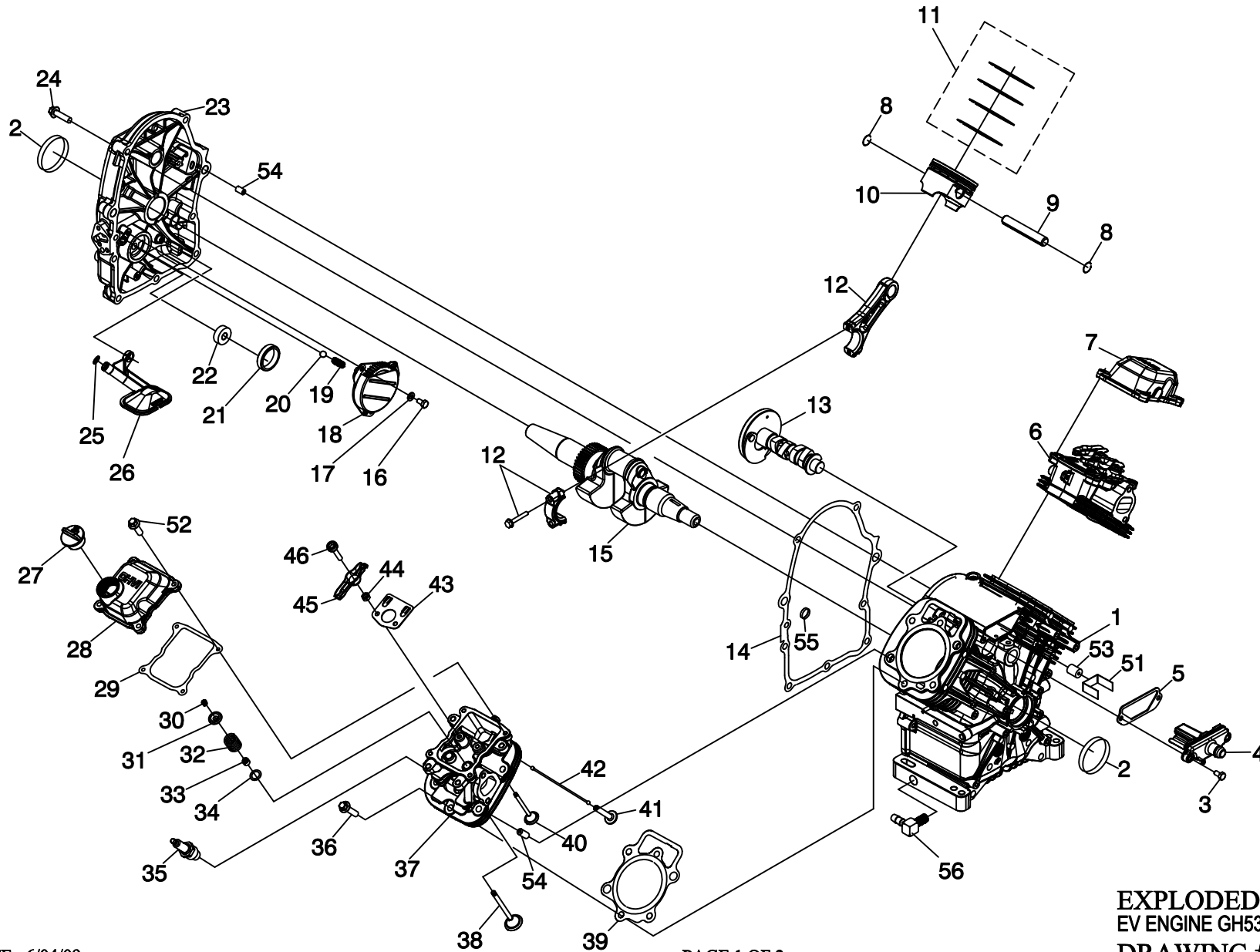
DRAWING #: 0F9429

GROUP

APPLICABLE TO: HSB 2009

ITEM	PART #	QTY.	DESCRIPTION	ITEM	PART #	QTY.	DESCRIPTION
58	022097	3	WASHER LOCK M6-1/4	91	0F2094	2	SCREW PPHM M3-0.5 X 6 SEMS
59	0E9561	1	INTAKE ADAPTER	92	0G4403	1	ASSY OIL DRAIN HOSE
60	0E9472	1	GASKET, AIRBOX TO CARB/MIXER	93	0D9235	1	OIL PRESSURE SWITCH HOBBS 5PSI
61	0E9471	1	GASKET, MANIFOLD TO CARB/MIXER	94	082774	1	KEY, WOODRUFF 4 X 19D
62	078643B	4	BOLT, CARB MOUNT M6 - 1.0 X 85	95	0F1177	1	ASSY, GROUNDING WIRE
63	0D9784	1	NUT HEX LOCK M3 - 0.5	96	0G3251A	1	ASSY IGNITION COIL CYLINDER 1
64	0G6452	1	ASSY, CONTROLLER		0G3251B	1	ASSY IGNITION COIL CYLINDER 2
65	0D6342	1	BALL STUD, 10 MM	97			
66	0E9587	1	ASSY, THROTTLE ROD	98	0E9443	1	ASSY, MIXER DUAL FUEL
67	0C9997	1	GUARD, FAN	99	0G3662B	4	CLAMP, HOSE OETIKER STEPLESS 18.5mm
68	0E9319	2	GASKET INTAKE	100	0G0286	1	HOSE 3/8" ID X 6" SAE J30R9
69	0E9597	1	BREATHER HOSE	101	0G0479	1	HOSE 3/8" ID X 7.25 SAE J30R9
70	040976	4	SCREW SHC M8 - 1.25 X 20 G12.9	102	0G4985	1	BACKING PLATE, GT-530 ZINC
71	022129	2	WASHER LOCK M8 - 5/16	103	0E9525C	1	ASSY, FLYWHEEL & RING GEAR
72	061906	2	SCREW HHC M8 - 1.25 X 85	104	0E9486	1	FAN, FLYWHEEL, 20 FIN, 218.8 OD
73	0E9323	1	STARTER MOTOR	106	0H6213	2	SCREW HHFC M8 - 1.25 X 10 C8.8
74	0E9507	6	SCREW HHFC M8 - 1.25 X 14	107	067890	1	NUT HEX M20 - 1.5
75	0E9362	2	LIFTING HOOK	108	067198N	1	WASHER BELV - 20 X 2.2
76	0G7608	1	WRAPPER OUTER CYLINDER 1 CLEAR ZINC	109	0C3032	1	PLATE, FAN
77	0G7610	1	WRAPPER INNER CYLINDER 1 CLEAR ZINC	110	0E4997	1	ASSY, GROUND WIRE CONNECTOR
78	0G3378	1	TUBE, DIPSTICK GTH 530	111	0E9406	1	OIL COOLER
79	0F2664H	1	ASSY, DIPSTICK /TEXT	112	0G1705	13	SCREW HHFC M6 - 1.0 X 14
80	0E9336F	1	BLOWER HOUSING	113	0E9450	1	CENTER BAFFLE
81	0D6147	6	SCREW HHFC M6-1.0 X 10 G8.8	114	0E9376	1	INTAKE MANIFOLD
82	0E5139	3	SCREW HHFC M6-1.0 X 8 G8.8	115	0E9550	1	FRONT COVER
83	0G7611	1	WRAPPER INNER CYLINDER 2 CLEAR ZINC	116	028916	1	ELBOW - 1/8" NPT
84	0G7609	1	WRAPPER OUTER CYLINDER 2 CLEAR ZINC	117	0C8563	2	SCREW, HHFC M6-1.0 x 12
85	0E9370	1	GASKET, OIL FILTER ADAPTER	118	0G0919	4	SCREW, HHFC M6-1 x 12 CLEAR ZINC
86	0E9505A	1	ASSY, DIRECT OIL COOLER ADAPTER	119	0G6432	4	SCREW, HHC M6-1 x 25 SEMS
87	0F5458	2	SCREW PLASTITE HI-LOW #10X3/8	120	0C7649	1	CLAMP HOSE .38-.87
88	045757	3	SCREW HHC M6 - 1.0 X 25	121	074995D	1.00	HOSE 1/4 ID LPG 350 PSI UL21
89	070185E	1	OIL FILTER				
90	094090	1	THERMAL SWITCH				

47	2,5,14,25,29,39,55,60,61,68,85
48	4,5
49	6,29,30,31,32,33,34,38,39,40,42,43,44,45,46
50	29,30,31,32,33,34,37,38,39,40,42,43,44,45,46



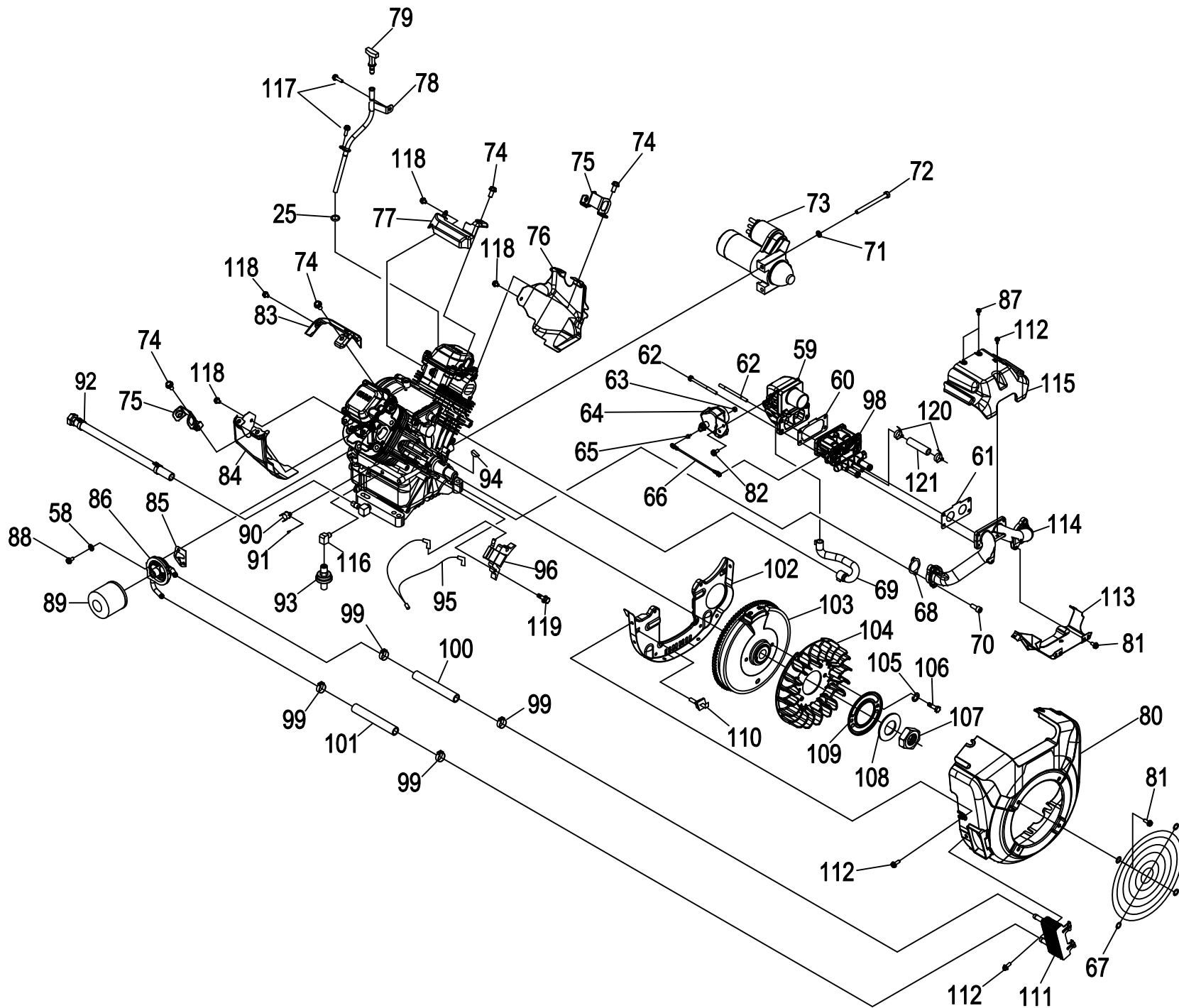
**EXPLODED VIEW: EV ENGINE GH530**  
**DRAWING #: 0F9429**

APPLICABLE TO: HSB 2009

**GROUP**

ITEM	PART #	QTY.	DESCRIPTION
1	0E9428B	1	CRANKCASE
2	0E3812	2	SEAL D 35 X 48.2
3	0C8566	2	SCREW HHFC M6 - 1.0 X 20
4	0E9367A	1	ASSY, BREATHER
5	0E9366	1	GASKET BREATHER ASSY
6	0E9304	1	CYLINDER HEAD 1
7	0E9334C	1	COVER, ROCKER PLAIN
8	076390	4	PISTON PIN RETAINER RING
9	076389	2	PISTON PIN
10	088057	2	PISTON
11	088411	2	PISTON RING SET
12	0E9322A	2	ASSY CONNECTING ROD
13	0E9407A	1	ASSY, CAM & GEAR
14	0E9350	1	GASKET CRANKCASE
15	0E9318E	1	ASSY CRANKSHAFT W/PLUG
16	043116	3	SCREW HHC M6 - 1.0 X 12
17	093873	3	WASHER LOCK M6 RIBBED
18	0G0272	1	ASSY GEROTOR
19	0E9482	1	SPRING OIL PRESSURE RELIEF
20	0A5776	1	BALL 11/32 DIA PRESSURE RELIEF
21	0C5315A	1	GEROTOR OUTER 9MM THICK
22	0C5314A	1	GEROTOR INNER 9MM THICK
23	0E9473	1	GEAR COVER
24	073144	9	SCREW HHFC M8 - 1.25 X 45
25	0C3027	2	O-RING 3/8 X 1/2
26	0E9358	1	SCREEN OIL PICK-UP
27	093064	1	ASSY, OIL FILL CAP
28	0E9334A	1	COVER, ROCKER, W/ FILL
29	0E9352	2	GASKET, VALVE COVER

ITEM	PART #	QTY.	DESCRIPTION
30	0C3592	8	KEEPER, VALVE SPRING
31	0C3733	4	VALVE RETAINER
32	0C4390	4	SPRING VALVE
33	088156	2	SEAL, VALVE STEM
34	084186	4	WASHER, VALVE SPRING
35	0E9368	2	SPARKPLUG
36	077168	12	SCREW HHC M8 - 1.25 X 56
37	0E9305	1	CYLINDER HEAD 2
38	0C3590	2	VALVE EXHAUST
39	0E9351	2	GASKET CYLINDER HEAD
40	0C3591	2	VALVE INTAKE
41	083235	4	TAPPET, SOLID
42	0E9455E	4	PUSHROD, ALUMINUM
43	0E9353A	2	PLATE, PUSH ROD GUIDE
44	076307	4	NUT JAM (ROCKER ARM)
45	077160	4	ROCKER ARM
46	077161	4	STUD ROCKER ARM PIVOT
47	0G0273	1	GASKET KIT
48	0G0274	1	BREATHER KIT
49	0G0275	1	KIT HEAD ASSY CYLINDER #1
50	0G0276	1	KIT HEAD ASSEMBLY CYLINDER #2
51	0E9502	1	SEPERATOR, OIL, GT530
52	080318	8	SCREW HHFC M6 - 1.0 X 25
53	0E3372C	1	SEPARATOR, OIL BREATHER GT530
54	078699B	6	SLEEVE DOWEL PIN 12 DIA.
55	0C5943	1	SEAL, OIL PASSAGE
56	043790	1	BARBED EL 90 3/8 NPT X 3/8



**EXPLODED VIEW: EV ENGINE GH530  
DRAWING #: 0F9429**

**GROUP**

**APPLICABLE TO: HSB 2009**

ITEM	PART #	QTY.	DESCRIPTION	ITEM	PART #	QTY.	DESCRIPTION
58	022097	3	WASHER LOCK M6-1/4	91	0F2094	2	SCREW PPHM M3-0.5 X 6 SEMS
59	0E9561	1	INTAKE ADAPTER	92	0G4403	1	ASSY OIL DRAIN HOSE
60	0E9472	1	GASKET, AIRBOX TO CARB/MIXER	93	0D9235	1	OIL PRESSURE SWITCH HOBBS 5PSI
61	0E9471	1	GASKET, MANIFOLD TO CARB/MIXER	94	082774	1	KEY, WOODRUFF 4 X 19D
62	078643B	4	BOLT, CARB MOUNT M6 - 1.0 X 85	95	0F1177	1	ASSY, GROUNDING WIRE
63	0D9784	1	NUT HEX LOCK M3 - 0.5	96	0G3251A	1	ASSY IGNITION COIL CYLINDER 1
64	0G6452	1	ASSY, CONTROLLER		0G3251B	1	ASSY IGNITION COIL CYLINDER 2
65	0D6342	1	BALL STUD, 10 MM	97			
66	0E9587	1	ASSY, THROTTLE ROD	98	0E9443	1	ASSY, MIXER DUAL FUEL
67	0C9997	1	GUARD, FAN	99	0G3662B	4	CLAMP, HOSE OETIKER STEPLESS 18.5mm
68	0E9319	2	GASKET INTAKE	100	0G0286	1	HOSE 3/8"ID X 6" SAE J30R9
69	0E9597	1	BREATHER HOSE	101	0G0479	1	HOSE 3/8"ID X 7.25 SAE J30R9
70	040976	4	SCREW SHC M8 - 1.25 X 20 G12.9	102	0G4985	1	BACKING PLATE, GT-530 ZINC
71	022129	2	WASHER LOCK M8 - 5/16	103	0E9525C	1	ASSY, FLYWHEEL & RING GEAR
72	061906	2	SCREW HHC M8 - 1.25 X 85	104	0E9486	1	FAN, FLYWHEEL, 20 FIN, 218.8 OD
73	0E9323	1	STARTER MOTOR	105	0A5992	2	WASHER LOCK INT M8
74	0E9507	6	SCREW HHFC M8 - 1.25 X 14	106	048571	2	SCREW HHC M8 - 1.25 X 10
75	0E9362	2	LIFTING HOOK	107	067890	1	NUT HEX M20 - 1.5
76	0G7608	1	WRAPPER OUTER CYLINDER 1 CLEAR ZINC	108	067198N	1	WASHER BELV - 20 X2.2
77	0G7610	1	WRAPPER INNER CYLINDER 1 CLEAR ZINC	109	0C3032	1	PLATE, FAN
78	0G3378	1	TUBE, DIPSTICK GTH 530	110	0E4997	1	ASSY, GROUND WIRE CONNECTOR
79	0F2664H	1	ASSY, DIPSTICK /TEXT	111	0E9406	1	OIL COOLER
80	0E9336F	1	BLOWER HOUSING	112	0G1705	13	SCREW HHFC M6 - 1.0 X 14
81	0D6147	6	SCREW HHFC M6-1.0 X 10 G8.8	113	0E9450	1	CENTER BAFFLE
82	0E5139	3	SCREW HHFC M6-1.0 X 8 G8.8	114	0E9376	1	INTAKE MANIFOLD
83	0G7611	1	WRAPPER INNER CYLINDER 2 CLEAR ZINC	115	0E9550	1	FRONT COVER
84	0G7609	1	WRAPPER OUTER CYLINDER 2 CLEAR ZINC	116	028916	1	ELBOW - 1/8" NPT
85	0E9370	1	GASKET, OIL FILTER ADAPTER	117	0C8563	2	SCREW, HHFC M6-1.0 x 12
86	0E9505A	1	ASSY, DIRECT OIL COOLER ADAPTER	118	0G0919	4	SCREW, HHFC M6-1 x 12 CLEAR ZINC
87	0F5458	2	SCREW PLASTITE HI-LOW #10X3/8	119	0G6432	4	SCREW, HHC M6-1 x 25 SEMS
88	045757	3	SCREW HHC M6 - 1.0 X 25	120	0C7649	1	CLAMP HOSE .38-.87
89	070185E	1	OIL FILTER	121	074995D	1.00	HOSE 1/4 ID LPG 350 PSI UL21
90	094090	1	THERMAL SWITCH				