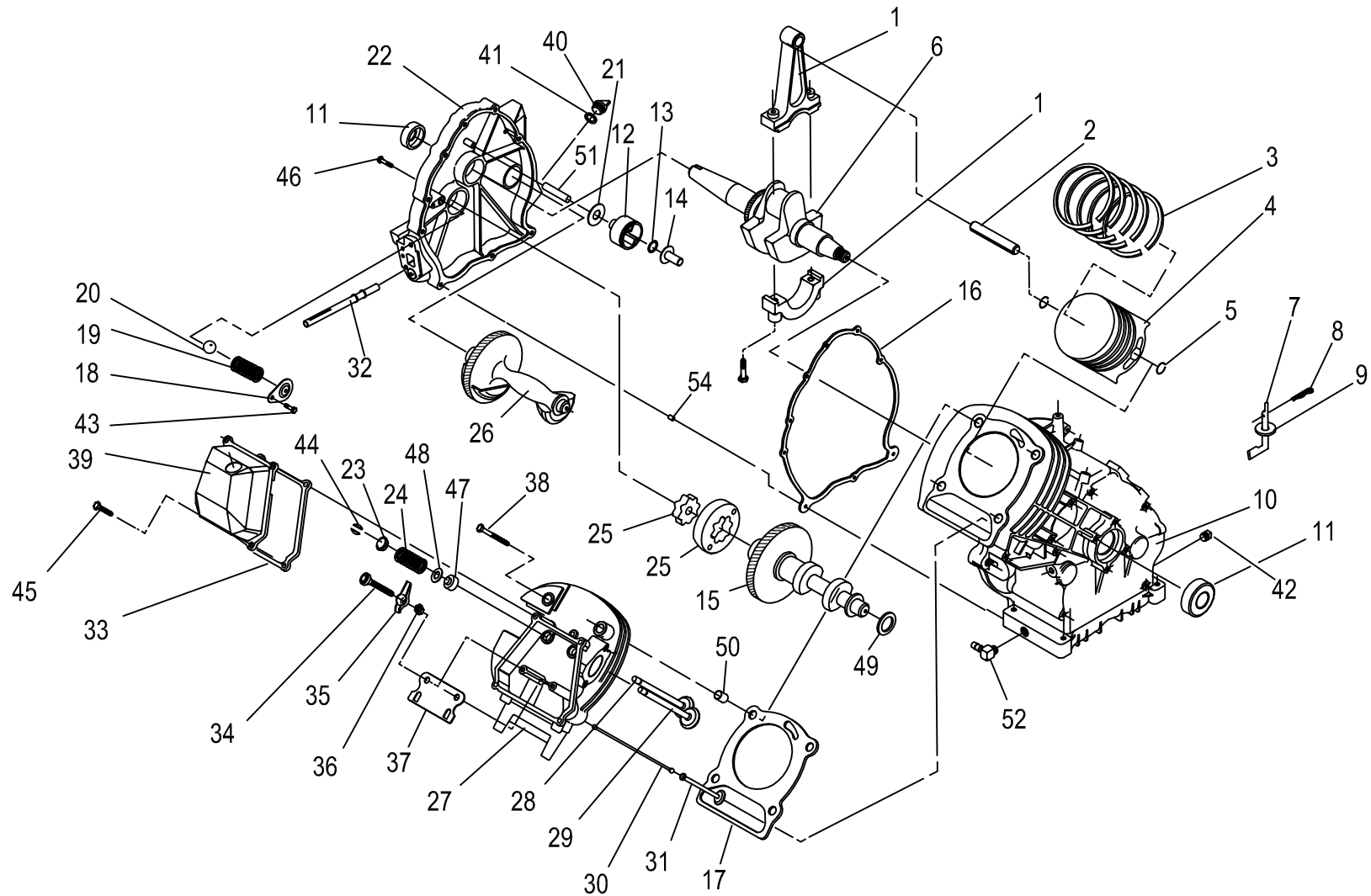
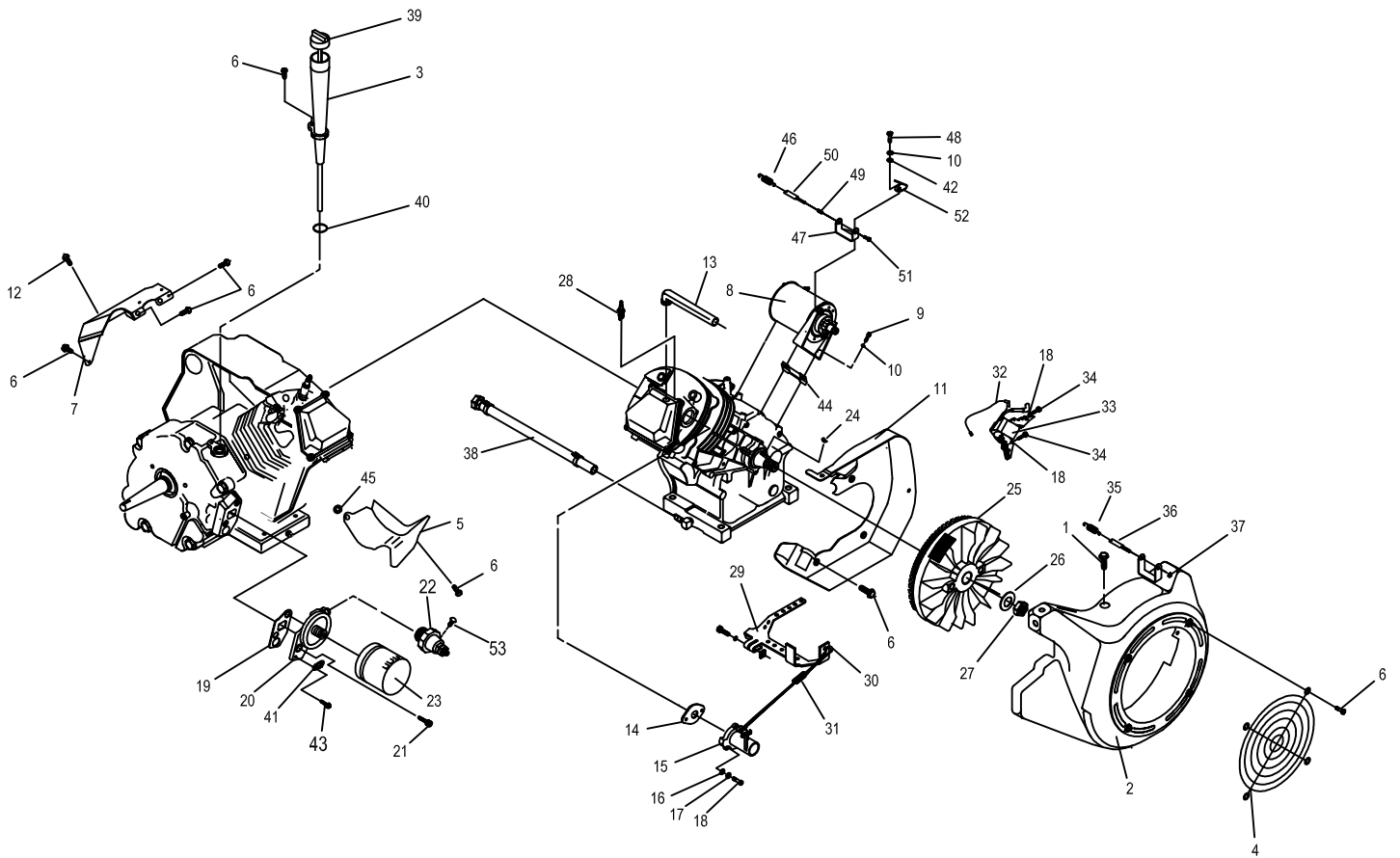


GROUP



| ITEM | PART # | QTY. | DESCRIPTION |
|------|---------|------|---|
| 1 | 0E3221 | 1 | ASSEMBLY, CONNECTING ROD |
| 2 | 0E1466 | 1 | PIN, PISTON D20 |
| 3 | 021533 | 1 | SET, PISTON RING 90MM |
| 4 | 0E2985 | 1 | PISTON, HC |
| 5 | 071983 | 2 | RETAINER, PISTON PIN 20 |
| 6 | 0E8440 | 1 | ASSEMBLY, CRANKSHAFT GH410 SMALL TAPER |
| 7 | 0A7628 | 1 | ARM, GOVERNOR RC45 |
| 8 | 078658 | 1 | PIN, "R" GOVERNOR ARM |
| 9 | 078659 | 2 | WASHER, GOVERNOR ARM THRUST |
| 10 | 088261E | 1 | CRANKCASE, SUBASSEMBLY WITH PLUGS GH410 |
| 11 | 0E3812 | 2 | SEAL, 35 I.D. CRANKSHAFT |
| 12 | 0E6519 | 1 | ASSEMBLY, GOVERNOR GEAR |
| 13 | 078645 | 1 | C-RING, GOVERNOR GEAR RETAINER |
| 14 | 0A7811 | 1 | SPOOL, GOVERNOR- MACHINE |
| 15 | 0G3358 | 1 | ASSEMBLY, CAMSHAFT & GEAR 410HSB |
| 16 | 076701 | 1 | GASKET , CRANKCASE |
| 17 | 021713B | 1 | GASKET, HEAD 410 |
| 18 | 078691 | 1 | COVER, OIL PRESSURE RELIEF |
| 19 | 0A5771 | 1 | SPRING, OIL RELIEF 360 |
| 20 | 0A5776 | 1 | BALL, DIA 11/32 PRESSURE RELIEF |
| 21 | 076361 | 1 | WASHER, THRUST GOVERNOR GEAR |
| 22 | 0A8898D | 1 | ASSEMBLY, COVER, GEAR TOP CHECK / FILL |
| 23 | 0D2274 | 2 | RETAINER, VALVE SPRING |
| 24 | 0C4391 | 2 | VALVE SPRING LF |
| 25 | 086025 | 1 | SET,GEROTOR 12 THK |
| 26 | 0E3341 | 1 | BALANCER |
| 27 | 021714 | 1 | ASSEMBLY,CYLINDER HEAD SEATS & GUIDES |
| 28 | 086516 | 1 | VALVE, EXHAUST |
| 29 | 086517 | 1 | VALVE, INTAKE |
| 30 | 0D9853B | 2 | PUSH ROD 174.9 |
| 31 | 083897 | 2 | TAPPET |
| 32 | 077158 | 1 | ASSEMBLY, SCREEN OIL PICK-UP |
| 33 | 0C3150 | 1 | GASKET, ROCKER COVER 410 |
| 34 | 072694 | 2 | STUD, D20 PIVOT BALL |
| 35 | 083907 | 2 | ROCKER ARM |
| 36 | 0D3998 | 2 | NUT, JAM (ROCKER ARM) |
| 37 | 078694 | 1 | PLATE, PUSH ROD GUIDE |
| 38 | 021742 | 4 | SCREW, HHFL M10-1.5 X 105 |
| 39 | 0D6094 | 1 | ASSEMBLY, ROCKER COVER BREATHER |
| 40 | 076329 | 1 | PLUG, OIL FILL PLASTIC |
| 41 | 0E0057 | 1 | O-RING 17.8 I.D. x 2.4 |
| 42 | 0D4788 | 1 | PLUG, STANDARD PIPE 3/8 STEEL SQUARE HEAD |
| 43 | 074908 | 1 | SCREW, TAPTITE M5-0.8 X 10 BP |
| 44 | 086515 | 4 | KEEPER, VALVE SPRING |
| 45 | 078606 | 4 | SCREW & LOCKWASHER M6-1 X 12 |
| 46 | 0A1442 | 8 | SCREW, HHFC M8-1.25 X 42 |
| 47 | 078672 | 1 | SEAL, VALVE STEM D7 |
| 48 | 089673 | 2 | WASHER, VALVE SPRING |
| 49 | 0B2104 | 1 | WASHER, LARGE SPRING |
| 50 | 078699C | 2 | DOWEL, SEAMED SLEEVE |
| 51 | 0A7627 | 1 | SHAFT, GOVERNOR RC55 |
| 52 | 043790A | 1 | BARBED ELBOW 90 3/8NPT X 3/8 LOCKTITE |
| 53 | | | |
| 54 | 078699B | 2 | DOWEL, SLEEVE SEAMED 12 DIA. |

GROUP



EXPLODED VIEW: ENGINE PARTS

DRAWING #: 0F9428

APPLICABLE TO: 2006 HSB

GROUP

| ITEM | PART # | QTY. | DESCRIPTION |
|------|---------|------|---------------------------------------|
| 1 | 0C1069 | 5 | SCREW, TAPTITE M6-1.0X8 YELLOW CHROME |
| 2 | 0D2922 | 1 | HOUSING, BLOWER |
| 3 | 0F8426 | 1 | TUBE, DIPSTICK |
| 4 | 0C9997 | 1 | GUARD, FAN |
| 5 | 088434 | 1 | WRAPPER, BOTTOM |
| 6 | 045756 | 11 | SCREW, TAPTITE M6-1X10 YELLOW CHROME |
| 7 | 0C4176A | 1 | WRAPPER, TOP |
| 8 | 0D9004A | 1 | ASSY, STARTER |
| 9 | 059985 | 2 | SCREW, SHC M8-1.25 X 45 G12.9 |
| 10 | 022129 | 3 | WASHER, LOCK M8-5/16 |
| 11 | 0C2458A | 1 | BACKPLATE, L/F D/F |
| 12 | 083512 | 1 | SCREW, TAPTITE M8-1.25 X 16 BP |
| 13 | 0D1401A | 1 | BREATHER TUBE |
| 14 | 091039 | 1 | GASKET, INTAKE ADAPTER |
| 15 | 0C9619 | 1 | ASSEMBLY, PLASTIC CARB |
| 16 | 049811 | 2 | WASHER, FLAT M6 |
| 17 | 022097 | 4 | WASHER, LOCK M6-1/4 |
| 18 | 040945 | 2 | SCREW, SHC M6-1.0 X 20 G12.9 |
| 19 | 086999 | 1 | GASKET,OIL FILTR ADAPTER |
| 20 | 0D5667A | 1 | ADAPTER, OIL FILTER |
| 21 | 049821 | 2 | SCREW, SHC M8-1.25 X 30 G12.9 |
| 22 | 0D9235 | 1 | SWITCH, OIL 5 PSI |
| 23 | 070185B | 1 | OIL FILTER |
| 24 | 082774 | 1 | KEY, WOODRFF 4 X 19D |
| 25 | 091222E | 1 | FLYWHEEL WITH RING GEAR 32DEG. |
| 26 | 067198N | 1 | WASHER,BELV-20 X 2.2 |
| 27 | 067890 | 1 | NUT, HEX - FLYWHEEL |
| 28 | 0E7585 | 1 | SPARKPLUG |
| 29 | 072734 | 1 | ASSEMBLY,GOVERNOR LEVER 12 HP |
| 30 | 072735 | 1 | ROD,GOVERNOR CONTROL. |
| 31 | 0C3978 | 1 | SPRING, ANTI-LASH |
| 32 | 0C6040 | 1 | ASSEMBLY, WIRE |
| 33 | 0D9760 | 1 | ASSEMBLY, IGNITION COIL |
| 34 | 0G3111 | 2 | SCREW, TAPTITE M6-1.0 X 25 ZINC |
| 35 | 0F3800 | 1 | SPRING GOVERNOR |
| 36 | 083502 | 1 | BOLT, GOVERNOR ADJUST M5 |
| 37 | 082025 | 1 | NUT HEX LOCK M5-0.8 NYINS ZINC |
| 38 | 0G4403 | 1 | ASSY OIL DRAIN HOSE |
| 39 | 0E7887C | 1 | ASSEMBLY, CAP & DIPSTICK |
| 40 | 090072 | 1 | O-RING 9/16 X 3/4 X 3/32 |
| 41 | 094090 | 1 | SWITCH, THERMAL 293F |
| 42 | 022145 | 1 | WASHER FLAT 5/16 - M8 |
| 43 | 0F2094 | 2 | SCREW, M3-0.5 X 6 SEMS |
| 44 | 0C4373 | 1 | SPACER ENDFRAME |
| 45 | 022717B | 1 | GOMMET |
| 46 | 0F3865 | 1 | SPRING SECONDARY |
| 47 | 0F3855 | 1 | BRACKET SECONDARY GOVERNOR SPRING |
| 48 | 039253 | 1 | SCREW HHC M8-1.25 x 20 |
| 49 | 0D3751 | 1 | SPRING, IDLE RETURNING |
| 50 | 0F3921 | 1 | BARREL GOVERNOR ADJUSTMENT |
| 51 | 0C8493 | 1 | SCREW SHC M5-0.8 x 30 |
| 52 | 0D8758 | 1 | ENGINE LIFT HOOK |
| 53 | 036916 | 2 | SCREW, PPHM #8-32 X 1/4 |