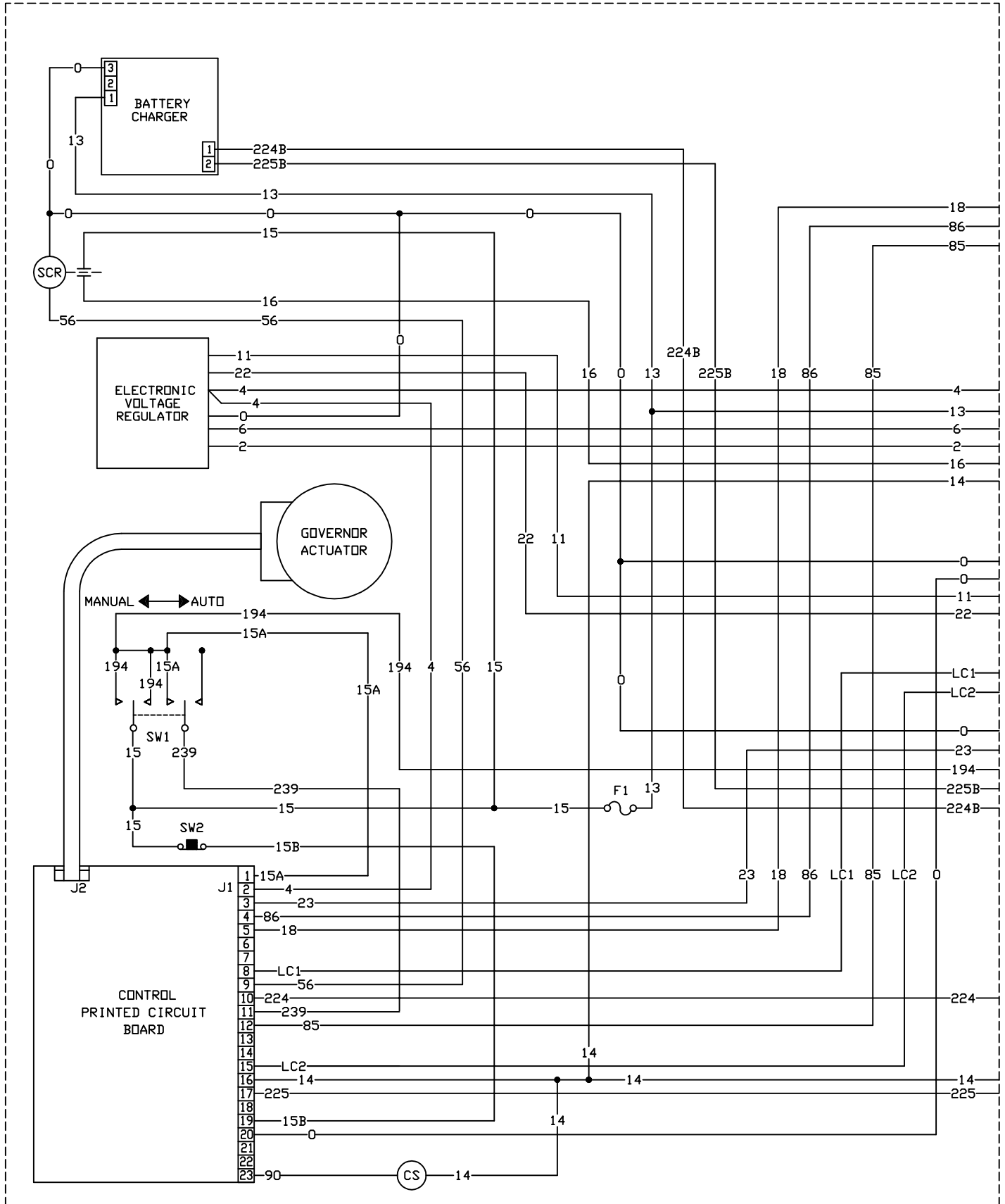


SCHMATIC – DIAGRAM



# SCHEMATIC – DIAGRAM

