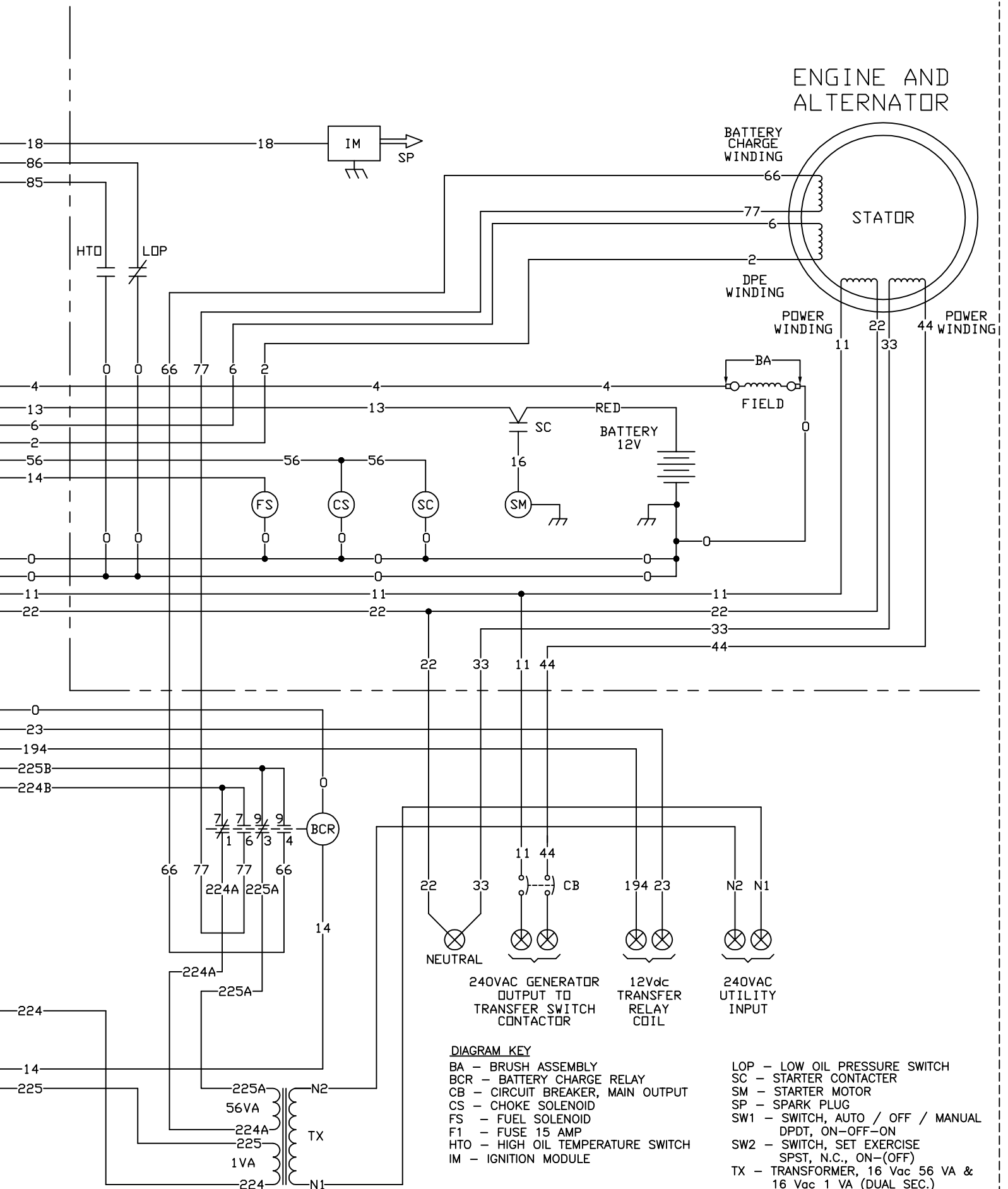


# ENGINE AND ALTERNATOR



### DIAGRAM KEY

- BA - BRUSH ASSEMBLY
- BCR - BATTERY CHARGE RELAY
- CB - CIRCUIT BREAKER, MAIN OUTPUT
- CS - CHOKE SOLENOID
- FS - FUEL SOLENOID
- F1 - FUSE 15 AMP
- HTO - HIGH OIL TEMPERATURE SWITCH
- IM - IGNITION MODULE

- LOP - LOW OIL PRESSURE SWITCH
- SC - STARTER CONTACTOR
- SM - STARTER MOTOR
- SP - SPARK PLUG
- SW1 - SWITCH, AUTO / OFF / MANUAL DPDT, ON-OFF-ON
- SW2 - SWITCH, SET EXERCISE SPST, N.C., ON-(OFF)
- TX - TRANSFORMER, 16 Vac 56 VA & 16 Vac 1 VA (DUAL SEC.)