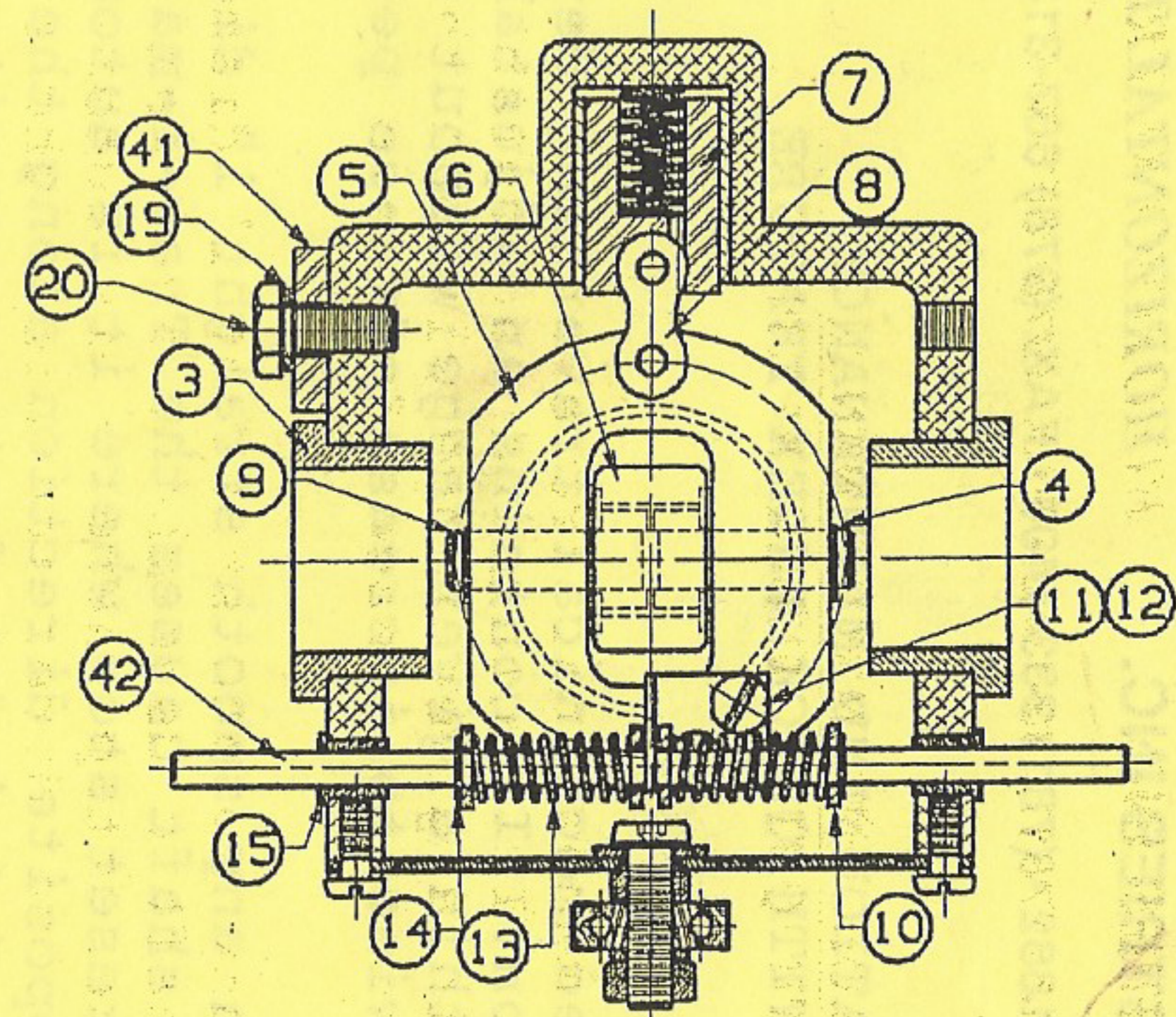
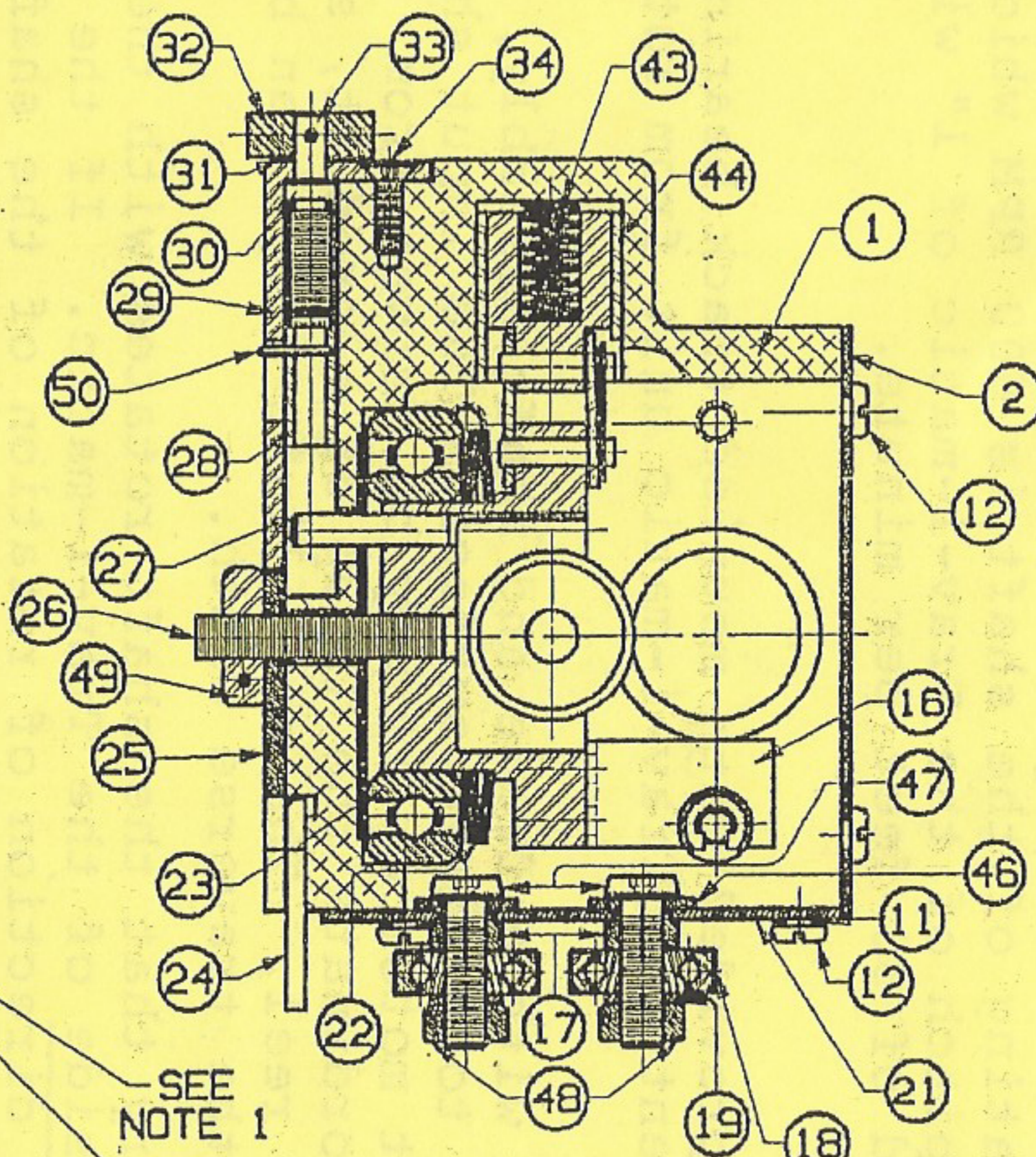


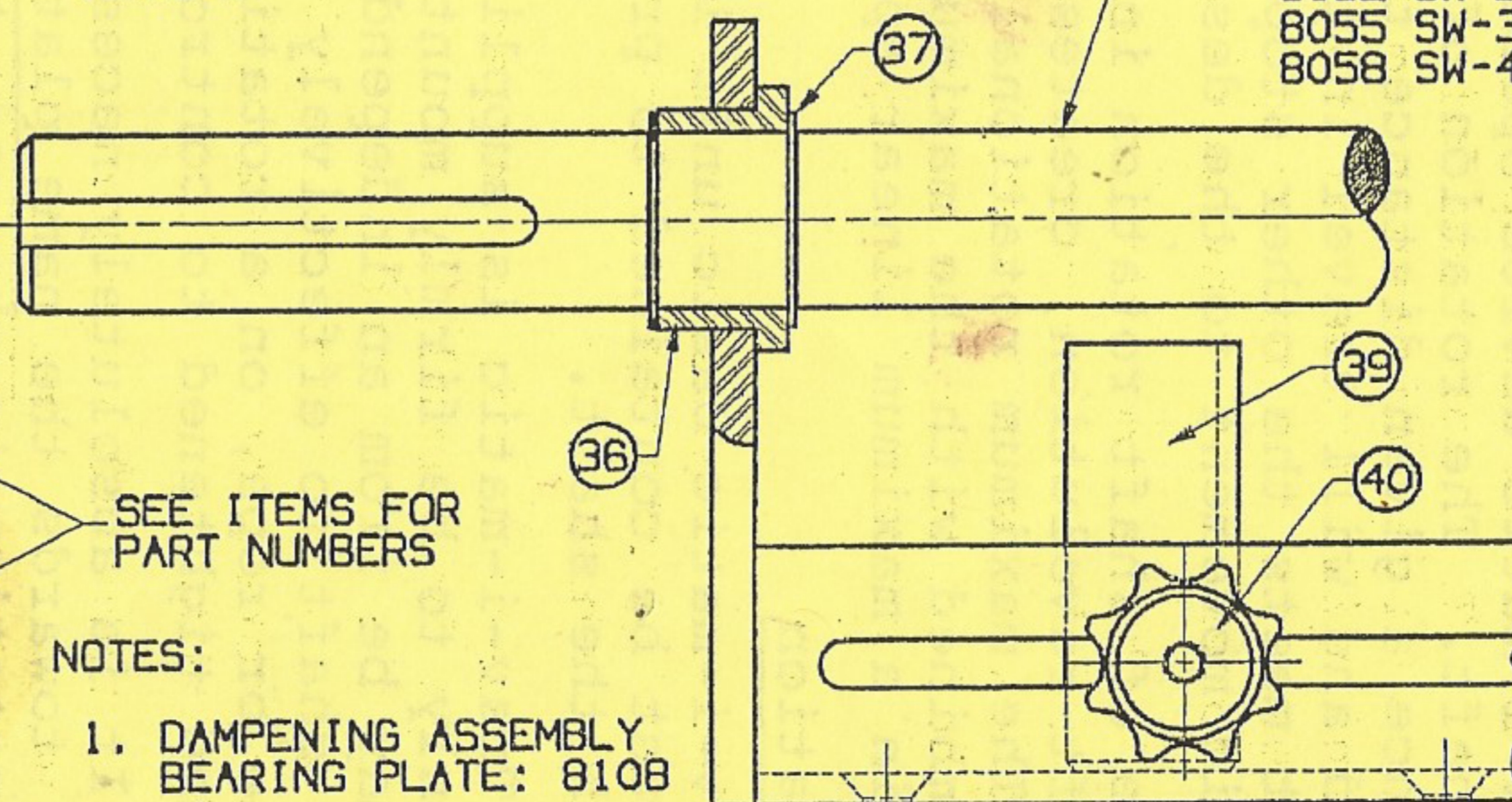
| ITEM # | QTY | DESCRIPTION | DWG # |
|--------|-----|--------------------------|-------|
| 1 | 1 | BODY TRAVERSE | 8120 |
| 2 | 1 | COVER | 8018 |
| 3 | 2 | BUSHING | 8014 |
| 4 | 2 | RETAINING RING | 8039 |
| 5 | 1 | SWIVEL ROLLER | 8080 |
| 6 | 1 | ROLLER | 8023 |
| 7 | 1 | PLUNGER | 8088 |
| 8 | 1 | CHAIN LINK | 8025 |
| 9 | 1 | ROLLER STUD | 8082 |
| 10 | 4 | WASHER | 8097 |
| 11 | 6 | LOCK WASHER | 8096 |
| 12 | 10 | SCREW | 8095 |
| 13 | 2 | SPRING | 8091 |
| 14 | 2 | RETAINING RING | 8093 |
| 15 | 2 | BUSHING | 8037 |
| 16 | 1 | SWIVEL PUSHER | 8081 |
| 17 | 2 | SELF CLINCHING NUT | 8084 |
| 18 | 2 | BEARING | 8092 |
| 19 | 4 | LOCK WASHER | 8098 |
| 20 | 2 | SCREW | 8099 |
| 21 | 1 | BEARING PLATE | 8097 |
| 22 | 1 | SPRING SET | |
| 23 | 1 | BEARING | 8020 |
| 24 | 1 | CAM SPRING REL. | 8089 |
| 25 | 1 | LEVER SPRING | 8087 |
| 26 | 1 | 1/4-20 THREADED STUD | 8138 |
| 27 | 1 | DOWEL PIN | 8124 |
| 28 | 1 | STOP PITCH ADJUST | 8118 |
| 29 | 1 | COVER PITCH ADJUST | 8119 |
| 30 | 1 | SCREW PITCH ADJUST | 8116 |
| 31 | 1 | SPRING WASHER | 8123 |
| 32 | 1 | KNOB, ADJUST | 8117 |
| 33 | 1 | GROOVE PIN | 8121 |
| 34 | 1 | FLAT HEAD SCREW | 8122 |
| 35 | 1 | FRAME | |
| 36 | 2 | BUSHING | 8114 |
| 37 | 2 | RETAINING RING | 8047 |
| 38 | 1 | SHAFT | |
| 39 | 2 | STOP BRACKET | 8036 |
| 40 | 2 | KNOB | 8074 |
| 41 | 1 | BRACKET | 8060 |
| 42 | 1 | STRIKER SHAFT | 8086 |
| 43 | 1 | SPRING | 8090 |
| 44 | 1 | BUSHING | 8094 |
| 46 | 2 | WASHER | 8125 |
| 47 | 2 | BUTTON HEAD SOCKET SCREW | 8126 |
| 48 | 2 | NUT | 8127 |
| 49 | 1 | THREADED SPLIT COLLAR | 8139 |
| 50 | 1 | DOWEL PIN | 8146 |



SHAFTS:

- 8015 SW-1 25" Lg.
- 8052 SW-2 37"
- 8055 SW-3 49"
- 8058 SW-4 61"

SEE NOTE 1
SEE NOTE 2



FRAMES:

- 8011 SW-1
- 8050 SW-2
- 8053 SW-3
- 8056 SW-4

SEE ITEMS FOR PART NUMBERS

NOTES:

1. DAMPENING ASSEMBLY BEARING PLATE: 8108
2. SPRING SET:
STANDARD : 8141
HEAVY DUTY: 8142
3. GUIDE PULLEY ASSEMBLY: 8068

TRAVIMATIC

CUSTOMER PART NUMBERS REV.

| | | | | | | | |
|--|--|---|--|--|--|---------------------------|--|
| UNLESS OTHERWISE SPECIFIED ALL DIMENSIONS ARE IN INCHES. | | MATERIAL SEE DETAIL DWG. | | CONDITION SEE DETAIL DWG. | | THIRD ANGLE PROJECTION | |
| TOLERANCES: | | DIAMETER | | SIMILAR 183128, 183127, 183128, 183129, 183130 | | REV | |
| X .XX = ± 0.010 | | DRAWN: RBJ | | SIZE C | | ECN NO. | |
| X .XXX = ± 0.005 | | CHECKED: | | SCALE 1:1 | | C 1407 | |
| ANGLES = ± 1° | | QUALITY: | | DATE 18JUL01 | | FEET PER 100 PCS. | |
| SURFACE FINISH J B3 | | MANUFACTURING: | | TITLE TRAV-I-MATIC ASSEMBLY STD & HD | | SHEET 1 OF 2 | |
| REMOVE ALL BURRS AND BREAK SHARP EDGES | | THIS DRAWING AND ALL INFORMATION HEREIN IS THE PROPERTY OF GEAR/TRONICS INDUSTRIES, INC. IT IS LOANED TO YOU FOR YOUR USE ONLY AND IS NOT TO BE REPRODUCED OR TRANSMITTED IN ANY FORM OR BY ANY MEANS, ELECTRONIC OR MECHANICAL, INCLUDING PHOTOCOPYING, RECORDING, OR BY ANY INFORMATION STORAGE AND RETRIEVAL SYSTEM. | | GEAR/TRONICS INDUSTRIES, INC. | | PART NO. TRAV-I-MATIC | |
| | | | | 100 CHELSEBURY ROAD P.O. BOX 376 NORTH BILLERICA, MA 01862 | | CAD FILE TRAV-I-MATIC.LIC | |