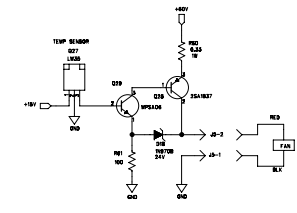
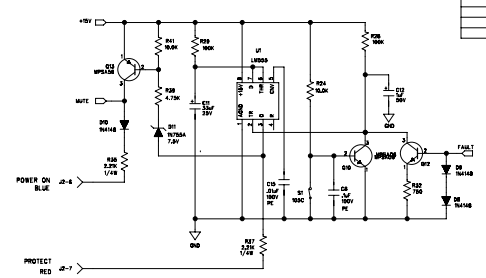


**NOTE:** Backline 210-II uses the same power amp as the 400RB-IV.

Customer Name:		Gallien-Krueger		Current Rev #:		A3		New ECO Rev #:		A4	
Model:		400RB-IV		Distribute To:				Page:		1 Of: 1	
Assembly Description:		Power Amp		Originator:		Enrique Hernandez					
Assembly Numbers:		206-0240-A		Approved by:							
		145-0240-A		Effective Date:		8/10/2005					
Effective				Document Update				Date		Initials	
<input checked="" type="checkbox"/>	All in Process	<input checked="" type="checkbox"/>	Next Buy	<input type="checkbox"/>	Artwork						
<input type="checkbox"/>	All in Service	<input checked="" type="checkbox"/>	Next Production Run	<input type="checkbox"/>	Assembly Dwg.						
<input type="checkbox"/>	All in Stock	<input type="checkbox"/>		<input checked="" type="checkbox"/>	Board Artwork					RAG	
Beginning Serial Number:				<input checked="" type="checkbox"/>	BOM					Noli	
Reason For Change				<input type="checkbox"/>	Control Form						
1. Q7(2SC3381) on power amp is obsolete, replace with two 2SC2240BL.				<input checked="" type="checkbox"/>	Costing					TC	
2. Remove R5, change values of R14 to 43.2K and C6 to 1uF, 50V. This is to decrease offset DC voltage from 45mVdc to 10mVdc.				<input checked="" type="checkbox"/>	Part Master File					Noli	
				<input checked="" type="checkbox"/>	Schematic					Noli	
				<input type="checkbox"/>	Service Manual						
				<input type="checkbox"/>	Test Procedure						
				<input type="checkbox"/>							
				Other Affected Assemblies							
				290 Assemblies , 302 Assembly (Head)							
				303 Assemblies (Combo)							
<input type="checkbox"/>	Continued on ECO Supplement Page										
Description Of Change				Distribution				Date		Initials	
Update Schematic				<input type="checkbox"/>	Accounting						
				<input type="checkbox"/>	Assembly						
Update PCB board part number to 145-0240-A4				<input checked="" type="checkbox"/>	Engineering						
				<input checked="" type="checkbox"/>	Incoming Q.C.						
Update Part Master File.				<input checked="" type="checkbox"/>	Production Eng.						
				<input checked="" type="checkbox"/>	Purchasing						
Update BOM				<input type="checkbox"/>	Q.A.						
				<input type="checkbox"/>	Service						
				<input type="checkbox"/>	Test						
<input type="checkbox"/>	Continued on Supplement Page		<input type="checkbox"/>	Drawing(s) attached							
Part Number	Description	Parts Added		Parts Deleted							
		Qty	Ref. Designator	Qty	Ref. Designator						
010-0000-0	2SC3381BL			1	Q7						
010-0010-0	2SC2240BL	2	Q7, Q7A								
060-1213-0	12.1k RES, 1/8W			2	R5, R14						
060-4323-0	43.2k RES, 1/8W	1	R14								
031-2106-0	CAP 10uF, 50V			1	C6						

REVISION RECORD			
LYN	ECO NO.	APPROVER	DATE



- NOTES: UNLESS OTHERWISE SPECIFIED,  
 1. TEST CONDITIONS: 100mV 1kHz SINE, DIRECT INPUT (PRE-AMP BYPASSED) NO LOAD  
 2. DENOTES RMS AC VOLTAGE

BIAS ADJUSTMENT PROCEDURE:  
 WITH POWER OFF, ADJUST POT R19 TO FULL COUNTER-CLOCKWISE POSITION. TURN ON POWER AND WAIT 5 SECONDS FOR TURN ON DELAY. TURN R21 CLOCKWISE UNTIL VOLTAGE ACROSS J4 READS 0 mVDC.

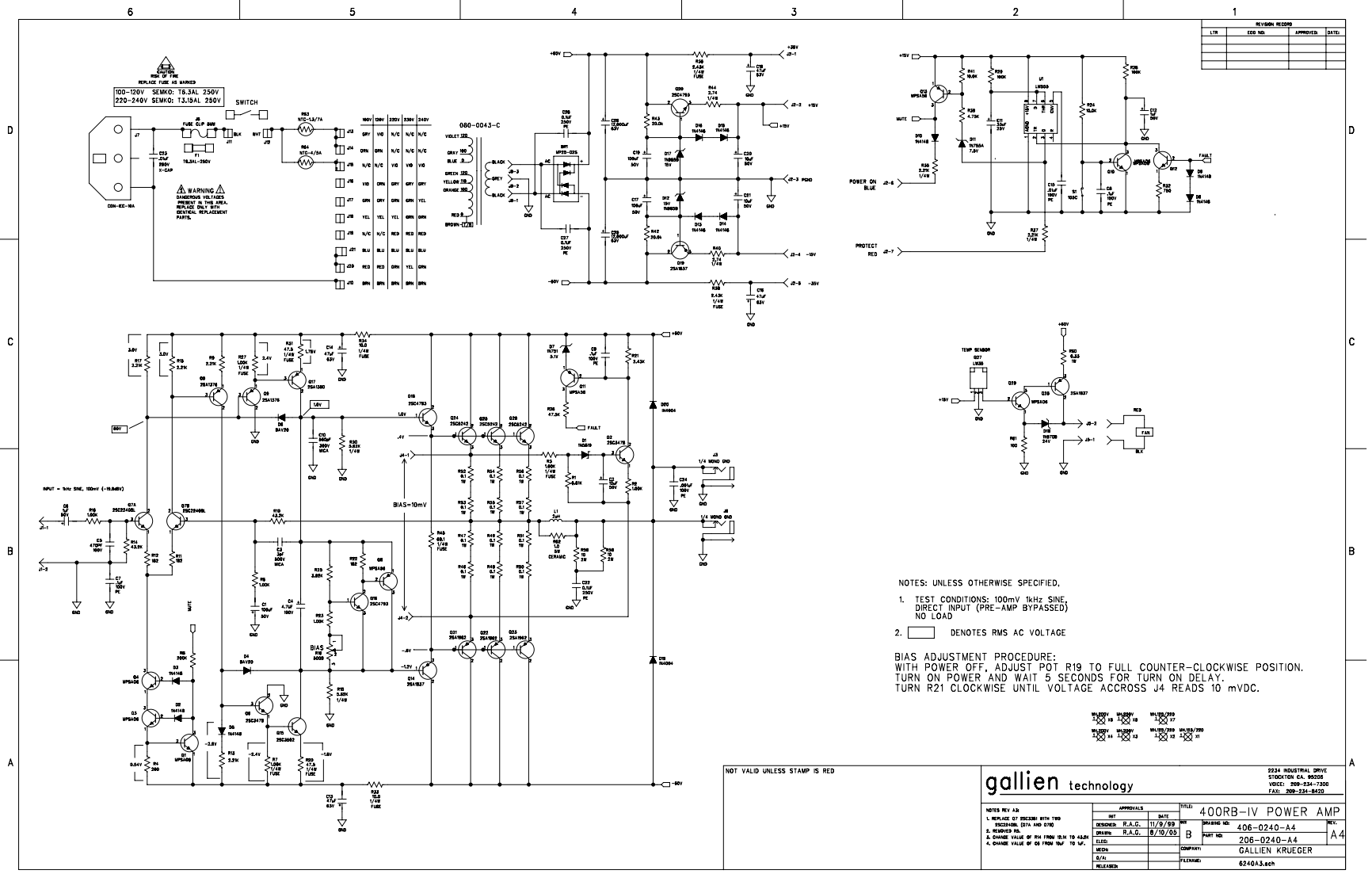
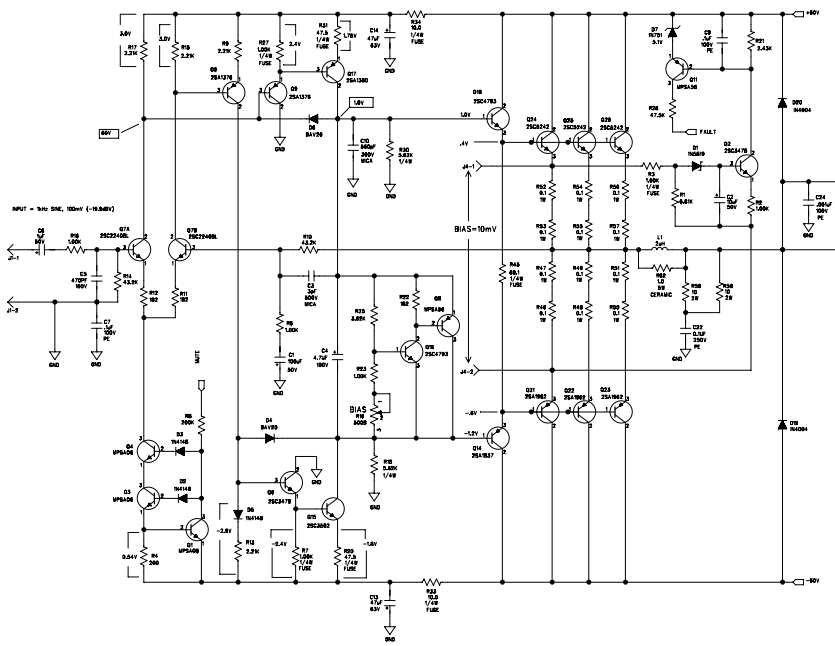
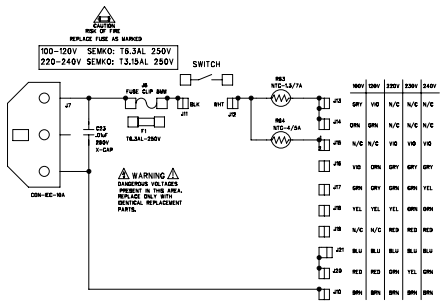
W1001	W1002	W1003	W1004	W1005	W1006	W1007	W1008	W1009	W1010
1000	1000	1000	1000	1000	1000	1000	1000	1000	1000

NOT VALID UNLESS STAMP IS RED

**gallien technology**

2224 INDUSTRIAL DRIVE  
 STOCKTON CA 95206  
 VOICE: 209-254-7300  
 FAX: 209-254-8029

NOTES REV A4	APPROVALS	TITLE	400RB-IV POWER AMP
1. REPLACE Q1 PRECISE WITH 100 PRECISION DATA AND 8700	DESIGNED: R.A.G. 11/9/99	DATE	406-0240-A4
2. REVISED FILE	DRAWN: R.A.G. 8/10/03	REV	B
3. CHANGE VALUE OF R4 FROM 10K TO 4.5K	DATE	PART NO.	206-0240-A4
4. CHANGE VALUE OF C6 FROM 100N TO 1uF	COMPANY	DESIGNED BY	GALLIEN KRUEGER
	RELEASED	FILENAME	6240A3.sch



6 5 4 3 2 1