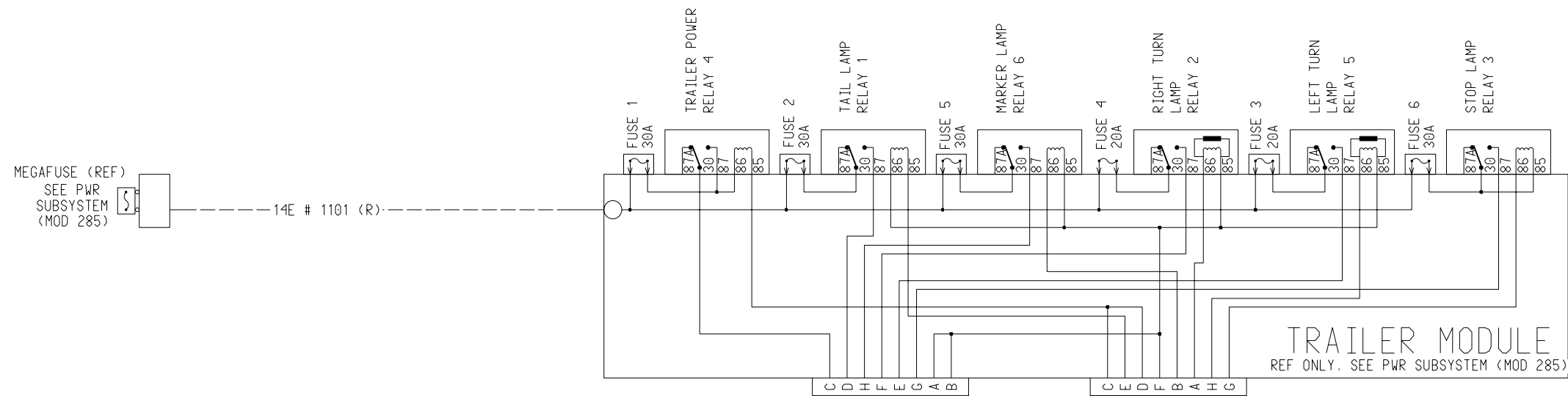


RELEASE NUMBER	REV	ZONE	REVISION DESCRIPTION	BY	DATE	APPD
P16195-01	B	XXX	INITIAL RELEASE	S P	09/04/01	PCB



REFERENCE COMPONENTS

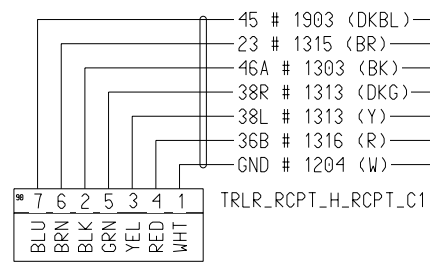
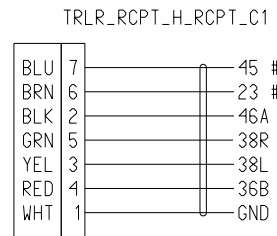
TRAILER MODULE (MOD335)
P/N: A06-39464-000
MATING CON: BUS32006A22; 8W-BLK
BUS32006B22; 8W-GRY
RING TERM: PAC12146361-M8,FUSED PWR

CHASSIS MODULE (MOD355)
P/N: 06-34530-000
MATING CON: PAC15326654;8W

7-WAY TRAILER CONNECTOR ASSY
P/N: PHM42FL106 (90 DEG)
P/N: PHM42FL105 (0 DEG)

PRIMARY RECEPTACLE
P/N: PHM16 726

PRIMARY RCPT
(STRAIGHT BOOT)

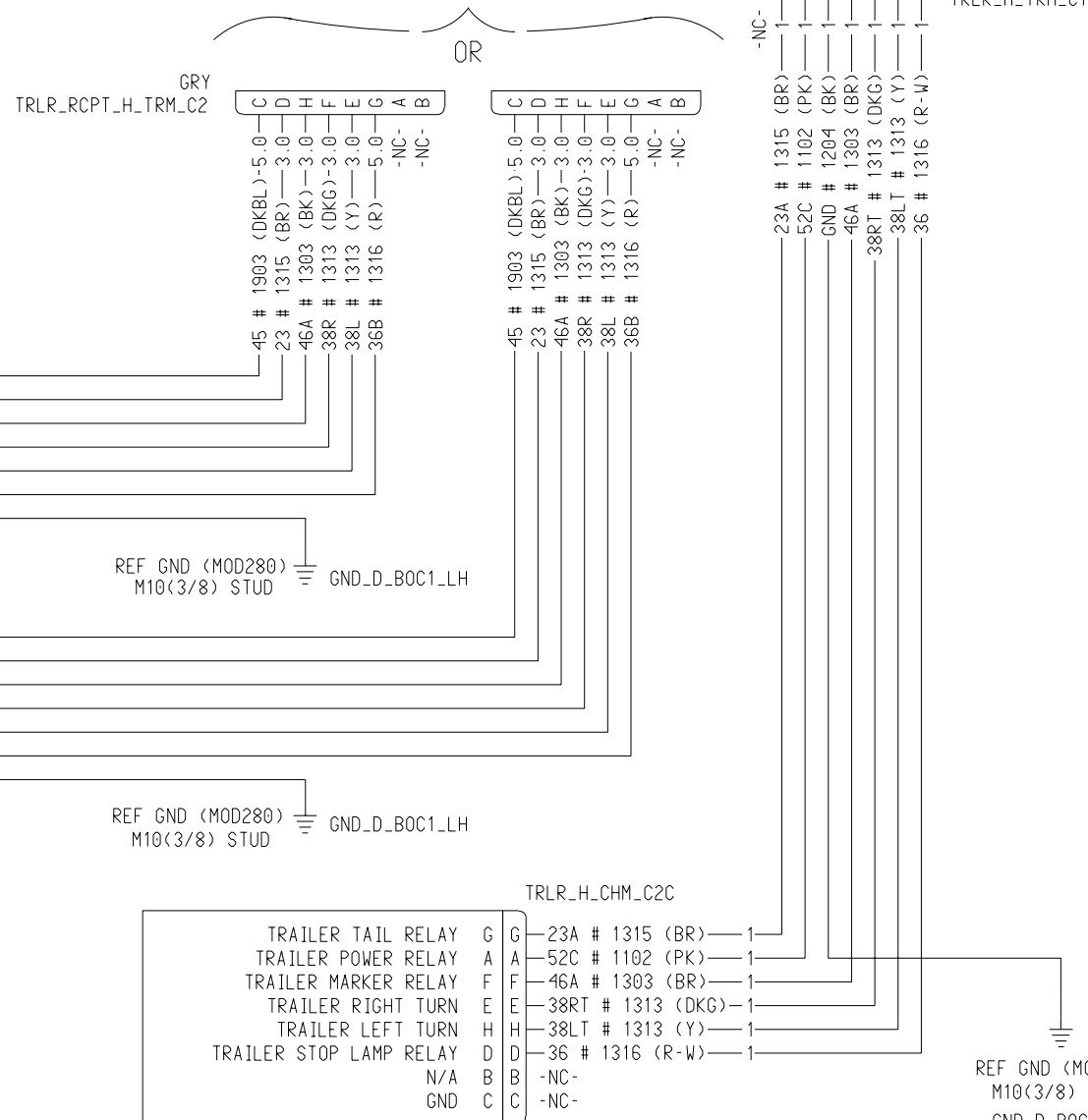


WIRE SIZE SHOWN IN mm²

GAUGE / METRIC	AWG
0.35	22
0.50	20
0.80	18
1.00	16
2.00	14
3.00	12
5.00	10
8.00	8
13.00	6
19.00	4
32.00	2
40.00	1
50.00	0
62.00	2/0

TRAILER RECEPTACLES (TRLR)

- PART NUMBERS SHOWN ARE FOR REFERENCE ONLY, MAY NOT BE INDICATIVE FOR SPECIFIC TRUCK IN PRODUCTION
- HARNESSES FOUND IN MODULES 296 AND 297.



FREIGHTLINER LLC

THE INFORMATION CONTAINED HEREIN IS PROPRIETARY DATA, AND IS NOT FOR DISSEMINATION OR DISCLOSURE, IN WHOLE OR IN PART, FOR ANY PURPOSE OTHER THAN THAT FOR WHICH IT IS SUBMITTED, EXCEPT AS AUTHORIZED IN WRITING BY FREIGHTLINER CORPORATION.

MATERIAL APPROVAL: DATE: xx/xx/xx

DRAWN BY: H. DOWNS/PERRON DATE: 09/04/01

CHECKED BY: D.O'CONNOR DATE: XXXXX

RESPONSIBLE ENGINEER: S.PERRON DATE: 11/05/01

APPROVED BY: P.BRANDT DATE: XXXXX

UNLESS OTHERWISE NOTED, DIMENSIONS AND TOLERANCES ARE DEFINED ACCORDING TO ASME STANDARD Y14.5M-1994, WITH EXCEPTIONS PER FREIGHTLINER EDSM 09E0-K17.

THIRD ANGLE PROJECTION

UNITS OF MEASURE: MM

DESCRIPTION: WRG - TRLR, PRIMARY RCPT, M2

SUPPLEMENTARY DESCRIPTION: M2 W/O PLC 296B4

ITEM/DRAWING NUMBER: 606-39466 REVISION LETTER: B SHEET NUMBER: 1 OF 1

FILE PATH = \$FTL/ftl_data/Product/M2/Hiring/Diagrams/TRLR/606-39466.B.M2.TRLR_RCPTACLE schemat.ic sheet1

LAST FILE = Mon Nov 5 15:45:48 2001

PLOT DATE = Mon, Nov 5, 2001, 3:55:39 pm.