

# THE FISHER



## PROMENADE

## SCHEMATIC and

## PARTS LIST



MODEL 310

CHASSIS SERIAL NUMBERS  
10001-19999 INCLUSIVE

PRICE: \$1.00

FISHER RADIO CORPORATION • NEW YORK

(c) [www.fisherconsoles.com](http://www.fisherconsoles.com)

CHASSIS SERIAL NUMBERS  
10001-19999 INCLUSIVE

THE FISHER 310





# PARTS DESCRIPTION LIST

## PREAMPLIFIER

### CAPACITORS

20% tolerance for all fixed capacitors, unless otherwise noted or marked GMV (guaranteed minimum value.)  
Cer = Ceramic

Symbol	Description	Order No.
C1, 2	Ceramic, 10uuf 10% NPO, 1000V	C50070-11
C3, 4	Ceramic, 24uuf 5% N150, 1000V	C50070-8
C6	Molded, .0047uf 10%, 250V	C50074-24
C7, 8	Electrolytic, 25uf, 6V	C639-114
C9	Molded, .0047uf 10%, 250V	C50074-24
C10	Ceramic, 1000uuf 10%, 1000V	C50072-3
C11, 12	Molded, .022uf 10%, 250V	C50074-26
C13	Ceramic, 1000uuf 10%, 1000V	C50072-3
C14	Ceramic, 150uuf 10%, 500V	CC21GP151K5
C15, 16	Ceramic, .0027uf 10%, 1000V	C50072-17
C17	Ceramic, 150uuf 10%, 500V	CC21GP151K5
C18	Molded, .0047uf 10%, 250V	C50074-24
C19, 20	Molded, .022uf 10%, 250V	C50074-26
C21	Molded, .0047uf 10%, 250V	C50074-24
C22, 23	Ceramic, 68uuf 10% N2200, 500V	C50070-12

### RESISTORS AND POTENTIOMETERS

In ohms, 10% tolerance, 1/2 watt, unless otherwise noted.  
K = kilohm, M = megohm.

Symbol	Description	Order No.
R1, 2	Composition, 150K	RC20BF154K
R3, 4	Composition, 2.2M	RC20BF225K
R5, 6	Composition, 3.3M	RC20BF335K
R7, 9	Composition, 15M	RC20BF156K
R10	Composition, 100K	RC20BF104K
R11, 12	Composition, 1.2K	RC20BF122K
R13	Composition, 100K	RC20BF104K
R15	Potentiometer, dual, 1M Bass	R718-120
R16	Composition, 220K	RC20BF224K
R17, 18	Composition, 15K	RC20BF153K

R19	Composition, 220K
R21, 22	Composition, 47K
R23	Potentiometer, dual, 1M Treble
R24	Composition, 100K
R25, 26	Composition, 1.2K
R27	Composition, 100K
R28, 29	Composition, 47K
R30	Potentiometer, dual, 500K Volume
R31	Composition, 270K
R32	Composition, 68K
R33	Potentiometer, 500K Balance
R34	Composition, 68K
R35	Composition, 270K

### SWITCHES

S1	Switch, Selector	S718-119
S2	Switch, AC	Part of R30

## POWER AMPLIFIER

### CAPACITORS

20% tolerance for all fixed capacitors, unless otherwise noted or marked GMV (guaranteed minimum value.)  
Cer = Ceramic

Symbol	Description	Order No.
C5	Electrolytic, three section: C5A: 40uf, 350V C5B: 40uf, 300V C5C: 40uf, 300V	C730-126
C24, 25	Molded, .022uf 10%, 250V	C50074-26
C26, 27	Ceramic, 300uuf 10%, 500V	CC21GP301K5
C28, 29	Ceramic, 150uuf 10%, 1000V	C50072-18
C30, 31		
32, 33	Molded, .022uf 10%, 500V	C50074-36
C34	Electrolytic, 50uf, 50V	C508-115

RC20BF224K
RC20BF473K
R618-120
RC20BF104K
RC20BF122K
RC20BF104K
RC20BF473K
R718-122
RC20BF274K
RC20BF683K
R718-121
RC20BF683K
RC20BF274K

### RESISTORS AND POTENTIOMETERS

In ohms, 10% tolerance, 1/2 watt, unless otherwise noted.  
K = kilohm, M = megohm.

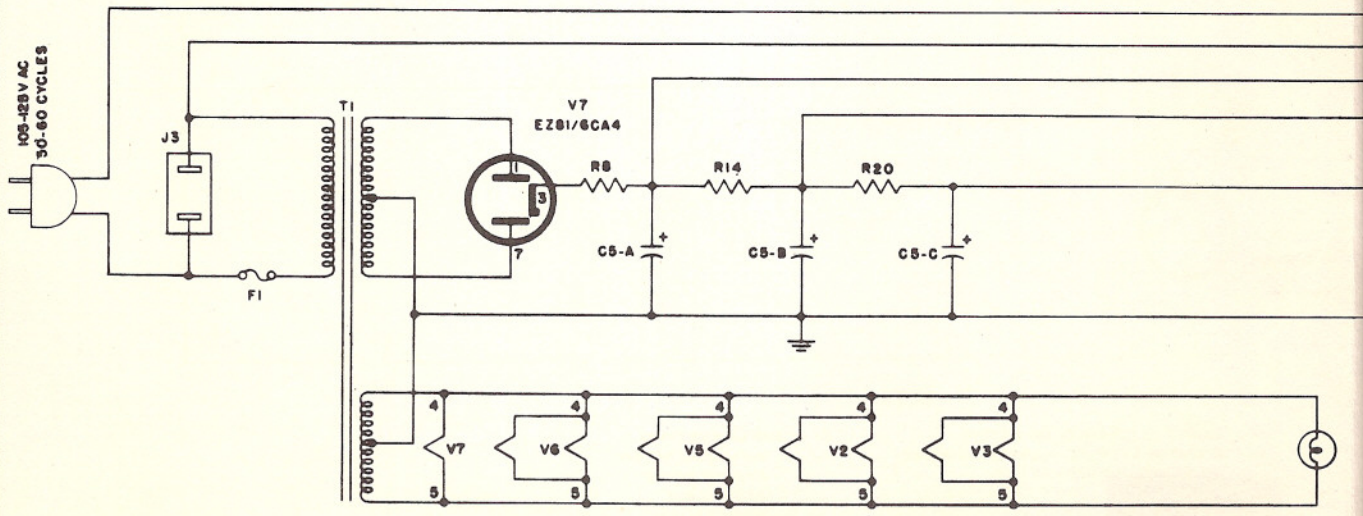
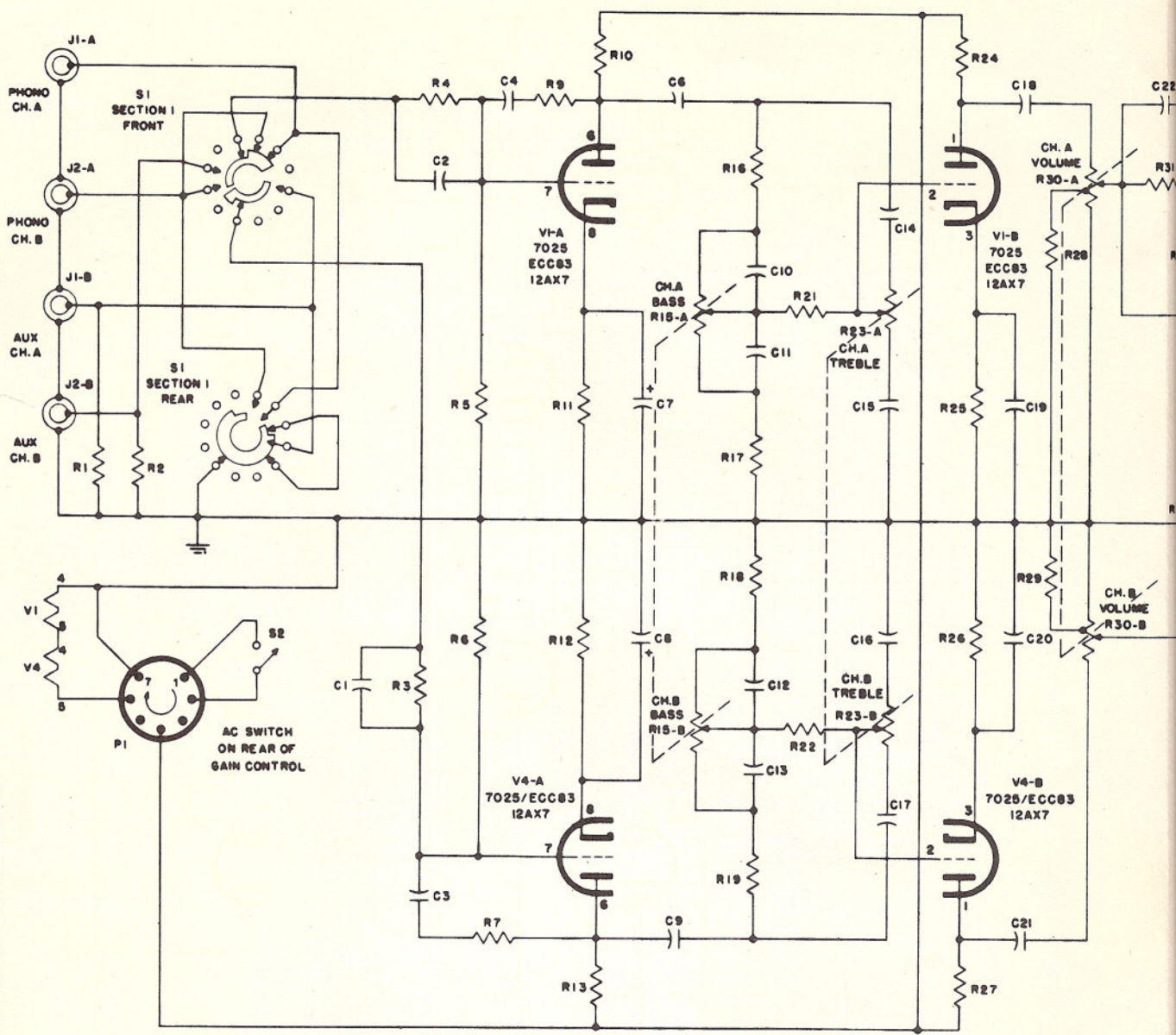
Symbol	Description	Order No.
R8	Wirewound, 140, 7W	R718-131
R14	Wirewound, 4500, 5W	R718-24
R20	Composition, 3.3K	RC20BF332K
R36, 37	Composition, 1.2M	RC20BF125K
R38, 39	Composition, 10K	RC20BF103K
R40	Composition, 820K	RC20BF824K
R41, 42	Composition, 1.2K	RC20BF122K
R43	Composition, 820K	RC20BF824K
R44, 45		
46, 47	Composition, 100K	RC20BF104K
R48, 49		
50, 51	Composition, 1.2M	RC20BF125K
R52	Composition, 2.2K	RC20BF222K
R53	Composition, 33K	RC20BF333K
R54	Composition, 10K	RC20BF103K
R55	Composition, 33K	RC20BF333K
R56	Composition, 2.2K	RC20BF222K
R57	Composition, 15K	RC20BF153K

### MISCELLANEOUS

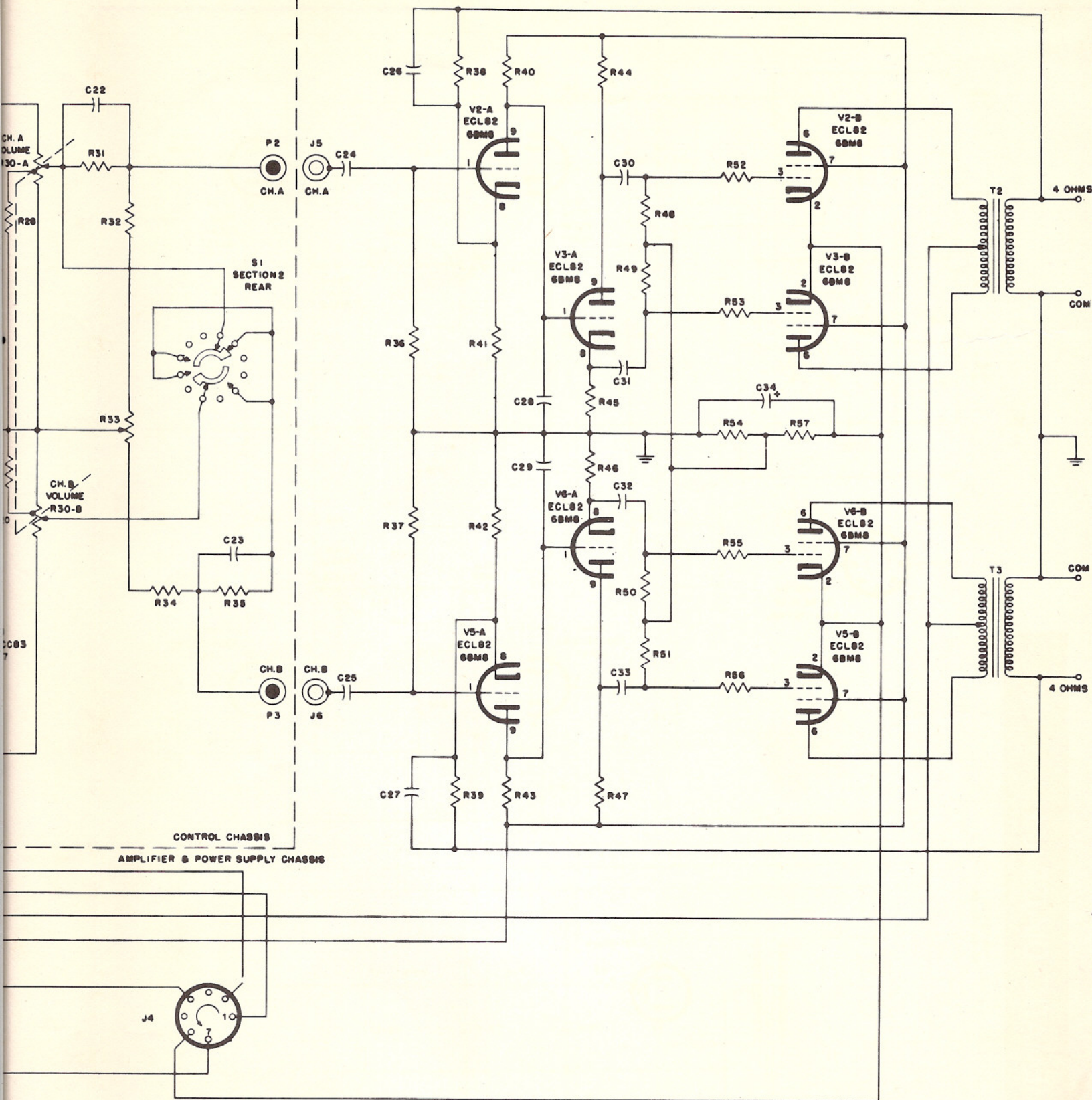
Symbol	Description	Order No.
F1	Fuse, 2 Ampere, Slo-Blo	F643-154
I1	Pilot Light #47	I50009-1
T1	Transformer, Power	T718-115
T2, 3	Transformer, Output	T718-116
—	45 Spindle, LRS-4 for RC-121 Mark II Changer	A50127
—	Knob	E50052-15
—	Phono Cartridge	G50111
—	Jewel for Pilot Light	I50147-4
—	Loudspeaker, Dual Cone, 8 in., 8 ohms	LS703-116
—	Record Changer, RC-121 MARK II, less Cartridge	RC558-127
—	Resistor Wirewound, 15 ohms 10% 5W, used for loading when Companion Speaker system, Model 130, is not used.	R719-106



SCHEMATIC DIAGRAM







**NOTES**

1. SWITCH S1 (CHANNEL SELECTOR)  
SHOWN IN EXTREME COUNTERCLOCKWISE  
(MONAURAL) PHONO POSITION

2. S1 SWITCH POSITIONS  
MONAURAL PHONO  
STEREO PHONO  
STEREO AUX  
MONAURAL AUX



---

NOTES



**FISHER RADIO CORPORATION • NEW YORK**

F719

(c) [www.fisherconsoles.com](http://www.fisherconsoles.com)

4183FM-128