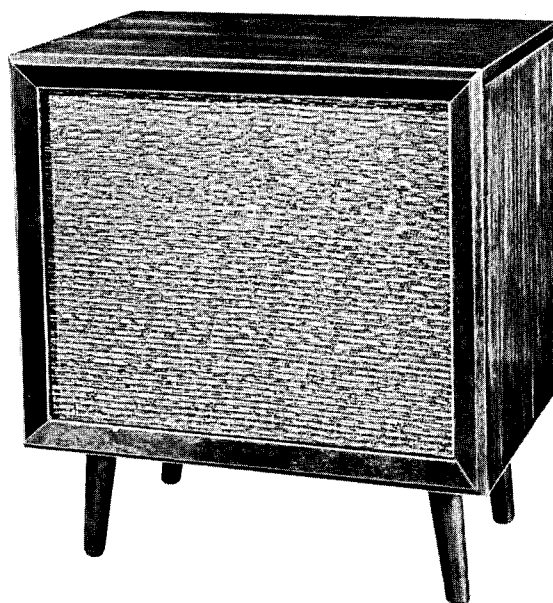




THE  
FISHER<sup>®</sup>

HIGH FIDELITY GRAMOPHONE

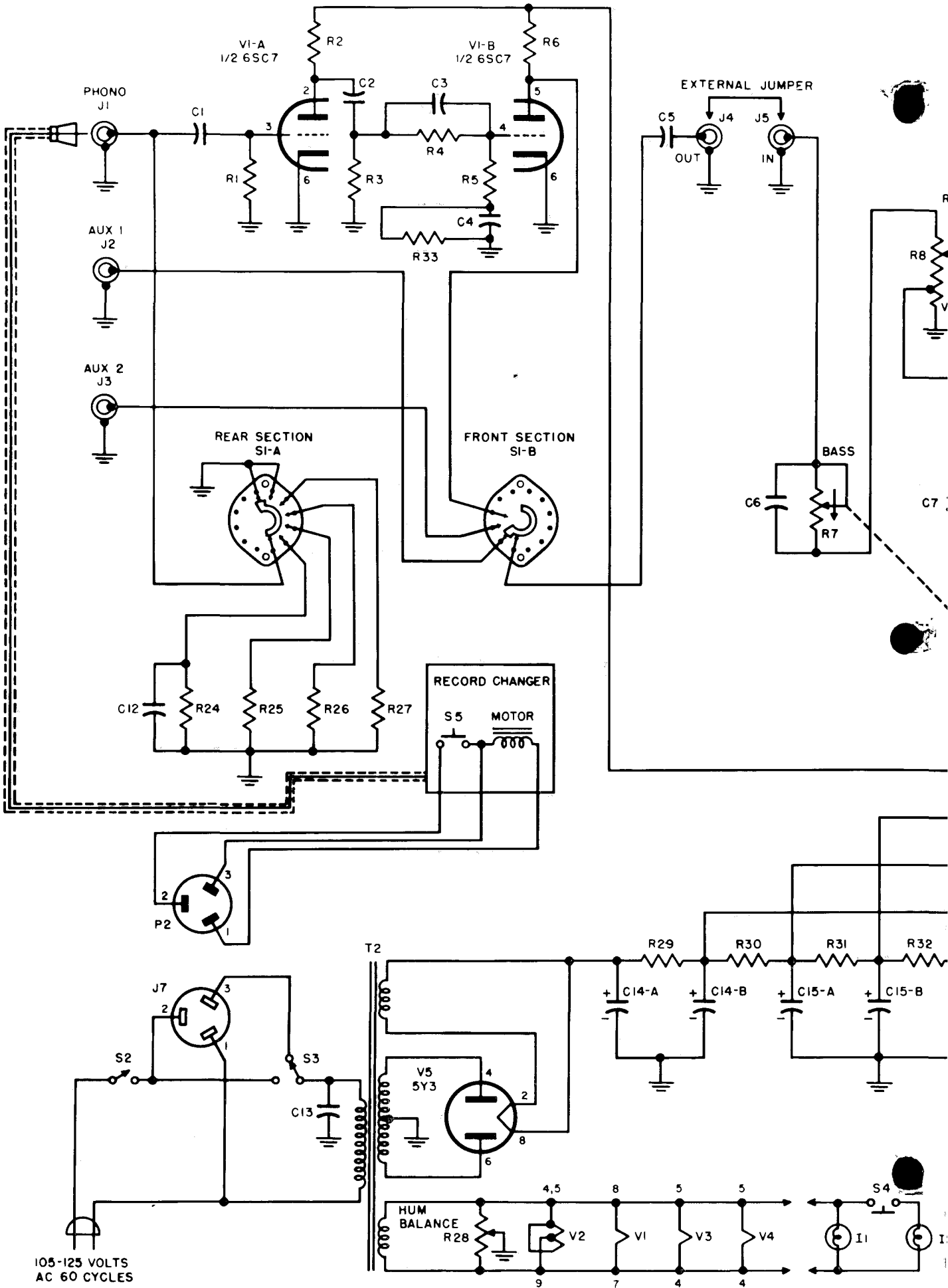
SERVICE MANUAL

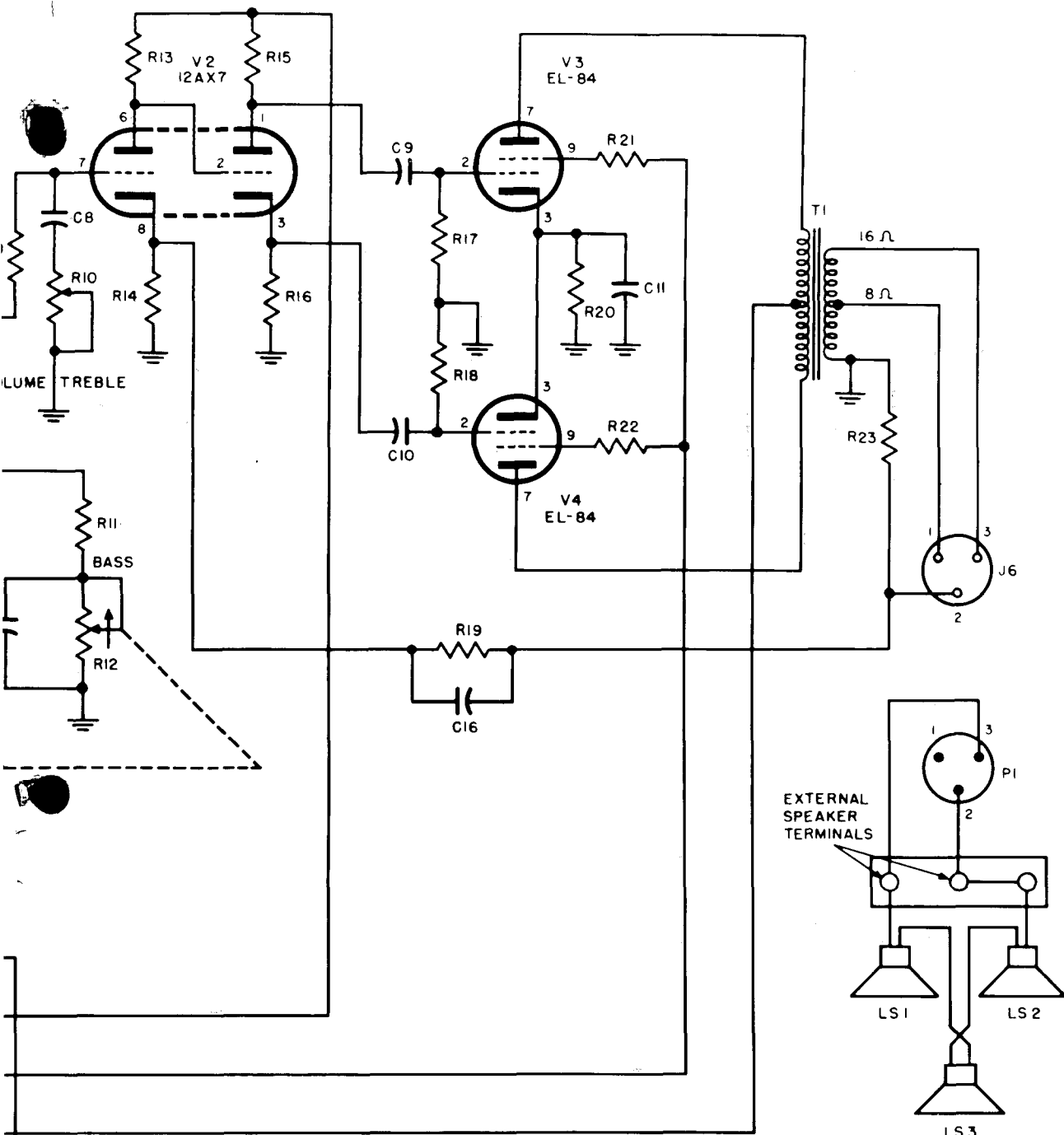


SERIES 101

PRICE: \$1.00

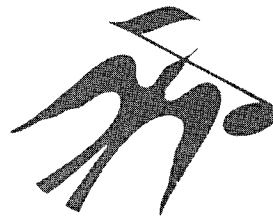
FISHER RADIO CORPORATION • NEW YORK





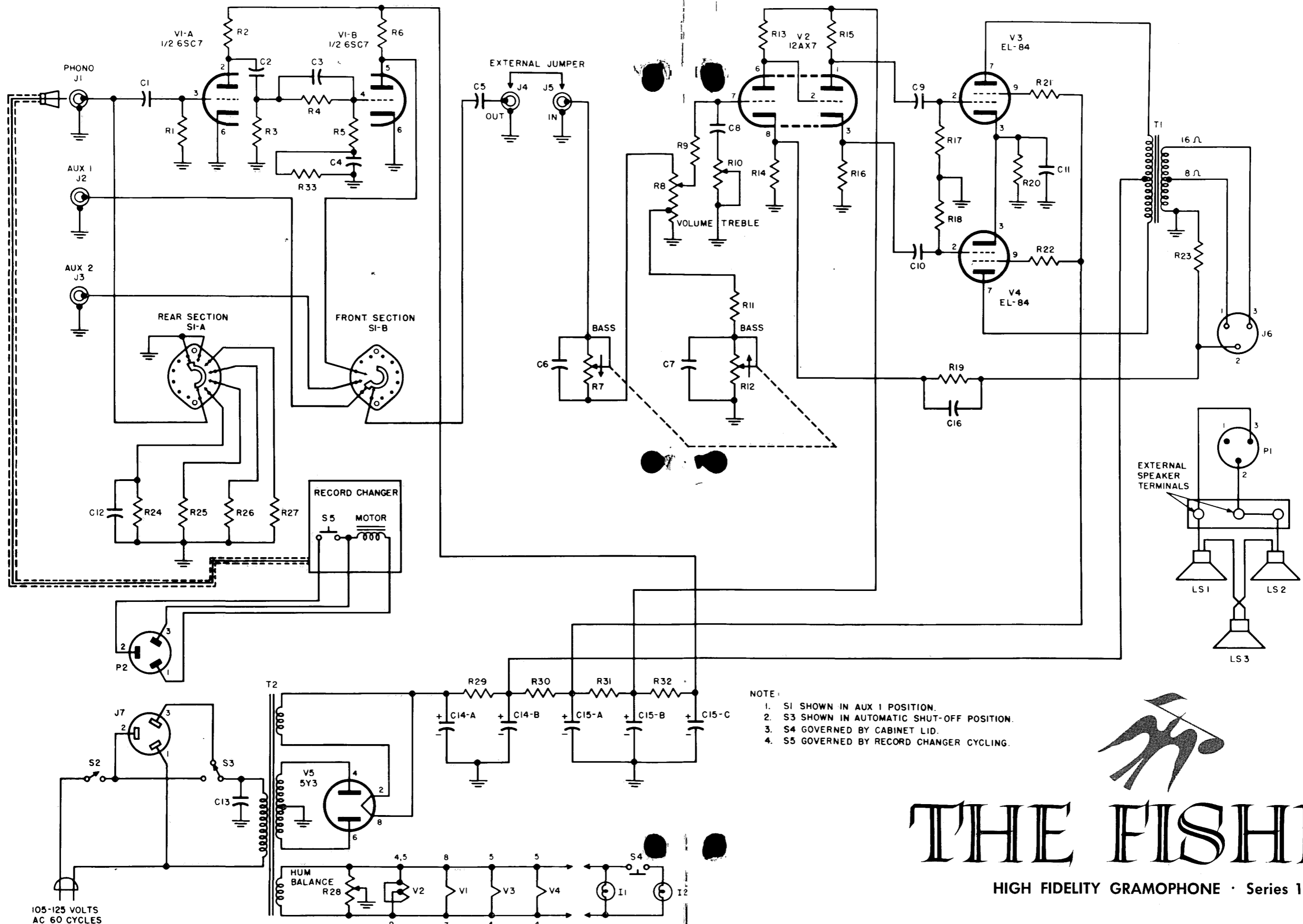
NOTE:

1. S1 SHOWN IN AUX 1 POSITION.
2. S3 SHOWN IN AUTOMATIC SHUT-OFF POSITION.
3. S4 GOVERNED BY CABINET LID.
4. S5 GOVERNED BY RECORD CHANGER CYCLING.

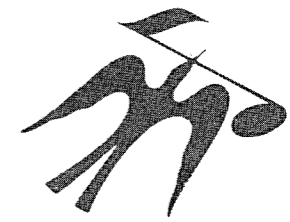


# THE FISHER

HIGH FIDELITY GRAMOPHONE · Series 101



NOTE:  
 1. S1 SHOWN IN AUX 1 POSITION.  
 2. S3 SHOWN IN AUTOMATIC SHUT-OFF POSITION.  
 3. S4 GOVERNED BY CABINET LID.  
 4. S5 GOVERNED BY RECORD CHANGER CYCLING.



# THE FISHER

HIGH FIDELITY GRAMOPHONE · Series 101

105-125 VOLTS  
 AC 60 CYCLES

# Parts Description List

Symbol	Description	Part No.	Symbol	Description	Part No.
C-1	Capacitor: 0.022 mfd, 20%; 400 V	C68P223M4	R-5	Resistor, Composition: 47,000 ohms, 10%; 1/2 W	RC20BF473K
C-2	Capacitor: 0.01 mfd, 20%; 400 V	C68P103M4	R-6	Resistor, Composition: 100,000 ohms, 10%; 1/2 W	RC20BF104K
C-3	Capacitor, Ceramic: 24 mmfd, 10%; 500 V	CC21GF240K5	R-7	Potentiometer, Dual: (See R-12) 2 megohms	R-539-112
C-4	Capacitor: 0.0047 mfd, 10%; 400 V	C68P472K4	R-8	Potentiometer, Composition: 500,000 ohms, tapped at 125,000 ohms	R-50000-11
C-5	Capacitor: 0.01 mfd, 20%; 400 V	C68P103M4	R-9	Resistor, Composition: 220,000 ohms, 10%; 1/2 W	RC20BF224K
C-6	Capacitor, Ceramic: 1000 mmfd, 10%; 500 V	CC26GF102K5	R-10	Potentiometer, Composition: 1 megohm	R-50000-9
C-7	Capacitor: 0.022 mfd, 20%; 400 V	C68P223M4	R-11	Resistor, Composition: 10,000 ohms, 10%; 1/2 W	RC20BF103K
C-8	Capacitor, Ceramic: 1000 mmfd; 500 V	CC26GF102K5	R-12	Potentiometer, Dual: (See R-7) 250,000 ohms	R-539-112
C-9, C-10	Capacitor: 0.01 mfd, 20%; 400 V	C68P103M4	R-13	Resistor, Composition: 470,000 ohms, 10%; 1/2 W	RC20BF474K
C-11	Capacitor, Electrolytic: 50 mfd; 25 V	C-556-128	R-14	Resistor, Composition: 680 ohms, 10%; 1/2 W	RC20BF681K
C-12	Capacitor: 0.0039 mfd, 10%; 200 V	C68P392K2	R-15, R-16	Resistor, Composition: 100,000 ohms, 10%; 1/2 W	RC20BF104K
C-13	Capacitor, Molded: 0.01 mfd; 600 V	C-2747	R-17, R-18	Resistor, Composition: 470,000 ohms, 10%; 1/2 W	RC20BF474K
C-14A, B	Capacitor, Electrolytic: 40 mfd; 450 V	C-1798	R-19	Resistor, Composition: 1500 ohms, 10%; 1/2 W	RC20BF152K
C-15A, B, C	Capacitor, Electrolytic: 2 sections, 40 mfd, 1 section, 20 mfd; 450 V	C-50028-1	R-20	Resistor, Wirewound: 125 ohms; 7 W	R-556-124
C-16	Capacitor, Ceramic: 1500 mmfd, 10%; 500 V	CC26GF152K5	R-21, R-22	Resistor, Composition: 68 ohms, 10%; 1/2 W	RC20BF680K
I-1	Pilot Lamp	I-50099-1	R-23	Resistor, Wirewound: 2 ohms; 2 W	R-539-108
I-2	Lamp, Changer Compartment	I-558-117	R-24	Resistor, Composition: 2200 ohms, 10%; 1/2 W	RC20BF222K
J-1, 2, 3, 4, 5	Jack, Phono	J-3143	R-25	Resistor, Composition: 4700 ohms, 10%; 1/2 W	RC20BF472K
J-6	Jack, Speaker	J-1589	R-26	Resistor, Composition: 15,000 ohms, 10%; 1/2 W	RC20BF153K
J-7	Receptacle, 3-pole	J-539-118	R-27	Resistor, Composition: 27,000 ohms, 10%; 1/2 W	RC20BF273K
LS-1, 2, 3	Loudspeaker	LS-541-133	R-28	Retentiometer, Wirewound: 500 ohms	R-516-121
P-1	Plug, Speaker	P-1590	R-29	Resistor, Wirewound: 200 ohms	R-539-120
P-2	Plug, Record Changer	P-541-134	R-30	Resistor, Composition: 2700 ohms, 10%; 1 W	RC30BF272K
R-1	Resistor, Composition: 22 megohms, 10%; 1/2 W	RC20BF226K	R-31	Resistor, Composition: 4700 ohms, 10%; 1/2 W	RC20BF472K
R-2	Resistor, Composition: 100,000 ohms, 10%; 1/2 W	RC20BF104K	R-32	Resistor, Composition: 22,000 ohms, 10%; 1/2 W	RC20BF223K
R-3	Resistor, Composition: 22 megohms, 10%; 1/2 W	RC20BF226K	R-33	Resistor, Composition: 2.2 megohms, 10%; 1/2 W	RC20BF222K
R-4	Resistor, Composition: 1 megohm, 10%; 1/2 W	RC20BF106K	S-1	Switch, Selector	S-539-108
			S-2	Switch, Power: Part of R-7 and R-12	S-539-122
			S-3	Switch, Automatic: Shut-off	S-539-117
			T-1	Transformer, Output	T-539-111
			T-2	Transformer, Output	T-539-116

## Voltage Reference Chart

### SOCKET PINS

TUBE	1	2	3	4	5	6	7	8	9
V-1 6SC7	0	120	-0.8	-0.6	120	0	6.3 AC across Pins 7 & 8		—
V-2 12AX7	225	62	64	6.3 AC to Pin 9		62	-0.3	0.3	6.3 AC to Pins 4 & 5
V-3 EL-84	0	0	11.5	6.3 AC to Pins 4 & 5		310	350	NC	310
V-4 EL-84	0	0	11.5	6.3 AC to Pins 4 & 5		310	350	NC	310
V-5 5Y3	—	375	—	350 AC	—	350 AC	—	375	—

NOTES: Line voltage set at 117 V, 60 cycles. Voltage readings may vary  $\pm 10\%$  under normal operating conditions. All voltages read with vacuum tube voltmeter, under no-signal condition.

Voltages read with respect to chassis and are D.C. unless otherwise specified. Band switch set at RIAA. Volume and tone controls maximum counterclockwise. Power switch on.

## Resistance Reference Chart

### SOCKET PINS

TUBE	1	2	3	4	5	6	7	8	9
V-1 6SC7	0	INF	22M	2.2M	INF	0	0-100*	0-100*	—
V-2 12AX7	INF	INF	100K	0-100*	0-100*	INF	220K	500	0-100*
V-3 EL-84	—	470K	125	0-100*	0-100*	INF	INF	—	INF
V-4 EL-84	—	470K	125	0-100*	0-100*	INF	INF	—	INF
V-5 5Y3	—	INF	—	100	—	100	INF	INF	—

CAUTION: Be certain to disconnect AC line cord when making these measurements. All resistance in ohms unless otherwise specified. M equals megohms. K equals kilohms.

\*Depends on setting of hum adjustment control. Measurements taken with respect to chassis.

## NOTES