

*Stereophonic*

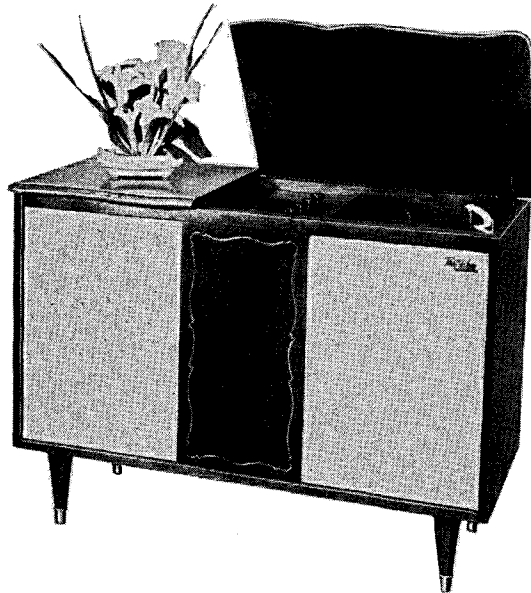


**THE FISHER**

**CUSTOM ELECTRA III**

**SCHEMATIC and**

**PARTS LIST**



MODEL 420

**CHASSIS SERIAL NUMBERS  
FROM 20001 TO 29999 INCLUSIVE**

PRICE: \$1.00

**FISHER RADIO CORPORATION · NEW YORK**  
[www.fisherconsoles.com](http://www.fisherconsoles.com)

**CHASSIS SERIAL NUMBERS  
FROM 20001 TO 29999 INCLUSIVE**

**THE FISHER 420**



# PARTS DESCRIPTION LIST · CHASSIS 510

SERIAL NUMBERS 20001 — 29999 INCLUSIVE

## CAPACITORS

20% tolerance for all fixed capacitors, unless otherwise noted or marked GMV (guaranteed minimum value.)

Symbol	Description	Order No.
C1, C2	Ceramic Disc, .02uf +80/-20%, 600V	C50071-3
C3	Not Used	—
C4	Molded, 2200uuf 10%, 400V	C68P222K4
C5	Molded, .01uf 10%, 250V	C50074-25
C6	Ceramic, 220uuf 10%, 500V	CC21GP221K5
C7	Molded, 3300uuf 10%, 250V	C50074-23
C8	Not Used	—
C9	Ceramic, 1000uuf 10%, 1000V	C50072-3
C10	Molded, .01uf, 600V	C50074-25
C11	Ceramic, 330uuf 10%, 500V	CC21GP331K5
C12	Molded, 2200uuf 10%, 400V	C68P222K4
C13	Molded, .01uf 10%, 250V	C50074-25
C14	Ceramic, 220uuf 10%, 500V	CC21GP221K5
C15	Molded, 3300uuf 10%, 500V	C50074-23
C16	Ceramic, 1000uuf 10%, 1000V	C50072-3
C17	Molded, .01uf 10%, 250V	C50074-25
C18	Ceramic, 330uuf 10%, 500V	CC21GP331K5
C19	Ceramic, 47uuf 10%, 500V	CC21GP470K5
C20	Electrolytic, 20uf, 350V	C692-131
C21	Ceramic, 47uuf 10%, 500V	CC21GP470K5
C22	Ceramic, 68uuf 10%, 500V	CC21GP680K5
C23	Electrolytic, 25uf, 6V	C556-137
C24	Ceramic, 68uuf 10%, 500V	CC21GP680K5
C25, 26	Molded, .022uf 10%, 500V	C50074-36
C27	Electrolytic, three sections C27-A: 40uf, 450V C27-B: 40uf, 350V C27-C: 40uf, 350V	C677-120
C28	Ceramic, 150uuf 10%, 500V	CC21GP151K5
C29	Ceramic, 100uuf N1500 10%, 1000V	C50070-6
C30	Ceramic, 47uuf 10%, 500V	CC21GP470K5

C31, 32 Molded, .022uf 10%, 500V  
C33 Electrolytic, 100uf, 25V

C50074-36  
C643-145

## RESISTORS AND POTENTIOMETERS

In ohms, 10% tolerance, 1/2 watt, unless otherwise noted.  
K = kilohm, M = megohm.

Symbol	Description	Order No.
R1	Composition, 1K	RC20BF102K
R2	Composition, 1.5M, in chassis serial numbers 10001-19999	RC20BF155K
	Composition, 470K, in chassis serial numbers 20001-29999	RC20BF474K
R3, R4	Composition, 100K	RC20BF104K
R5	Composition, 560	RC20BF561K
R6	Composition, 4700	RC20BF472K
R7	Potentiometer, dual, 1M, bass	R692-114
R8	Composition, 68K	RC20BF683K
R9	Composition, 1K	RC20BF102K
R10	Potentiometer, dual, .500K, volume, with S2	R692-113
R11	Composition, 1.5M, in chassis serial numbers 10001-19999	RC20BF155K
	Composition, 470K, in chassis serial numbers 20001-29999	RC20BF474K
R12	Composition, 220K	RC20BF224K
R13	Composition, 33K	RC20BF333K
R14	Composition, 560	RC20BF561K
R15	Composition, 4700	RC20BF472K
R16	Potentiometer, dual, 1M, treble	R692-114
R17	Composition, 18K	RC20BF183K
R18	Composition, 68K	RC20BF683K
R19	Composition, 33K	RC20BF333K
R20	Composition, 220K	RC20BF224K
R21	Composition, 18K	RC20BF183K
R22	Composition, 820K	RC20BF824K
R23	Composition, 6.8M	RC20BF685K
R24	Composition, 100K	RC20BF104K
R25, 26	Composition, 680	RC20BF681K
R27	Composition, 6.8M	RC20BF685K

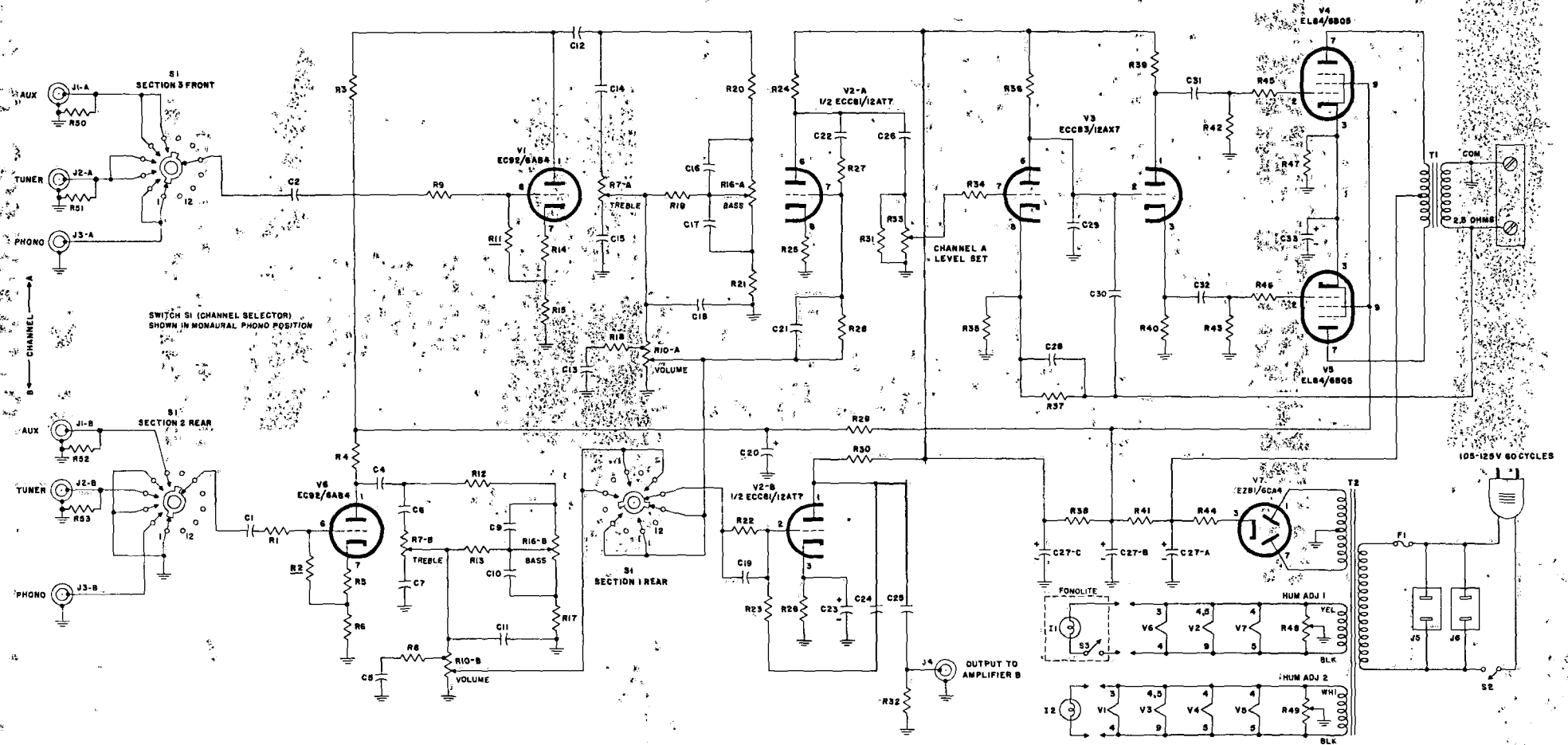
R28	Composition, 820K	RC20BF824K
R29	Composition, 10K	RC20BF103K
R30	Composition, 100K	RC20BF104K
R31, 32	Composition, 39K	RC20BF393K
R33	Potentiometer, 250K, channel A level set	R50103-1
R34	Composition, 12K	RC20BF123K
R35	Composition, 1500	RC20BF152K
R36	Composition, 680K	RC20BF684K
R37	Composition, 12K	RC20BF123K
R38	Composition, 6800	RC20BF682K
R39, 40	Composition, 100K	RC20BF104K
R41	Wirewound, 4,000; 5W	R692-130
R42, 43	Composition, 820K	RC20BF824K
R44	Wirewound, 130, 5W	R644-147
R45	Composition, 220K	RC20BF222K
R46	Composition, 33K	RC20BF333K
R47	Wirewound, 140, 5%, 5W	R677-119
R48, 49	Potentiometer, 500, hum adjust	R516-128
R50, 51	Composition, 100K	RC20BF104K
	52, 53	

## MISCELLANEOUS

Symbol	Description	Order No.
F1	Fuse, slo-blo, 1 ampere	F692-132
I-1	Lamp, Fonolite	I-50084
I-2	Lamp, pilot	I-50009-1
J1, 2, 3	Jack, dual	J50081-1
J4	Jack, single	J3143
J5, J6	Receptacle, auxiliary AC	J546-129
S1	Switch, channel selector	S692-112
S2	Switch, AC on-off	Part of R10
S3	Switch, Fonolite assembly	X50085
T1	Transformer, output, 2.5 ohms	T677-116
T2	Transformer, power	T692-115
—	Knob, control	50052-5

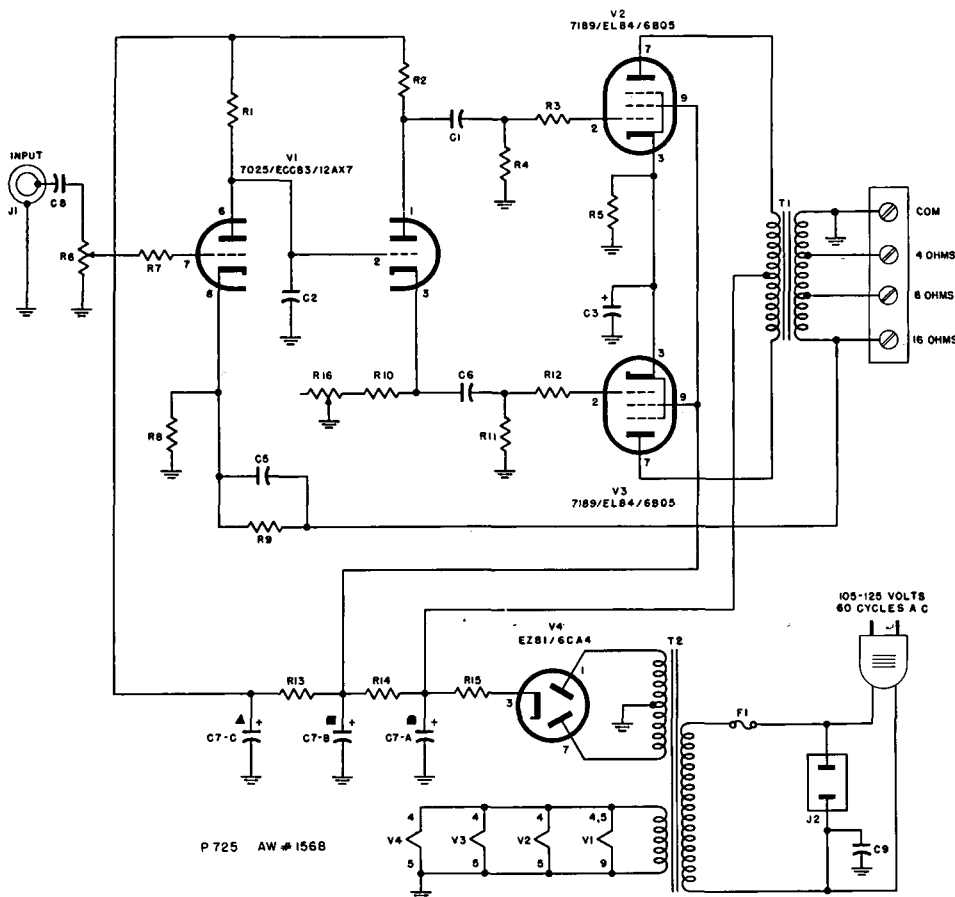
# SCHEMATIC DIAGRAM · CHASSIS 510

SERIAL NUMBERS 20001 — 29999 INCLUSIVE



# SCHEMATIC DIAGRAM · PARTS LIST · CHASSIS 30-A

## SERIAL NUMBERS 30001-39999 INCLUSIVE



### CAPACITORS

20% tolerance for all fixed capacitors, unless otherwise noted or marked GMV (guaranteed minimum value.)

Symbol	Description	Order No.
C1	Molded, .047uf 10% 500V	C50074-37
C2	Ceramic, 220uf 10% 500V	CC21GP221K5
C3	Electrolytic, 100uf 25V	C643-145
C4	Not Used	
C5	Ceramic, 47uf 10% 500V	CC21GP470K5
C6	Molded, .047uf 10% 500V	C50074-37
C7	Electrolytic, three section: C7-A: 40uf, 450V C7-B: 40uf, 350V C7-C: 40uf, 350V	C677-120
C8	Molded, .022uf 10% 250V	C50074-26
C9	Molded, .01uf 600V	C2747

### RESISTORS AND POTENTIOMETERS

In ohms, 10% tolerance, 1/2 watt, unless otherwise noted. K = kilohm, M = megohm.

Symbol	Description	Order No.
R1	Composition, 390K	RC20BF394K
R2	Composition, 82K	RC20BF823K
R3	Composition, 2.2K	RC20BF222K
R4	Composition, 820K	RC20BF824K
R5	Wirewound, 140, 5% 5W	R677-119
R6	Potentiometer, 500K 20%	R520-139
R7	Composition, 10K	RC20BF103K
R8	Composition, 1.5K	RC20BF152K
R9	Composition, 33K	RC20BF333K
R10	Composition, 56K	RC20BF563K
R11	Composition, 820K	RC20BF824K
R12	Composition, 33K	RC20BF333K
R13	Composition, 22K	RC20BF223K
R14	Wirewound, 7000, 7W	R563-200
R15	Wirewound, 100, 5W	R592-185
R16	Potentiometer, 50K 20%	R50103-3

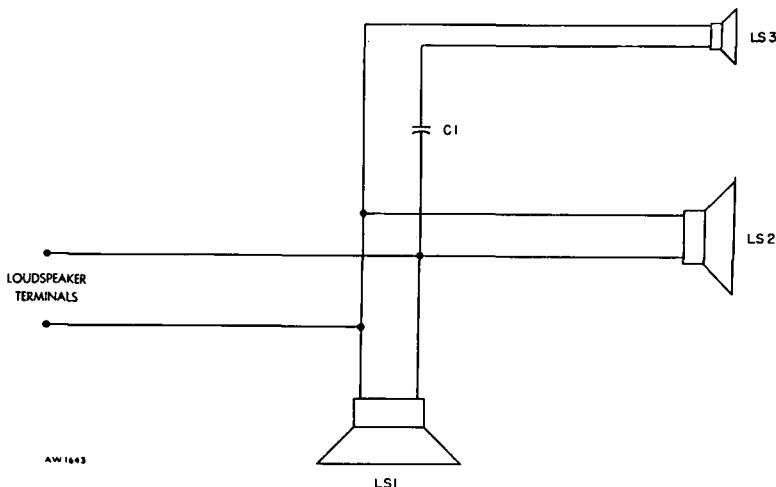
### TRANSFORMERS

Symbol	Description	Order No.
T1	Transformer, Output	T725-116
T2	Transformer, Power	T725-115

### MISCELLANEOUS

Symbol	Description	Order No.
F1	Fuse, 1 Ampere, SLO-BLO	F692-132

## SCHEMATIC DIAGRAM SPEAKER SYSTEMS



## PARTS LIST SPEAKER SYSTEMS

Symbol	Description	Part No.
—	Loudspeaker, 10-inch	LS769-103
—	Loudspeaker, 8-inch	LS634-107
—	Loudspeaker, tweeter	LS769-104
—	Capacitor, electrolytic, 5uf, 50V	C769-105

Note: Schematic diagram and parts list apply to both speaker systems, which contain the same components and are wired identically.

## RECORD CHANGER

Symbol	Description	Part No.
—	Record Changer, less cartridge	RC558-127
—	Cartridge, phono, stereo	G50111
—	Spindle, 45-rpm	A50127

**FISHER RADIO CORPORATION · NEW YORK**