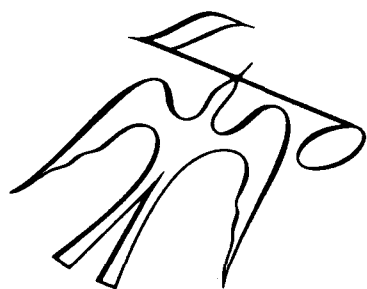


THE FISHER



AMBASSADOR III

SCHEMATIC and

PARTS LIST



MODEL 920

Consists of R-31-S, PR-66
and 30-A Chassis

PRICE: \$1.00

FISHER RADIO CORPORATION · NEW YORK
(c) www.fisherconsoles.com

THE FISHER 920

PARTS DESCRIPTION LIST • R-31-S

CAPACITORS

10% tolerance for all fixed capacitors, unless otherwise noted or marked GMV (guaranteed minimum value.)

Symbol	Description	Order No.
C1	Ceramic, 2uuf NPO, 500V	CC20CH020D5
C2	Ceramic, 5uuf NPO, 500V	CC20CH050K5
C3	Variable, FM-AM Tuning	C643-117
C4	Ceramic, 220uuf, 500V	CC21GP221K5
C5	Ceramic, .02uf +80-20%, 600V	C50071-3
C6,7	Ceramic, 100uuf GMV N1500, 1000V	C50070-5
C8	Ceramic, 8uuf ± .25uuf N1400, 500V	CC20VK080K5
C9, 10,		
11	Ceramic, .005uf 20%, 500V	C50089-1
C12	Ceramic, 180uuf, 500V	CC21GP181K5
C13	Ceramic, 24uuf N150, 500V	CC20PJ240K5
C14, 15	Ceramic, .005uf 20%, 500V	C50089-1
C16	Ceramic, 47uuf N750, 500V	CC20UJ470K5
C17	Molded, .047uf, 250V	C50074-27
C18, 19	Ceramic, .005uf 20%, 500V	C50089-1
C20	Ceramic, 220uuf, 500V	CC21GP221K5
C21	Ceramic, 330uuf, 1000V	C50072-1
C22	Ceramic, .02uf +80-20%, 600V	C50071-3
C23, 24	Ceramic, 330uuf, 1000V	C50072-1
C25	Electrolytic, 8uf, 50V	C629-138
C26, 27	Ceramic, 24uuf N150, 500V	CC20PJ240K5
C28	Molded, .022uf, 500V	C50074-36
C29	Electrolytic, 100uf, 25V	C643-145
C30	Molded, .022uf, 500V	C50074-36
C31	Ceramic, 47uuf N750, 500V	CC20UJ470K5
C32, 33	Molded, .0047uf, 500V	C50074-35
C34	Ceramic, 1000uuf, 1000V	C50072-3
C35	Ceramic, 47uuf N750, 500V	CC20UJ470K5
C36	Molded, .1uf, 250V	C50074-28
C37	Electrolytic, 10uf, 350V	C644-146
C38	Ceramic, Feedthru, 1000uuf, GMV	C592-187
C39	Ceramic, 24uuf N150, 500V	CC20PJ240K5
C40	Ceramic, 47uuf N750, 500V	CC20UJ470K5
C41	Ceramic, .005uf 20%, 500V	C50089-1
C42	Ceramic, 100uuf N1500, 1000V	C50070-6
C43	Ceramic, 1000uuf, 1000V	C50072-3
C44	Ceramic, Feedthru, 1000uuf GMV	C592-187
C45	Ceramic, 68uuf N750, 500V	CC20UJ680K5
C46	Ceramic, 10uuf N330, 500V	CC20SH100D5
C47	Ceramic, Trimmer, 1-8uuf NPO	C643-153
C48, 49	Ceramic, 100uuf GMV N1500, 1000V	C50070-5
C50	Ceramic, Feedthru, 1000uuf GMV	C592-187
C51	Ceramic, 18uuf NPO, 500V	CC20CH180K5
C52, 53	Ceramic, 100uuf GMV N1500, 1000V	C50070-5
C54	Ceramic, Feedthru, 1000uuf GMV	C592-187
C55	Ceramic, 5uuf NPO, 500V	CC20CH050K5
C56	Ceramic, Trimmer, 1-8uuf NPO	C643-153
C57	Ceramic, 1000uuf, 1000V	C50072-3
C58	Molded, .0068uf, 200V	C68P682K2
C59	Molded, .0047uf, 500V	C50074-35
C60	Ceramic, 100uuf N1500, 1000V	C50070-6
C61	Molded, .1uf, 250V	C50074-28
C62	Molded, .0093uf, 200V	C68P392K2
C63	Ceramic, 1000uuf, 1000V	C50072-3
C64	Molded, .01uf, 250V	C50074-25
C65	Electrolytic, 10uf, 350V	C644-146
C66	Molded, .0047uf, 500V	C50074-35
C67	Molded, .0068uf, 200V	C68P682K2
C68	Electrolytic, four section	C643-138
	A: 40uf, 450	
	B: 40uf, 350V	
	C: 40uf, 350V	
	D: 20uf, 300V	
C69	Ceramic, 100uuf N1500, 1000V	C50070-6
C70	Molded, .1uf, 250V	C50074-28
C71	Molded, .0039uf, 200V	C68P392K2
C72	Ceramic, 1000uuf, 1000V	C50072-3
C73	Molded, .01uf, 250V	C50074-25

C74	Ceramic, Feedthru, 1000uuf GMV
C75	Ceramic, .005uf 20%, 500V
C76	Molded, .01uf 20%, 600V
C77	Ceramic, 820uuf 5%, 500V
C78	Ceramic, .05uf +80-20%, 100V
C79	Ceramic, .02uf +80-20%, 500V
C80	Molded, .1uf, 250V

C592-187
C50089-1
C2747
CC21GP821J5
C50073-2
C50089-4
C50074-28

RESISTORS AND POTENTIOMETERS

In ohms, 10% tolerance, 1/2 watt, unless otherwise noted. K = kilohm, M = megohm.

Symbol	Description	Order No.
R1	Composition, 820K	RC20BF824K
R2	Composition, 33K	RC20BF333K
R3	Composition, 33K, 1W	RC30BF333K
R4	Composition, 82K, 1W	RC30BF823K
R5	Composition, 100	RC20BF101K
R6	Composition, 82K	RC20BF823K
R7	Composition, 1K	RC20BF102K
R8	Composition, 100	RC20BF101K
R9	Composition, 47K, 1W	RC30BF473K
R10	Composition, 1K	RC20BF102K
R11	Composition, 2.2M	RC20BF225K
R12	Composition, 150K	RC20BF154K
R13	Composition, 47K	RC20BF473K
R14	Composition, 1.5K	RC20BF152K
R15	Composition, 100K	RC20BF104K
R16	Composition, 82K	RC20BF823K
R17	Composition, 1K	RC20BF102K
R18	Composition, 270	RC20BF271K
R19	Composition, 68K	RC20BF683K
R20	Composition, 1K	RC20BF102K
R21	Composition, 680K	RC20BF684K
R22	Composition, 15K	RC20BF153K
R23	Potentiometer, 250K 20%	R50103-1
R24	Composition, 1.5K	RC20BF152K
R25	Composition, 27K	RC20BF273K
R26	Composition, 100K	RC20BF104K
R27	Composition, 2.2K	RC20BF222K
R28	Composition, 820K	RC20BF824K
R29	Wirewound, 130 5% 5W	R644-147
R30	Composition, 33K	RC20BF333K
R31	Composition, 100K	RC20BF104K
R32	Composition, 820K	RC20BF824K
R33	Composition, 150K	RC20BF154K
R34	Composition, 100K	RC20BF104K
R35	Composition, 470K	RC20BF474K
R36	Composition, 10M	RC20BF106K
R37	Composition, 220K	RC20BF224K
R38	Composition, 680K	RC20BF684K
R39	Composition, 15K	RC20BF153K
R40	Potentiometer, 500K, Dual Vol.	R644-149
R41	Composition, 1M	RC20BF105K
R42	Composition, 10M	RC20BF106K
R43	Composition, 100K	RC20BF104K
R44	Composition, 1K	RC20BF102K
R45	Composition, 1M	RC20BF105K
R46	Composition, 3.3K, 2W	RC40BF332K
R47	Composition, 4.7K, 2W	RC40BF472K
R48	Composition, 470K	RC20BF474K
R49	Composition, 1K	RC20BF102K
R50	Composition, 10	RC20BF100K
R51	Composition, 1.5K	RC20BF152K
R52	Composition, 100K	RC20BF104K
R53, 54	Composition, 470K	RC20BF474K
R55	Composition, 1K	RC20BF102K
R56	Composition, 10M	RC20BF106K
R57	Composition, 33K	RC20BF333K
R58	Composition, 68K	RC20BF683K
R59, 60	Composition, 390K	RC20BF394K
R61	Composition, 1K	RC20BF102K
R62	Composition, 4.7K	RC20BF472K

R63	Potentiometer, 1M, Dual Treble	R644-139
R64	Composition, 47K	RC20BF473K
R65	Composition, 220K	RC20BF224K
R66	Potentiometer, 1M, Dual Base	R644-139
R67	Wirewound, 1.8K, 7W	R643-144
R68	Wirewound, 600, 5W	R643-157
R69, 70	Wirewound, 140, 5W	R643-143
R71	Composition, 22K	RC20BF223K
R72	Composition, 15K	RC20BF153K
R73	Composition, 100K	RC20BF104K
R74, 75	Composition, 390K	RC20BF394K
R76	Composition, 1K	RC20BF102K
R77	Composition, 4.7K	RC20BF472K
R78	Composition, 47K	RC20BF473K
R79	Composition, 220K	RC20BF224K
R80	Composition, 22K	RC20BF223K
R81, 82	Potentiometer, Wirewound, 500	R516-128
R83	Composition, 270	RC20BF271K
R84	Composition, 22K	RC20BF223K
R85	Potentiometer, 500K, Balance	Part of R644-149
R86	Composition, 470K	RC20BF474K
R87	Composition, 22K	RC20BF223K
R88	Composition, 150K	RC20BF154K
R89, 90		
91, 92	Composition, 100K	RC20BF104K
R93	Composition, 390K	RC20BF394K
R94	Composition, 100K	RC20BF104K
R95	Composition, 1K	RC20BF102K
R96	Composition, 680K	RC20BF684K

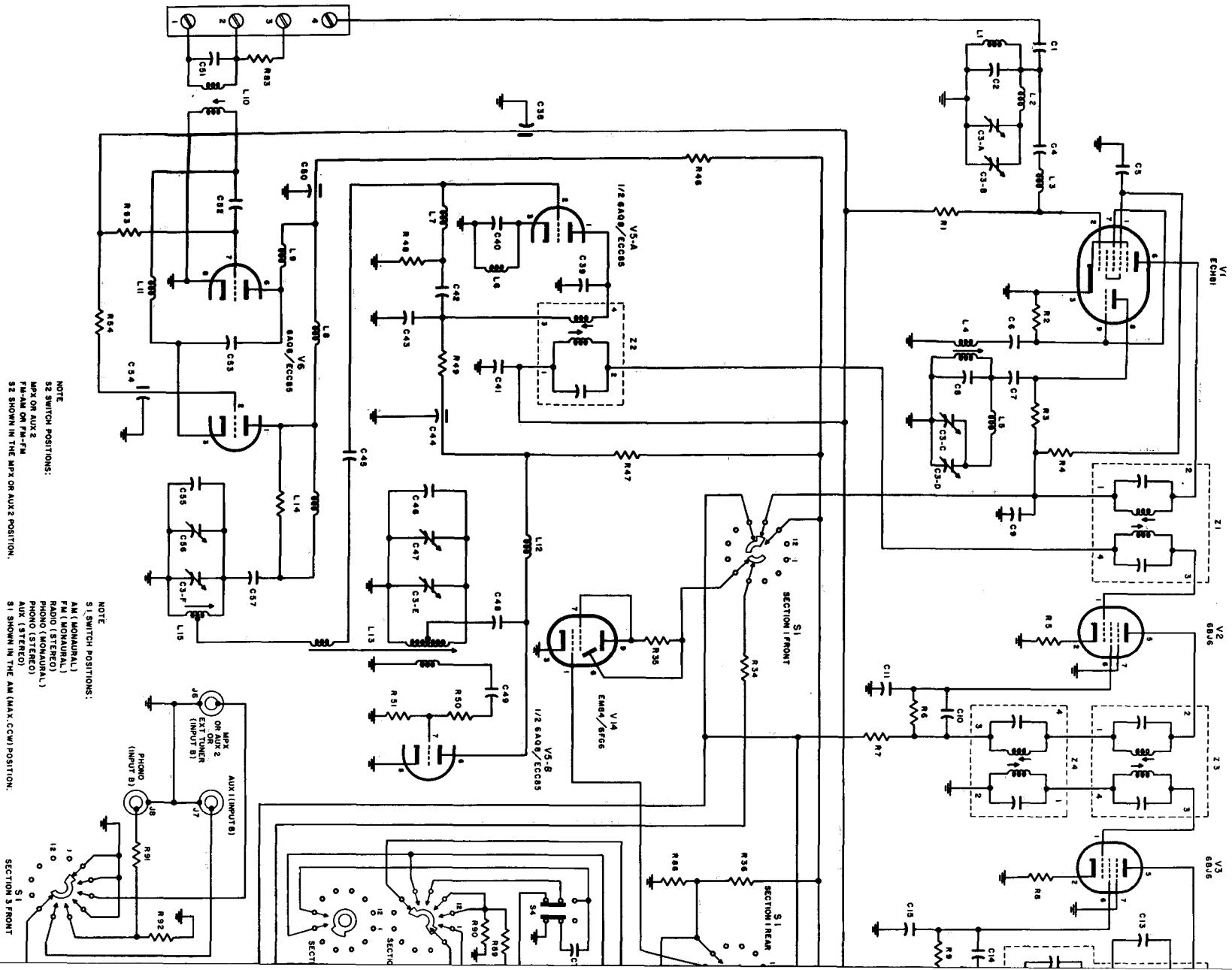
COILS, TRANSFORMERS, CHOKES

Symbol	Description	Order No.
L1	Loopstick, AM Antenna	L644-121
L2	Choke, RF 3.3 Micro Henries	L50066-8
L3	Choke, RF 1 Micro Henry	L50066-2
L4	Coil, AM Oscillator	L643-140
L5	Choke, RF 1 Micro Henry	L50066-2
L6	Choke, RF .68 Micro Henry	L50066-1
L7, 8	Choke, RF 1 Micro Henry	L50066-2
L9	Choke, RF .68 Micro Henry	L50066-1
L10	Coil, FM Antenna	A5643-148
L11, 12	Choke, RF 1 Micro Henry	L50066-2
L13	Coil, FM Oscillator	L643-151
L14	Choke, RF	L629-180
L15	Coil, FM-RF	L643-150
L16	Coil, AM 10kc Filter	L644-120
L17	Choke, Filament	L520-156
L18, 19		
20, 21	Choke, Ferrite Bead	L592-189
T1	Transformer, Output	T643-116
T2	Transformer, Power	T644-124
Z1	Transformer, AM-IF	ZZ2984
Z2	Transformer, FM-IF	ZZ630-114
Z3	Transformer, FM-IF	ZZ2987
Z4	Transformer, AM-IF	ZZ2984
Z5	Coil, FM-AM IF	ZZ643-149
Z6	Transformer, FM Detector	ZZ592-170

MISCELLANEOUS

Symbol	Description	Order No.
CR1, 2	Crystal Diodes, Matched Pair, FM Detector	V-1N542
F1	Fuse, 2 Ampere, Slo-Blo	F643-154
11	Lamp, Phono Compartment (Note: Not used on some Models)	150084
12, 3	Lamp, Dial Edge Lighting	150082
S1	Switch, Channel Selector	S644-144
S2	Switch in Phono Compartment Light Socket (Note: Not used on some Models)	X50085
S3	Switch, AC Power	Part of R40,R85
S4	Switch, Slide	S505-117

SCHEMATIC DIAGRAM • R-31-S



PARTS DESCRIPTION LIST • PR-66

CAPACITORS

GMV = guaranteed minimum value.

Symbol	Description	Order No.
C1	Ceramic, 100 uuf GMV, N1500, 1000V	C-50070-5
C2, 3	Molded, .022 uf, 10%, 250V	C-50074-26
C4, 5	Ceramic, 2200 uuf, 10%, 1000V	C-50072-5
C6, 8	Paper tubular, .047 uf, 10%, 200V	C68P473K2
C7, 9	Ceramic disc, .01 uf, 20%, 500V	C-50089-3
C10, 11	Ceramic, 3300 uuf, 10%, 1000V	C-50072-11
C12	Electrolytic, four-section: C12: 20 uf, 300V C14: 20 uf, 300V C16: 20 uf, 350V C17: 20 uf, 350V	C-656-126
C13, 15	Ceramic, 680 uuf, 10%, 1000V	C-50072-2
C14	---	Part of C12
C16, 17	---	Part of C12

RESISTORS

In ohms, 10% tolerance, 1/2 watt, unless otherwise noted. K = Kilohm. M = Megohm.

Symbol	Description	Order No.
R1, 2	Composition, 47K	RC20BF473K
R3, 4	Composition, 10K	RC20BF103K
R5, 7	Composition, 220K, 1W	RC30BF224K
R6, 8	Composition, 1K	RC20BF102K

Symbol	Description	Order No.
R9, 10	Composition, 220K	RC20BF224K
R11, 12	Composition, 10M	RC20BF106K
R13, 15	Composition, 220K	RC20BF224K
R14, 16	Composition, 4.7M,	RC20BF475K
R17, 19	Composition, 22K	RC20BF223K
R18, 20	Composition, 120K	RC20BF124K
R21, 22	Composition, 120K	RC20BF124K
R23-25	Composition, 4700	RC20BF472K
R26	Potentiometer, wirewound, 500, hum	R-516-128
R27, 28	Composition, 10 ohms	RC20BF100K

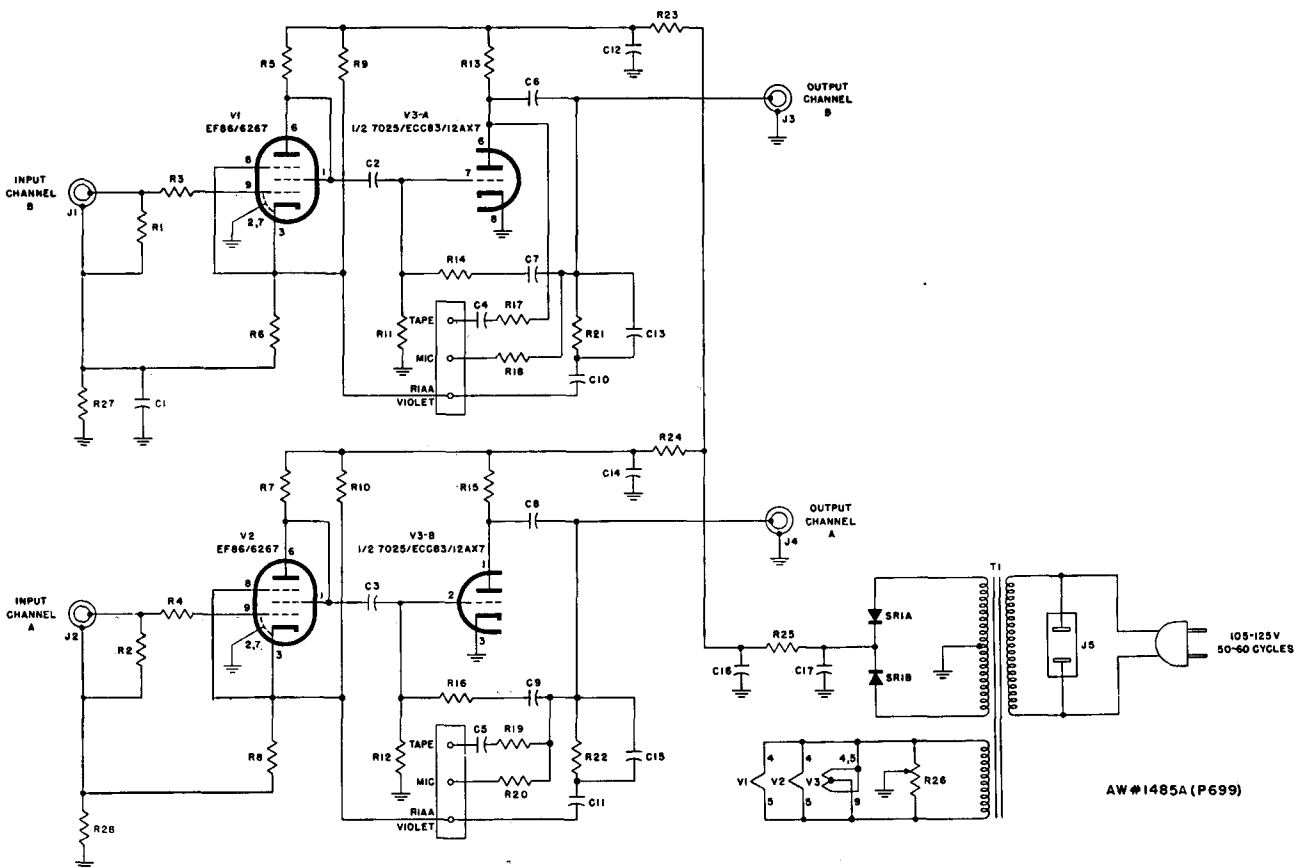
MISCELLANEOUS

Symbol	Description	Order No.
J1, 2	Dual input jack assembly	J-50081-1
J3, 4	Dual output jack assembly	J-50081-1
J5	Receptacle, auxiliary AC	J-546-129
SR1	Selenium rectifier, dual	SR-3283
T1	Transformer, power	T-699-115

MECHANICAL PARTS

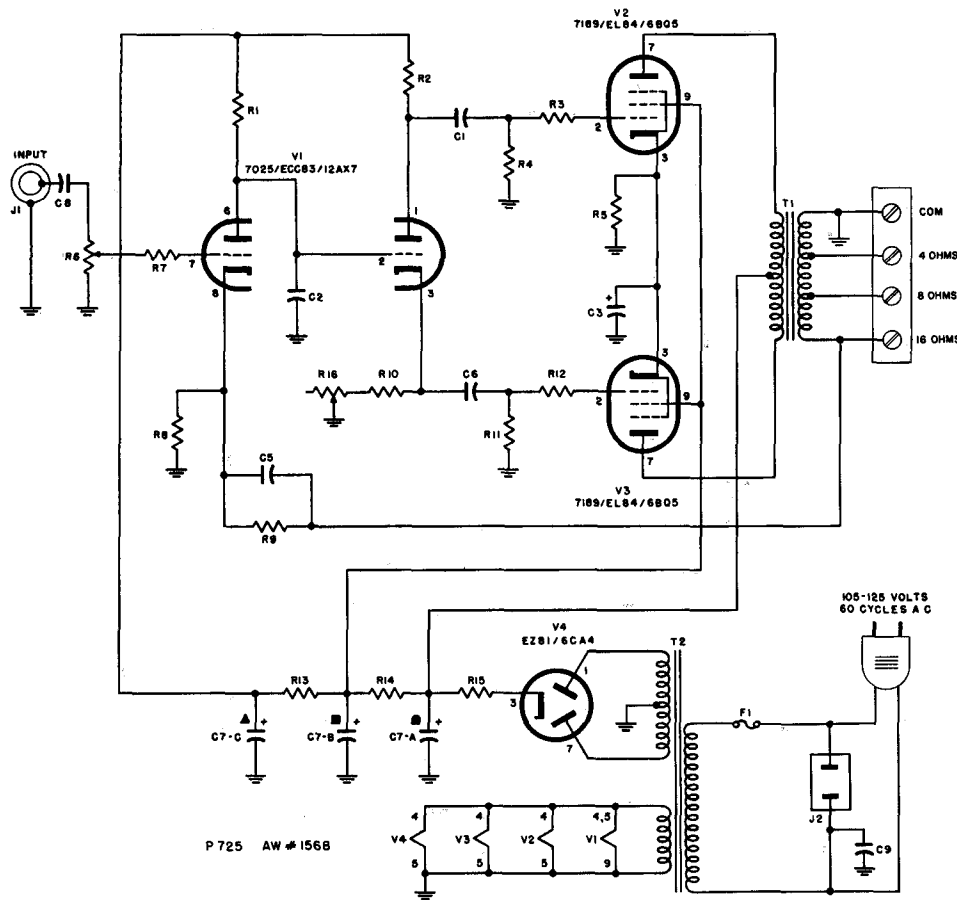
Symbol	Description	Order No.
---	Tube shield	E-3286
---	Rubber foot	H-50079

SCHEMATIC DIAGRAM • PR-66



AW #1485A (P699)

SCHEMATIC DIAGRAM • PARTS DESCRIPTION LIST • 30-A



CAPACITORS

20% tolerance for all fixed capacitors, unless otherwise noted or marked GMV (guaranteed minimum value.)

Symbol	Description	Order No.
C1	Molded, .047uf 10% 500V	C50074-37
C2	Ceramic, 220uf 10% 500V	CC21GP221K5
C3	Electrolytic, 100uf 25V	C643-145
C4	Not Used	
C5	Ceramic, 47uf 10% 500V	CC21GP470K5
C6	Molded, .047uf 10% 500V	C50074-37
C7	Electrolytic, three section: C7-A: 40uf, 450V C7-B: 40uf, 350V C7-C: 40uf, 350V	C677-120
C8	Molded, .022uf 10% 250V	C50074-26
C9	Molded, .01uf 600V	C2747

RESISTORS AND POTENTIOMETERS

In ohms, 10% tolerance, 1/2 watt, unless otherwise noted. K = kilohm, M = megohm.

Symbol	Description	Order No.
R1	Composition, 390K	RC20BF394K
R2	Composition, 82K	RC20BF823K
R3	Composition, 2.2K	RC20BF222K
R4	Composition, 820K	RC20BF824K
R5	Wirewound, 140, 5% 5W	R677-119
R6	Potentiometer, 500K 20%	R520-139
R7	Composition, 10K	RC20BF103K
R8	Composition, 1.5K	RC20BF152K
R9	Composition, 33K	RC20BF333K
R10	Composition, 56K	RC20BF563K
R11	Composition, 820K	RC20BF824K
R12	Composition, 33K	RC20BF333K
R13	Composition, 22K	RC20BF223K
R14	Wirewound, 7000, 7W	R563-200
R15	Wirewound, 100, 5W	R592-185
R16	Potentiometer, 50K 20%	R50103-3

TRANSFORMERS

Symbol	Description	Order No.
T1	Transformer, Output	T725-116
T2	Transformer, Power	T725-115

MISCELLANEOUS

Symbol	Description	Order No.
F1	Fuse, 1 Ampere, SLO-BLO	F692-132

MISCELLANEOUS PARTS

AMBASSADOR III

Description	Order No.
Speaker, Woofer	LS716-105
Speaker, Mid-Range	LS50123
Speaker, Tweeter	LS547-124
Record Changer	RC547-121
Resistor, Wirewound, 15 ohms, 5W	R719-106
Capacitor 2uf 50V	C547-118
Knob, Balance	E50152-6
Knob, Volume	E50052-8
All other Knobs	E50052-2
Cartridge, Magnetic	G50120/G50184



FISHER RADIO CORPORATION • NEW YORK