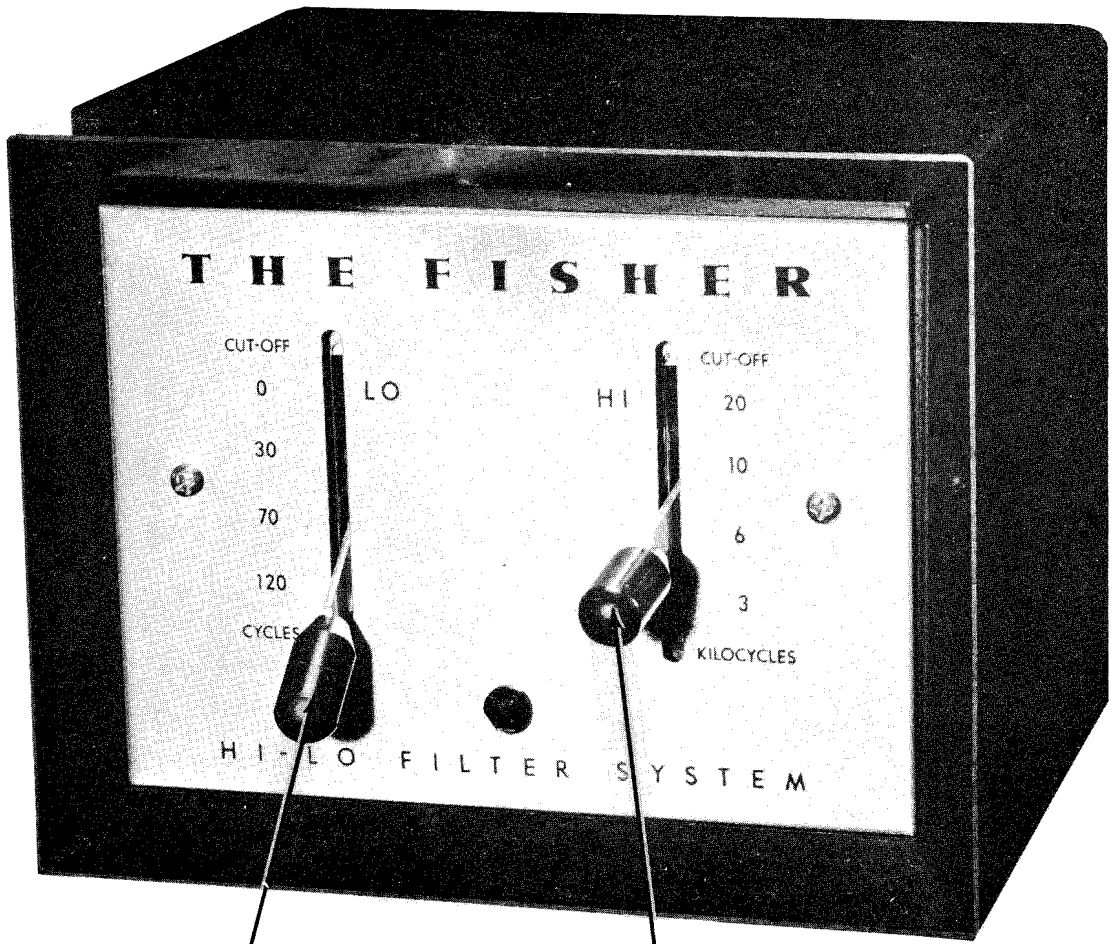




FISHER
MODEL 50-F



FISHER
MODEL 50-F

**LO
FREQ.
SWITCH**

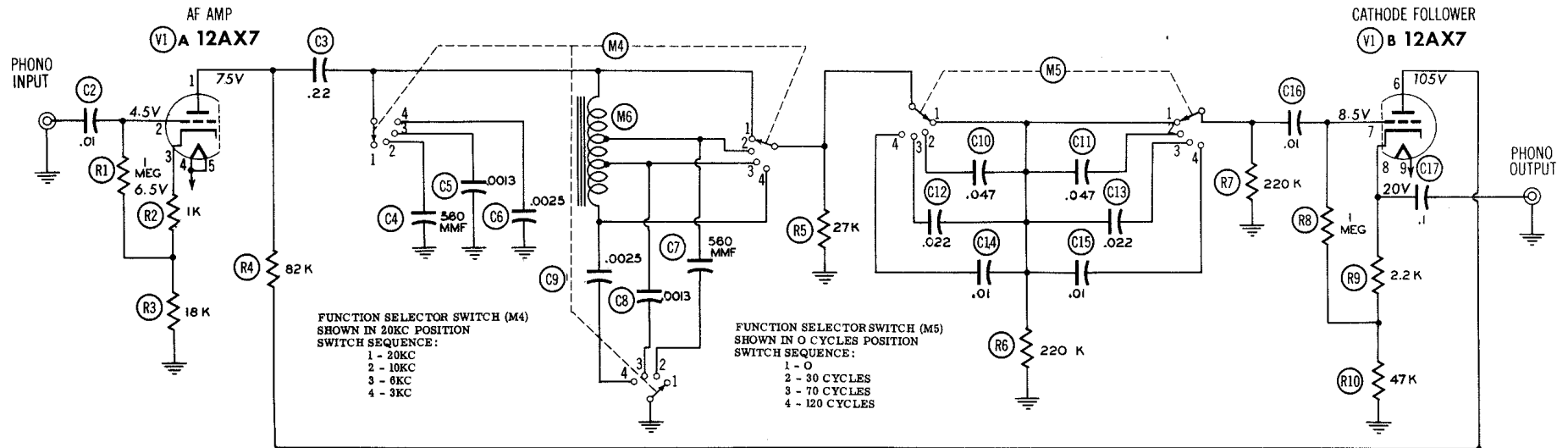
**HI
FREQ.
SWITCH**

TRADE NAME	Fisher Model 50-F		
MANUFACTURER	Fisher Radio Corp., 21-21 44th Drive, Long Island City 1, N. Y.		
TYPE SET	AC Operated Hi-Lo Audio Filter System		
TUBES (ONE)	Type 12AX7 AF Amp. -Cathode Follower		
POWER SUPPLY	105-125 Volts AC-50/60 Cycles	RATING	.05 Amp. @ 117 Volts AC

HOWARD W. SAMS & CO., INC. • Indianapolis 5, Indiana

"The listing of any available replacement part herein does not constitute in any case a recommendation, warranty or guaranty by Howard W. Sams & Co., Inc., as to the quality and suitability of such replacement part. The numbers of these parts have been compiled from information furnished to Howard W. Sams & Co., Inc., by the manufacturers of the particular type of replacement part listed."
"Reproduction or use, without express permission, of editorial or pictorial con-

tent, in any manner, is prohibited. No patent liability is assumed with respect to the use of the information contained herein. Copyright 1955 by Howard W. Sams & Co., Inc., Indianapolis 5, Indiana, U. S. of America. Copyright under International Copyright Union. All rights reserved under Inter-American Copyright Union (1910) by Howard W. Sams & Co., Inc." Printed in U. S. of America



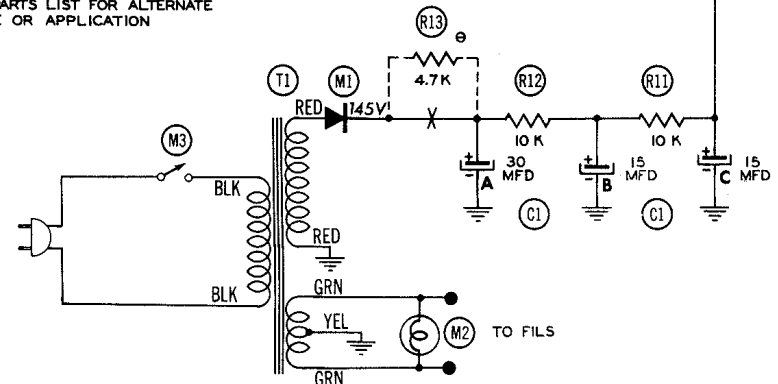
RESISTANCE READINGS

Item	Tube	Pin 1	Pin 2	Pin 3	Pin 4	Pin 5	Pin 6	Pin 7	Pin 8	Pin 9
V 1	12AX7	†107KΩ	1Meg	19KΩ	.1Ω	.1Ω	†25KΩ	1 Meg	50KΩ	.1Ω

† MEASURED FROM OUTPUT OF M1.

- DC voltage measurements taken with vacuum tube voltmeter; AC voltages measured at 1000 ohms per volt.
- Socket connections are shown as bottom views.
- Measured values are from socket pin to common negative.
- Line voltage maintained at 117 volts for voltage readings.
- Nominal tolerance on component values makes possible a variation of ± 1% in voltage and resistance readings.

⊗ SEE PARTS LIST FOR ALTERNATE VALUE OR APPLICATION



PARTS LIST AND DESCRIPTIONS

TUBES (SYLVANIA, GENERAL ELECTRIC, WESTINGHOUSE)

FISHER
MODEL 50-F

ITEM No.	USE	REPLACEMENT DATA			NOTES
		FISHER PART No.	STANDARD REPLACEMENT	RETMA BASE TYPE	
V1	AF Amp-Cathode Follow	12AX7	12AX7	9A	

CAPACITORS

Capacity values given in the rating column are in mfd. for Electrolytic and Paper Capacitors, and in mmfd. for Mica and Ceramic Capacitors.

ITEM No.	RATING		REPLACEMENT DATA						NOTES	
	CAP.	VOLT	FISHER PART No.	AEROVOX PART No.	CENTRALAB PART No.	CORNELL-DUBILIER PART No.	ERIE PART No.	MALLORY PART No.		SPRAGUE PART No.
C1A	.30	150	C-515-122	AFH3-16		C007		FP311.4	TUL-3534	
B	.15	150								
C	.15	150								
C2	.01	200	C-68P103M2	P288-01	D6-103	PJ2S1	GP2-333-103	PT411	2TM-S1	
C3	.22	200	C-68P224V2							
C4	560	200	C-3336	SI560	D6-561		GP2K-561	UC-5356	5GA-T56	
C5	.0013	200	C-68P132K2							
C6	.0025	200	C68P252K2							
C7	560	200	C-3336	SI560	D6-561		GP2K-561	UC-5356	5GA-T56	
C8	.0013	200	C-68P132K2							
C9	.0025	200	C-68P252K2							
C10	.047	200	C-68P473K2							
C11	.047	200	C-68P473K2							
C12	.022	200	C-68P223K2							
C13	.022	200	C-68P223K2							
C14	.01	200	C-68P103K2							
C15	.01	200	C-68P103K2							
C16	.01	200	C-68P103M2	P288-01	D6-403	PJ2S1	GP2-333-103	PT411	2TM-S1	
C17	.1	200	C-68P104M2	P288-1	DF-104	PJ2P1		PT401	2TM-P1	

RESISTORS

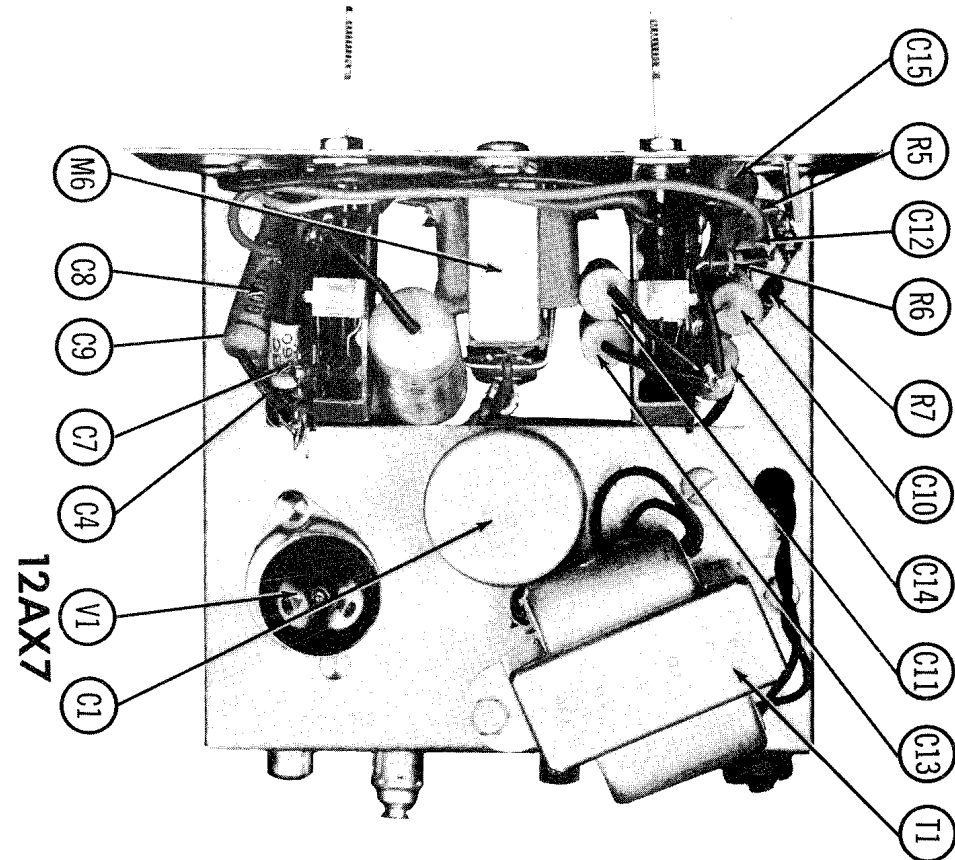
ITEM No.	RATING		REPLACEMENT DATA		NOTES	ITEM No.	RATING		REPLACEMENT DATA		NOTES
	OHMS	WATT	FISHER PART No.	IRC PART No.			OHMS	WATT	FISHER PART No.	IRC PART No.	
R1	1Meg		RC-20BF105K	BTS-1Meg		R7	220KΩ		RC-20BF224K	BTS-220K	
R2	1000Ω		RC-20BF102K	BTS-1000		R8	1Meg		RC-20BF105K	BTS-1Meg	
R3	18KΩ		RC-20BF183K	BTS-18K		R9	2200Ω		RC-20BF222K	BTS-2200	
R4	82KΩ		RC-20BF823K	BTS-82K		R10	47KΩ		RC-20BF473K	BTS-47K	
R5	27KΩ		RC-20BF273K	BTS-27K		R11	10KΩ		RC-20BF103K	BTS-10K	
R6	220KΩ		RC-20BF224K	BTS-220K		R12	10KΩ		RC-20BF103K	BTS-10K	
						R13	4700Ω		RC-20BF472K	BTS-2700	Note 1

Note 1: Not used in all models.

TRANSFORMER (POWER)

ITEM No.	RATING				REPLACEMENT DATA					
	PRI.	SEC. 1	SEC. 2	SEC. 3	FISHER PART No.	Stancor PART No.	Merit PART No.	Triad PART No.	Halldorson PART No.	Thordarson PART No.
T1	117VAC @ .05A	115VAC .005ADC	6.3VCT @ .49A		515-118	PS-8415				

CHASSIS—TOP VIEW



PARTS LIST AND DESCRIPTIONS (Continued)

SELENIUM RECTIFIER

ITEM No.	RATING		REPLACEMENT DATA					NOTES
	CURRENT	FISHER PART No.	FEDERAL PART No.	INTERNATIONAL PART No.	MALLORY PART No.	SARKES TARZIAN PART No.	SELETRON PART No.	
M1	.005	SR-50011-1	1159	CR-20	8S20	10	8Y1	

MISCELLANEOUS

ITEM No.	PART NAME	FISHER PART No.	NOTES
M2	Dial Light	I-50009-2	#51 - Bayonet
M3	Switch	S-515-119	On-Off
M4	Switch	S-515-117	High Frequency
M5	Switch	S-50005	Low Frequency
M6	Tone Choke	L-515-115-3	

CHASSIS—BOTTOM VIEW

