

*Stereophonic*



**THE FISHER**

**400-CX**

**SERVICE**

**MANUAL**



MODEL 400-CX

CHASSIS SERIAL NUMBERS  
FROM 10001 TO 19999 INCLUSIVE

PRICE: \$1.00

**FISHER RADIO CORPORATION • NEW YORK**  
(c) [www.fisherconsoles.com](http://www.fisherconsoles.com)

CHASSIS SERIAL NUMBERS  
FROM 10001 TO 19999

**THE FISHER 400-CX**





# PARTS DESCRIPTION LIST

## CAPACITORS

10% tolerance for all fixed capacitors, unless otherwise noted or marked GMV (guaranteed minimum value.)

Symbol	Description	Part No.
C1, 2	Ceramic, .001uf; 1000V	C50072-3
C3, 4	Ceramic, 390uf; 1000V	C50072-6
C5, 6	Mylar, .022uf; 250V	C50197-49
C7	Ceramic, 1200uf; 1000V	C50072-4
C8	Ceramic, 820uf; 1000V	C50072-7
C9	Ceramic, 470uf; 1000V	C50072-13
C10	Ceramic, 1200uf; 1000V	C50072-4
C11	Ceramic, 820uf; 1000V	C50072-7
C12	Ceramic, 470uf; 1000V	C50072-13
C13	Mylar, .022uf; 250V	C50197-49
C14	Ceramic, 390uf; 1000V	C50072-6
C15	Mylar, .022uf; 250V	C50197-49
C16	Ceramic, 390uf; 1000V	C50072-6
C17, 18	Ceramic, 47uf; N750, 1000V	C50070-4
C19, 20	Ceramic, 560uf; 1000V	C50072-14
C21	Ceramic, 680uf; 1000V	C50072-2
C22	Mylar, .022uf; 250V	C50197-49
C23	Ceramic, 680uf; 1000V	C50072-2
C24	Mylar, .022uf; 250V	C50197-49
C25, 26	Ceramic, 1500uf; 1000V	C50072-10
C27	Mylar, .47uf; 250V	C50197-56
C28	Mylar, .047uf; 250V	C50197-52
C29	Electrolytic, 25uf; 6V	C639-114
C30	Mylar, .047uf; 250V	C50197-52
C31	Electrolytic, 25uf; 6V	C639-114
C32	Mylar, .47uf; 250V	C50197-56
C33, 34	Ceramic, 47uf; N750, 1000V	C50070-4
C35	Mylar, .01uf; 250V	C50197-48
C36	Electrolytic, 25uf; 6V	C639-114
C37	Mylar, .01uf; 250V	C50197-48
C38	Electrolytic, 25uf; 6V	C639-114
C39, 40	Mylar, .022uf; 250V	C50197-49
C41, 42	Ceramic, 390uf; 1000V	C50072-6
43, 44		
C45	Electrolytic, 4 section: A — 40uf; 450V B — 10uf; 450V	C50180-10 C — 10uf; 450V D — 40uf; 450V
C46	Electrolytic, 2 Section: A — 1000uf; 30V B — 1000uf; 30V	C50180-8 A — 1000uf; 30V B — 1000uf; 30V
C47	Mylar, 1uf; 150V	C50197-78
C48	Mylar, .1uf; 250V	C50197-54
C49	Mylar, 1uf; 150V	C50197-78
C50	Electrolytic, 4 section: A — 10uf; 250V B — 30uf; 300V	C657-126 C — 30uf; 300V D — 10uf; 250V
C51	Ceramic, 390uf; 1000V	C50072-6
C52	Mylar, .047uf; 250V	C50197-52
C53	Mylar, .022uf; 250V	C50197-49
C54, 55	Electrolytic, 250uf; 6V	C639-114
C56	Mylar, .022uf; 250V	C50197-49
C57	Mylar, .047uf; 250V	C50197-52
C58	Ceramic, 39uf; 1000V	C50072-6
C59, 60	Mylar, .047uf; 250V	C50197-52
C61, 62	Mylar, .47uf; 250V	C50197-56
C63	Mylar, .1uf; 250V	C50197-54

## RESISTORS

In ohms, 10% tolerance, 1/2 watt, unless otherwise noted. K = kilohm, M = megohm.

Symbol	Description	Part No.
R1	Deposited carbon 120K, 5%; 1/3W	R33DC124J
R2, 3	Deposited carbon 47K, 5%; 1/3W	R33DC473J
R4, 5	Deposited carbon 120K, 5%; 1/3W	R33DC124J
R6, 7	Deposited carbon 47K, 5%; 1/3W	R33DC473J
R8	Deposited carbon 120K, 5%; 1/3W	R33DC124J

R9, 10	Deposited carbon 270K, 5%; 1/3W	R33DC274J
R11	Composition, 15	RC20BF150K
R12, 13	Potentiometer, 250K, Aux. level sets	R50160-3
R14	Composition, 15	RC20BF150K
R15	Deposited carbon 10K, 5%; 1/3W	R33DC103J
R16	Deposited carbon 470K, 5%; 1/3W	R33DC474J
R17	Deposited carbon 10K, 5%; 1/3W	R33DC103J
R18	Deposited carbon 470K, 5%; 1/3W	R33DC474J
R19	Deposited carbon 330K, 5%; 1/3W	R33DC334J
R20	Deposited carbon 2.7K, 5%; 1/3W	R33DC272J
R21	Deposited carbon 330K, 5%; 1/3W	R33DC334J
R22	Deposited carbon 2.7K, 5%; 1/3W	R33DC272J
R23	Deposited carbon 3.9M, 5%; 1/3W	R33DC395J
R24	Deposited carbon 330K, 5%; 1/3W	R33DC334J
R25	Deposited carbon 2.2M, 5%; 1/3W	R33DC225J
R26	Composition, 820K	RC20BF824K
R27	Composition, 18M	RC20BF186K
R28	Deposited carbon 3.9M, 5%; 1/3W	R33DC395J
R29	Deposited carbon 330K, 5%; 1/3W	R33DC334J
R30	Deposited carbon 2.2M, 5%; 1/3W	R33DC225J
R31	Composition 820K	RC20BF824K
R32	Composition 18M	RC20BF186K
R33, 34	Deposited carbon 270K, 5%; 1/3W	R33DC274J
35, 36		
R37	Potentiometer 250K, ch. A; Mag. 2, level set	R50160-3
R38	Deposited carbon 120K, 5%; 1/3W	R33DC124J
R39	Potentiometer 250K, ch. B, mag. 2, level set	R50160-3
R40	Deposited carbon 120K, 5%; 1/3W	R33DC124J
R41, 42	Potentiometer 250K, mag. 1, level set	R50160-3
R43	Composition 2.2M	RC20BF225K
R44, 45	Deposited carbon 470K, 5%; 1/3W	R33DC474J
R46	Composition, 2.2M	RC20BF225K
R47	Deposited carbon 2.2M, 5%; 1/3W	R33DC225J
R48	Deposited carbon 3.9M, 5%; 1/3W	R33DC395J
R49	Deposited carbon 2.2M, 5%; 1/3W	R33DC225J
R50	Deposited carbon 3.9M, 5%; 1/3W	R33DC395J
R51	Deposited carbon 2.2M, 5%; 1/3W	R33DC225J
R52	Composition 10	RC20BF100K
R53	Deposited carbon 2.2M, 5%; 1/3W	R33DC225J
R54	Composition 220K	RC20BF224K
R55	Deposited carbon 2.7K, 5%; 1/3W	R33DC272J
R56	Deposited carbon 18K, 5%; 1/3W	R33DC183J
R57	Composition, 220K	RC20BF224K
R58	Deposited carbon 2.7K, 5%; 1/3W	R33DC272J
R59	Deposited carbon 470K, 5%; 1/3W	R33DC474J
R60	Deposited carbon 18K, 5%; 1/3W	R33DC183J
R61	Deposited carbon 470K, 5%; 1/3W	R33DC474J
R62	Composition, 1.2K	RC20BF122K
R63	Composition, 47K	RC20BF473K
R64	Composition, 1.2K	RC20BF122K
R65	Composition, 47K	RC20BF473K
R66	Deposited carbon 15K, 5%; 1/3W	R33DC153J
R67	Deposited carbon 33K, 5%; 1/3W	R33DC333J
R68	Deposited carbon 15K, 5%; 1/3W	R33DC153J
R69	Deposited carbon 33K, 5%; 1/3W	R33DC333J
R70, 71	Deposited carbon 120K, 5%; 1/3W	R33DC124J
R72	Potentiometer dual 250K, balance	R50160-42
R73, 74	Deposited carbon 470K, 5%; 1/3W	R33DC474J
R75, 76	Composition, 4.7M	RC20BF475K
R77	Composition, 120K, 5%	RC20BF124J
R78	Composition, 1.5K	RC20BF152K
R79	Composition, 120K; 5%	RC20BF124J
R80	Composition, 1.5K	RC20BF152K
R80, 81	Composition, 120K, 5%	RC20BF124J
83, 84		
R85, 86	Composition, 1M	RC20BF105K
R87	Composition, 470	RC20BF471K
R88	Composition, 2.2K	RC20BF222K
R89	Composition, 18K, 1W	RC30BF183K
R90	Composition, 470	RC20BF471K

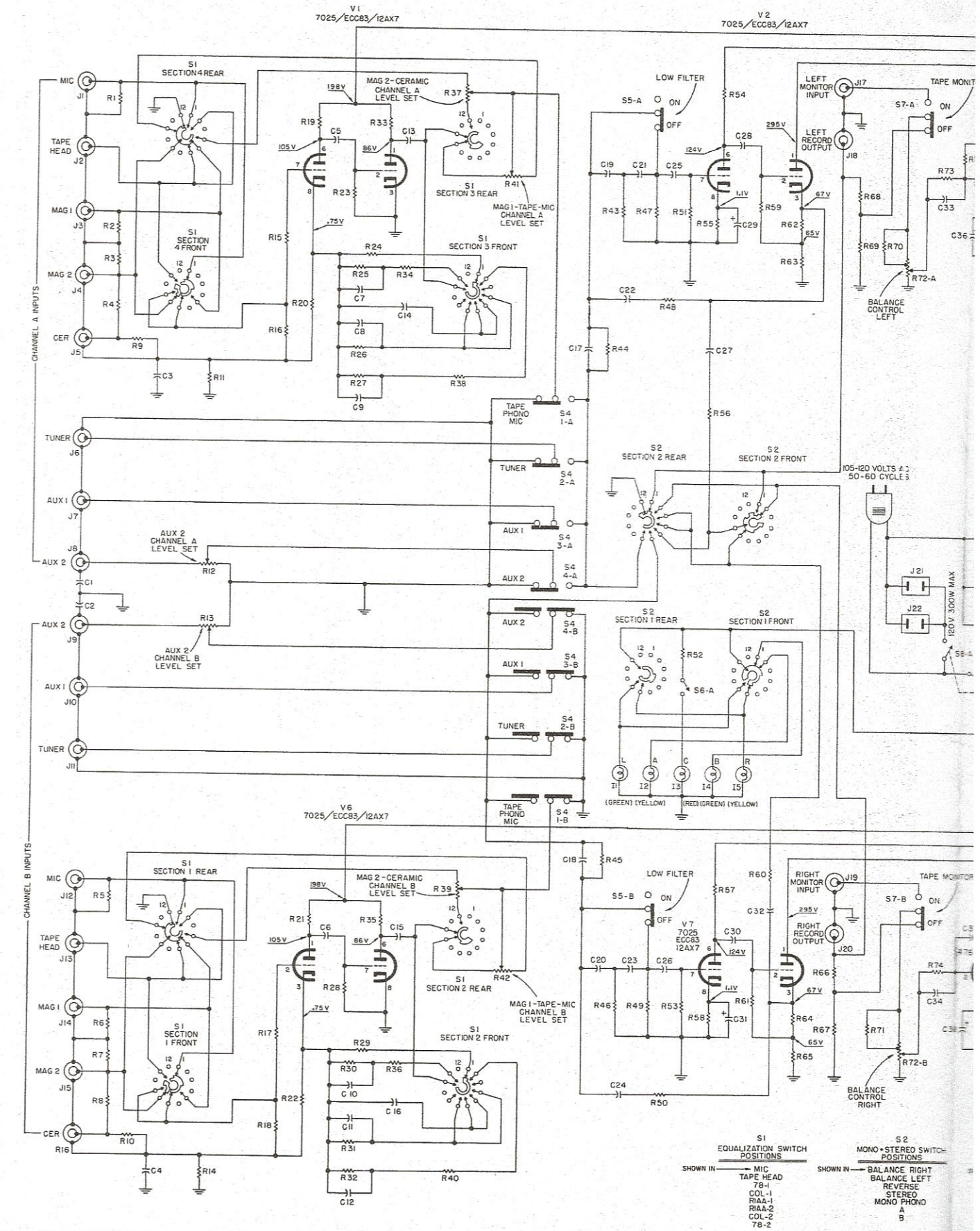
R91	Composition, 2.2K	RC20BF222K
R92	Composition, 18K, 1W	RC30BF183K
R93	Wirewound 1.8K; 5W	R795-133
R94	Wirewound 12; 7W	R795-134
R95	Composition, 220K	RC20BF224K
R96	Composition, 2.2K	RC20BF222K
R97	Wirewound, 1.8K; 5W	R795-133
R98	Composition, 3.9K; 1W	RC30BF392K
R99	Deposited carbon 470K, 5%; 1/3W	R33DC474J
R100	Composition, 390K	RC20BF394K
R101	Composition, 150K	RC20BF154K
R102	Composition, 39K	RC20BF393K
R103, 104	Composition, 15K	RC20BF393K
R105	Composition, 39K	R795-127
R106	Potentiometer dual 100K, volume	RC20BF123K
R107	Composition, 12K	RC30BF392K
R108	Composition, 3.9K, 1W	RC20BF472K
R109	Composition, 4.7K	R33DC103J
R110-111	Deposited carbon 10K, 5%; 1/3W	R33DC223J
R112	Deposited carbon 22K, 5%; 1/3W	RC20BF104K
R113	Composition, 100K	RC20BF183K
R114	Composition, 18K	R33DC223J
R115	Deposited carbon 22K, 5%; 1/3W	RC20BF472K
R116	Composition, 4.7K	RC20BF104K
R117	Composition, 100K	RC20BF183K
R118	Composition, 18K	RC20BF123K
R119	Composition, 12K	R33DC474J
R120	Deposited carbon 470K, 5%; 1/3W	R50160-40
R121	Potentiometer 500K, dimension	R33DC474J
R122	Deposited carbon 470K, 5%; 1/3W	RC20BF102K
R123	Composition, 1K	RC20BF473K
R124	Composition, 47K	RC20BF102K
R125	Composition, 1K	RC20BF473K
R126	Composition, 47K	R50160-25
R127	Potentiometer dual 1M; bass	R50160-39
R128	Potentiometer dual 500K, treble	RC20BF274J
R129, 130	Composition, 270K; 5%	R33DC474J
R131	Deposited carbon 470K, 5%; 1/3W	R50160-41
R132	Potentiometer 500K, center ch. volume	RC20BF104K
R133	Composition, 100K	RC20BF152K
R134	Composition, 1.5K	

## MISCELLANEOUS

Symbol	Description	Part No.
F1	Fuse .5 amp. slo-blo	F795-136
I1, 2, 3, 4, 5	Bulb #47	I50009-1
PC1, PC2	Printed circuit tone control	PC657-140
P1	Plug, 9 pin	P50181
S1	Switch, equalization	S795-130
S2	Switch, mono - stereo	S795-129
S3	Switch, loudness	Part of R106
S4	Switch, push button	S795-128
S5	Switch slide low filter	S50200-2
S6	Switch dimension	Part of R121
S7	Switch slide, tape monitor	S50200-2
S8	Switch power	Part of R106
S9, 10	Switch slide, high filter and phase reverse	S50200-2
SRI	Selenium rectifier	SR470-137
T1	Transformer power	T795-115
—	Knob pushbutton	E795-132-1
—	Knob small with triangle	E50152
—	Knob rear of dual with dot	E50153-1
—	Knob large with triangle	E50154-1
—	Tube shield, 9 pin	E3287
—	Cap. for P1	E50182
—	Jewel green	E50162-4
—	Jewel yellow	E50162-2
—	Jewel red	E50162-1
—	Dress panel	A5795-108



SCHEMATIC DIAGRAM



RESISTORS	R1 TO R8	R9 TO R10	R11 TO R14	R15 TO R18	R19 TO R22	R23 TO R32	R33 TO R36	R37 TO R40	R41 TO R42	R43 TO R46	R47 TO R50	R51 TO R53	R54 TO R58	R59 TO R61	R62 TO R65	R66 TO R67	R68 TO R71	R72 TO R74	R75 TO R76	
CAPACITORS	C1 TO C2	C3 TO C4			C5 TO C6	C7 TO C12	C13 TO C16			C17 TO C18	C19 TO C24	C25 TO C26	C27 TO C31	C32					C33 TO C34	C35 TO C36

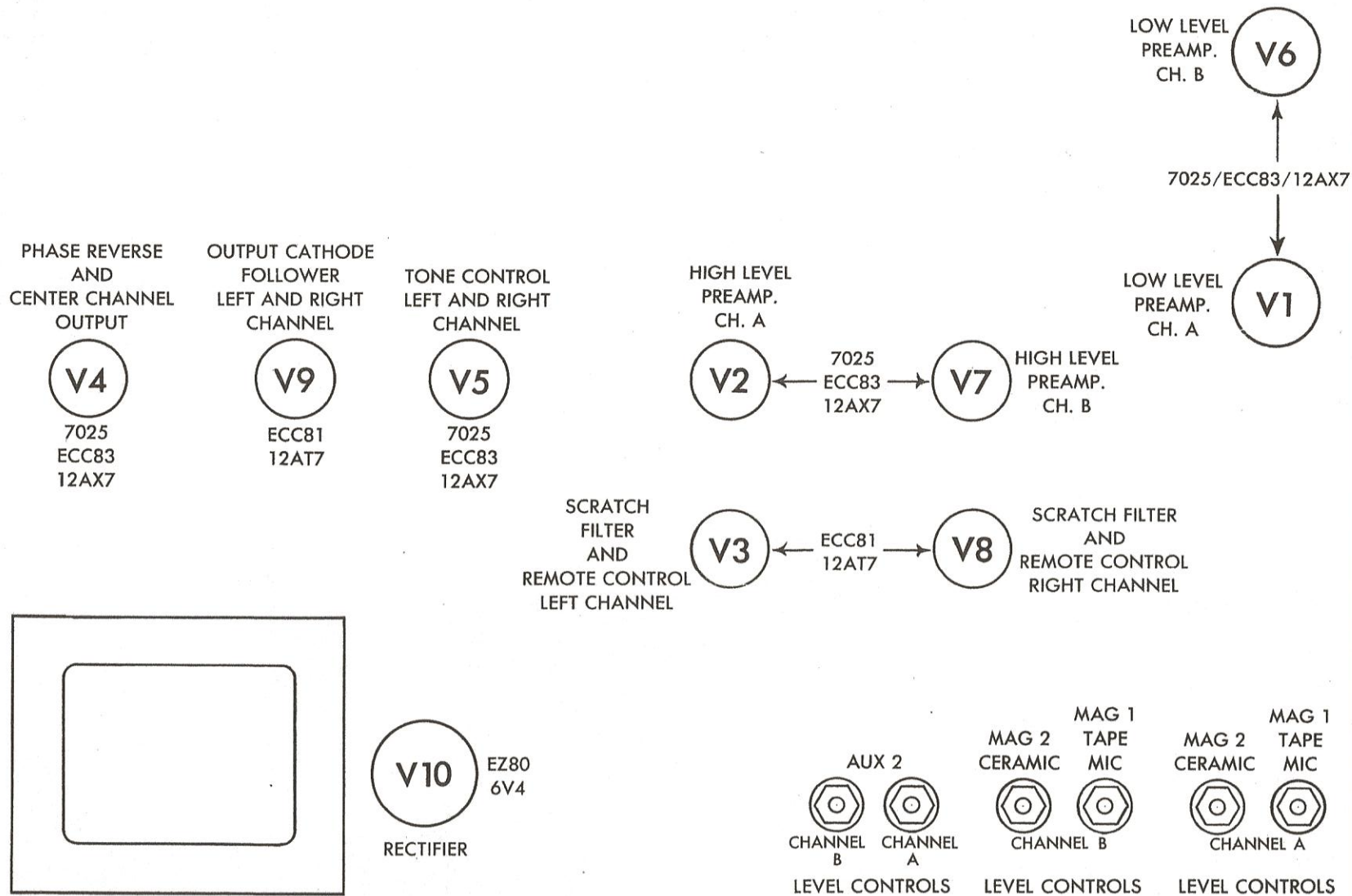
**S1 EQUALIZATION SWITCH POSITIONS**  
 SHOWN IN → MIC  
 TAPE HEAD  
 78-1  
 COL-1  
 RIAA-1  
 RIAA-2  
 COL-2  
 78-2

**S2 MONO-STEREO SWITCH POSITIONS**  
 SHOWN IN → BALANCE RIGHT  
 BALANCE LEFT  
 REVERSE  
 STEREO  
 MONO PHONO  
 A  
 B





# TUBE LAYOUT







**FISHER RADIO CORPORATION • NEW YORK**

N-795-104

Printed in U.S.A.

(c) [www.fisherconsoles.com](http://www.fisherconsoles.com)

507W12C-129