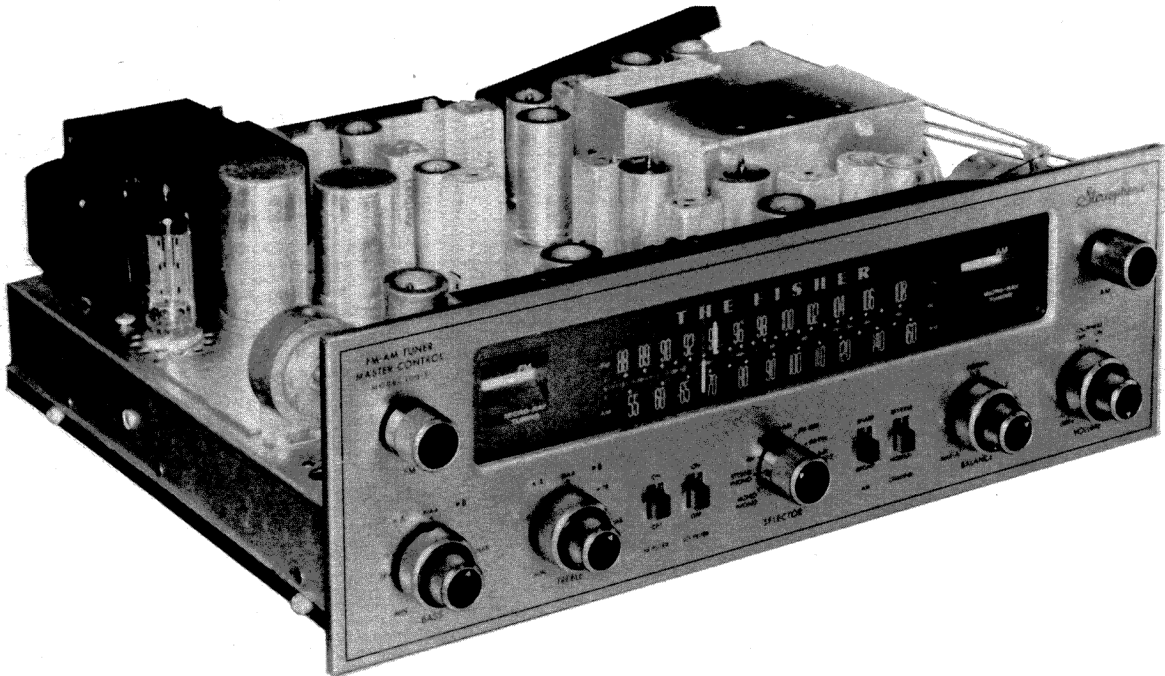


FISHER MODEL
100-TFISHER MODEL
100-T

TRADE NAME	Fisher Model 100-T (Serial #30001-39999 Inclusive)		
MANUFACTURER	Fisher Radio Corp., 21-21 44th Drive, Long Island City 1, N. Y.		
TYPE SET	AC Operated 16 Tube FM-AM Receiver		
POWER SUPPLY	105 - 120 Volts AC, 50-60 Cycles	RATING	72 Watts, .67 Amp. @117 Volts AC
TUNING RANGE - BROADCAST	535 - 1620KC	FREQ. MOD.	88 - 108MC

HOWARD W. SAMS & CO., INC. Indianapolis 6, Indiana

The listing of any available replacement part herein does not constitute in any case a recommendation, warranty or guaranty by Howard W. Sams & Co., Inc., as to the quality and suitability of such replacement part. The numbers of these parts have been compiled from information furnished to Howard W. Sams & Co., Inc., by the manufacturers of JL785

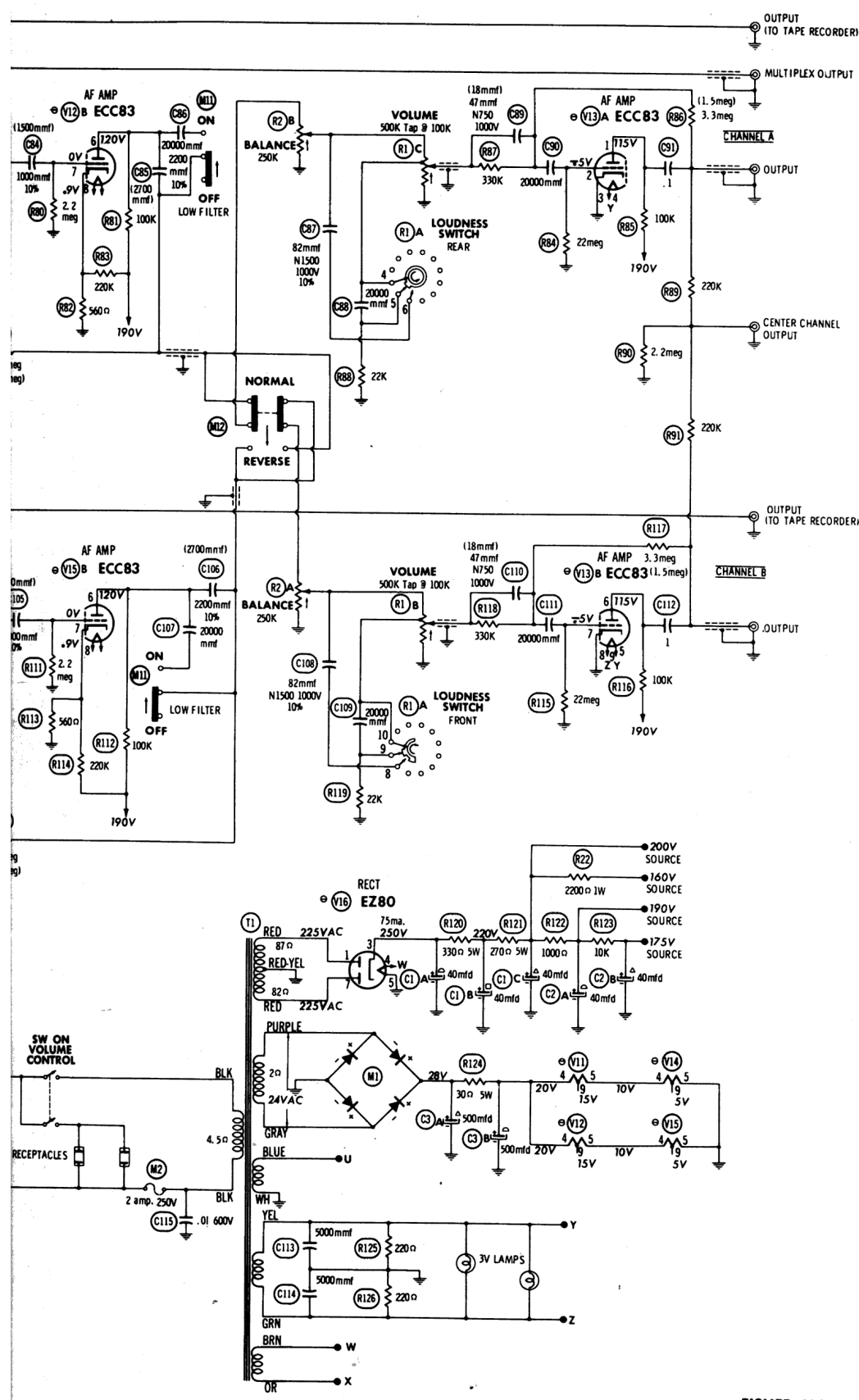


the particular type of replacement part listed. Reproduction or use, without express permission, of editorial or pictorial content, in any manner, is prohibited. No patent liability is assumed with respect to the use of the information contained herein. © 1960 Howard W. Sams & Co., Inc., Indianapolis 6, Indiana. Printed in U.S. of America

DATE 7 - 60

SET 493

FOLDER 7



FISHER MODEL 100-T

ALIGNMENT INSTRUCTIONS

ALIGNMENT INSTRUCTIONS—READ CAREFULLY BEFORE ATTEMPTING ALIGNMENT

Use only enough generator output to provide a usable indication.

Use only enough sweep generator output to provide a usable pattern on scope.

Suggested alignment tools: A1 thru A4, A6, A11 thru A15... GENERAL CEMENT #5097, 8727
 WALSCO #2515
 A5, A10, A16, A17, A18, A19... GENERAL CEMENT #8282, 8606, 8606-L, 9295, 9440
 WALSCO #2526, 2543, 2544, 2545
 A7, A8, A9... GENERAL CEMENT #5004, 5008, 5009
 WALSCO #2520
 A20, A21, A22... GENERAL CEMENT #5000, 5003, 5066, 8276, 8290, 9087, 9089
 WALSCO #2512, 2525, 2528

AM ALIGNMENT — SELECTOR IN AM POSITION

AM Bandwidth switch in "SHARP" Position.

SIGNAL GENERATOR COUPLING	SIGNAL GENERATOR FREQUENCY	RADIO DIAL SETTING	CONNECT VTVM	ADJUST	REMARKS
1. High side thru .01mfd to pin 2 (grid) of AM Mixer. Low side to chassis.	455KC (400v 30% AM Mod.)	(AM) Point of non-interference.	DC probe to point A . Common to chassis.	A1, A2, A3, A4	Adjust for maximum deflection.
Set bandwidth switch to "Broad". Connect the synchronized sweep voltage from the sweep generator to the horizontal input of the oscilloscope for horizontal deflection. Disconnect after Step 2 and return switch to 'Sharp'.					
2. High side thru .01mfd to pin 2 (grid) of AM Mixer. Low side to chassis.	455KC (30KC Swp)	(AM) Point of non-interference.	USE SCOPE . Vert. Amp. to point \diamond A . Common to chassis.	A4	Retouch A4 for symmetrical curve. Return Bandwidth to SHARP.
3. High side thru 220mfd to AM antenna terminal #3. Low side to chassis. Disconnect link between terminals 1 and 2.	600KC (400v 30% AM Mod.)	600KC	DC probe to point \diamond A . Common to chassis.	A5, A6	Adjust for maximum deflection.
4. "	1400KC	1400KC	"	A7, A8, A9	Adjust for maximum deflection. Repeat Steps 3 and 4.

FM IF ALIGNMENT USING AM SIGNAL GENERATOR AND VTVM—SELECTOR IN FM POSITION

SIGNAL GENERATOR COUPLING	SIGNAL GENERATOR FREQUENCY	RADIO DIAL SETTING	CONNECT VTVM	ADJUST	REMARKS
5. High side to ungrounded tube shield floating over FM Mixer-Oscillator tube. Low side to chassis.	10.7MC (Unmod.)	FM Point of non-interference.	DC probe to point \diamond B . Common to chassis.	A10, A11, A12, A13, A14, A15	Adjust for maximum deflection.
6. "	"	"	DC probe to point \diamond C . Common to chassis.	A16	Adjust for zero reading. A positive and negative reading will be obtained on either side of the correct setting.

FM IF ALIGNMENT USING FM SIGNAL GENERATOR AND OSCILLOSCOPE—SELECTOR IN FM POSITION

Use frequency modulated signal with 60v modulation and 450KC sweep. Use 120v sawtooth voltage in scope for horizontal deflection.

SIGNAL GENERATOR COUPLING	SIGNAL GENERATOR FREQUENCY	RADIO DIAL SETTING	CONNECT SCOPE	ADJUST	REMARKS
5. High side to ungrounded tube shield floating over FM Mixer-Oscillator tube. Low side to chassis.	10.7MC	FM Point of non-interference.	Vert. amp. to point \diamond B . Low side to chassis.	A10, A11, A12, A13, A14, A15	Disconnect Stabilizing capacitor C4. Adjust for maximum gain and symmetry of response similar to Fig. 1. Reconnect C4.
6. "	"	"	Vert. amp. to point \diamond C . Low side to chassis.	A16	Adjust to place marker at the center of crossover lines similar to Fig. 2. SLIGHTLY retouch A10 for maximum amplitude and straightness of crossover lines.

FM RF ALIGNMENT—SELECTOR IN FM POSITION

SIGNAL GENERATOR COUPLING	SIGNAL GENERATOR FREQUENCY	RADIO DIAL SETTING	CONNECT VTVM	ADJUST	REMARKS
7. Across FM Antenna terminals with 120Ω in each lead.	90MC (Unmod.)	FM 90MC	DC probe to point \diamond B . Common to chassis.	A17, A18, A19	Adjust for maximum deflection.
8. "	106MC	106MC	"	A20, A21, A22	Adjust for maximum deflection. Repeat Steps 7 and 8.

REFER TO PAGE 10 FOR ALIGNMENT FIGURES.

FISHER MODEL 100-T

FOLDER

PARTS LIST AND DESCRIPTIONS

TUBES

CBS		GENERAL ELECTRIC		RAYTHEON		SYLVANIA	
ITEM No.	USE	TYPE	ITEM No.	USE	TYPE	ITEM No.	TYPE
V1	FM RF Amplifier	ECC85/6AQ8	V10	AM Tuning Indicator	EM84 (6FG6/EM84)*		
V2	FM Mixer-Osc.	ECC85/6AQ8	V11	Channel A AF Amp.	ECC83/12AX7 (7025)*		
V3	1st FM IF Amp.	6AU6	V12	Channel A AF Amp.	ECC83/12AX7 (7025)*		
V4	2nd FM IF Amp.	6AU6	V13	Channel B AF Amp.	ECC83/12AX7 (7025)*		
V5	3rd FM IF Amp.	6AU6	V14	Channel B AF Amp.	ECC83/12AX7 (7025)*		
V6	FM Tuning Indicator	EM84 (6FG6/EM84)*	V15	Channel B AF Amp.	ECC83/12AX7 (7025)*		
V7	AM RF Amplifier	6BA8	V16	Rectifier	EZ80 (E280/6V4)*		
V8	AM Mixer-Osc.	ECH81/6AJ8					
V9	AM IF Amp. - AM Det.	EBF89/6DC8 (EBF89)*					

* Alternate

ELECTROLYTIC CAPACITORS

RATING		REPLACEMENT DATA				NOTES
ITEM No.	CAP.	FISHER PART No.	AEROVOX PART No.	CORNELL-DUBILIER PART No.	MALLORY PART No.	
C1A	.40	C870-125	AFH3-44	C0870	FP327.88	TVLS-3561.4*
B	.40			BR4025		
C	.40					
C2A	.40	C50180-5	AFH2-57	B0450	FP217.87	TVL-2575
B	.40					
C3A	.40	C50180-6		WP065		TVL-2283
B	.40			TC2505		
C4	.8	C629-138	PRS1405	NLW8-50	TT150X8	TE-1303.3

* Not normally in distributor's stock. Available thru distributor on order to manufacturer.

FIXED CAPACITORS

Capacity values given in the rating column are in mfd. for Paper Capacitors, and in mmfd. for Mica and Ceramic Capacitors.

ITEM No.	RATING	REMARKS	REPLACEMENT DATA				SPRAGUE PART No.
			AEROVOX PART No.	CORNELL-DUBILIER PART No.	EMERSON PART No.	MALLORY PART No.	
C5	8 NPO ± .5mmf	#C662-123	NPO-SI 8.2	C10V8C		NPO-SI 8.2	
C6	100 N1500 1000V	#C50070-6					
C7	100 N1500 1000V	#C50070-6					
C8	100 N1500 1000V	#C50070-6					
C9	1000		EF-001	MFT-1000	CCF-102	CT280A	
C10	1000		EF-001	MFT-1000	CCF-102	CT280A	
C11	1000 10%		DI-1000	DD-102	CCF-102	GP210	
C12	1000		EF-001	DD-102	CCF-102	CT280A	
C13	8 NPO ± .5mmf	(5) †	NPO-SI 8.2	C10V8C		NPO-SI 8.2	
C14	24 N150 1000V 10%	#C662-123					
C15	47 N750 1000V 10%	#C50070-8					
C16	47 N750 1000V 10%	#C50070-8					
C17	68 N750	#CC20P J050D5	N750-SI 68	TCN-68	C10Q34C	CNT-447	
C18	5 N150 ± .5mmf	#CC20R H050D5			C10Q88U	CNT-468	
C19	5 N220 ± .5mmf	#C50070-6					
C20	100 N1500 1000V 10%	#C50070-6					
C21	100 N1500 1000V 10%	#C50070-6					
C22	5000		BPD-005	DD-502	CCD-502	GP250	
C23	5000		EF-001	MFT-1000	CCF-102	CT280A	
C24	1000		EF-001	MFT-1000	CCF-102	CT280A	
C25	20000		EF-001	MFT-1000	CCF-102	CT280A	
C26	1000		EF-001	MFT-1000	CCF-102	CT280A	
C27	1000		EF-001	MFT-1000	CCF-102	CT280A	
C28	1000		EF-001	MFT-1000	CCF-102	CT280A	
C29	100 N1500 1000V 5%	#C50070-19					
C30	100 N1500 1000V 5%	#C50070-19					
C31	2700		DI-1000	DD-102	CCD-102	GP210	
C32	2700		DI-2700	DD-272	CCD-272	GP222	
C33	5000		BPD-005	DD-502	CCD-502	GP250	
C34	5000		BPD-005	DD-502	CCD-502	GP250	
C35	5000		BPD-005	DD-502	CCD-502	GP250	
C36	2700		DI-2700	DD-272	CCD-272	GP222	
C37	5000		BPD-005	DD-502	CCD-502	GP250	
C38	15000		BPD-005	DD-502	CCD-502	GP250	

FIXED CAPACITORS (cont)

ITEM No.	RATING	REMARKS	REPLACEMENT DATA				MALLORY PART No.	SPRAGUE PART No.
			AEROVOX PART No.	CORNELL-DUBILIER PART No.	EMERSON PART No.	CENTRALAB PART No.		
C39	2700		DI-2700	L10D27	CCD-272	GP227	10TS-D10	
C40	5000		BPD-005	BYA10D5	CCD-502	GP250	5HK-D50	
C41	330 10%		DI-330	L10T33	CCD-331	GP333	10TS-T33	
C42	330 10%		DI-330	L10T33	CCD-331	GP333	10TS-T33	
C43	330 10%		DI-330	L10T33	CCD-331	GP333	10TS-T33	
C44	5000		BPD-005	BYA10D5	CCD-502	GP250	5HK-D50	
C45	.0033 200V 5%		V84C4D33-5%	IR5D33	CNT-20B-332J	MCJ462	5BF-D33	
C46	1.4 100V 10%	#C50070-8	V84C4P1-10%	FM4P1	4DP-3-104	4TM-P1	4TM-P1	
C47	24 N150 1000V 5%	#C50070-13					10TCP-Q22	
C48	100 N1500 1000V							
C49	18 N470 1000V 5%							
C50	20000		BPD-02	BYB6S2	CCD-203	GP120	5HK-S20	
C51	20000		BPD-02	BYB6S2	CCD-203	GP120	5HK-S20	
C52	.68		NPO-SI .68	TCZ-R68	CCD-203			
C53	20000		BPD-02	BYB6S2	CCD-203	GP120	5HK-S20	
C54	10 NPO ± .5mmf		NPO-DI 10	C10Q1C	CCTO-100	CNO-410	10TCC-Q10	
C55	20000		BPD-02	BYB6S2	CCD-203	GP120	5HK-S20	
C56	2.2 10%	#C50070-5	NPO-SI 2.2	C10V22C	CCTO-2R2	CNO-522	10TCC-V22	
C57	100 N1500 1000V							
C58	20000		BPD-02	BYB6S2	CCD-203	GP120	5HK-S20	
C59	20000		BPD-02	BYB6S2	CCD-203	GP120	5HK-S20	
C60	10 NPO ± .5mmf		NPO-SI 10	C10Q1C	CCTO-100	CNO-410	10TCC-Q10	
C61	20000		BPD-02	BYB6S2	CCD-203	GP120	5HK-S20	
C62	5000		BPD-005	BYA10D5	CCD-502	GP250	5HK-D50	
C63	5000		BPD-005	BYA10D5	CCD-502	GP250	5HK-D50	
C64	20000		BPD-02	BYB6S2	CCD-203	GP120	5HK-S20	
C65	.68 10%		NPO-SI .68	TCZ-R68	CCD-203			
C66	.22 10%							
C67	20000		BPD-02	BYB6S2	CCD-203	GP120	5HK-S20	
C68	5000		BPD-005	BYA10D5	CCD-502	GP250	5HK-D50	
C69	820 5%	Note 1	1469-00082	IR5T82	CNT-19B-82J	MS-382	MS-382	
C70	820 5%		1469-00082	IR5T82	CNT-19B-82J	MS-382	MS-382	
C71	220 10%		DI-220	L10T22	CCD-221	GP322	10TS-T22	
C72	100 N1500 1000V	#C50070-5						
C73	10000		BPD-01	BYA10S1	CCD-103	GP110	5HK-S10	
C74	20000		BPD-02	BYB6S2	CCD-203	GP120	5HK-S20	
C75	50000		BPD-05	CUB6S5	6DP-3-503	GP150	5HK-S50	
C76	24 N150 1000V 5%	#C50070-8(39)†					10TCP-Q22	
C77	2000		BPD-02	BYB6S2	CCD-203	GP120	5HK-S20	
C78	220 10%		DI-220	L10T22	CCD-221	GP322	10TS-T22	
C79	3300 10%		DI-3300	PM6D33	CCD-332	JL-233	10TS-D33	
C80	1000 10%		DI-1000	PM6D1	CCD-102	GP210	10TS-D10	
C81	10000		BPD-01	BYA10S1	CCD-103	GP110	5HK-S10	
C82	20000	(50000) †	BPD-02	BYB6S2	CCD-203	GP120	5HK-S20	
C83	47 N750 1000V 10%	(39) †	DI-1000	C10Q47U	CCTN-470	CNT-447	10TCU-Q47	
C84	1000 10%	(1500) †	DI-1000	PM6D1	CCD-102	GP210	10TS-D10	
C85	2200 10%	(2700) †	DI-2200	PM6D22	CCD-222	GP222	10TS-D22	
C86	20000		BPD-02	BYB6S2	CCD-203	GP120	5HK-S20	
C87	82 N1500 1000V 10%	#C50070-7						
C88	20000		BPD-02	BYB6S2	CCD-203	GP120	5HK-S20	
C89	47 N750 1000V 10%	(18) †	BPD-02	C10Q47U	CCTN-470	CNT-447	10TCU-Q47	
C90	20000		BPD-02	BYB6S2	CCD-203	GP120	5HK-S20	
C91	1.4 400V		P488N-1	CUB4P1	4DP-3-104	GEM-401	4TM-P1	
C92	220 10%		DI-220	L10T22	CCD-221	GP322	10TS-T22	
C93	100 N1500 1000V	#C50070-5						
C94	10000		BPD-01	BYA10S1	CCD-103	GP110	5HK-S10	
C95	20000		BPD-02	BYB6S2	CCD-203	GP120	5HK-S20	
C96	50000		BPD-05	PM6S5	6DP-3-503	GP150	5HK-S50	
C97	24 N150 1000V 5%	#C50070-8(39)†					10TCP-Q22	
C98	20000		BPD-02	BYB6S2	CCD-203	GP120	5HK-S20	
C99	220 10%		DI-220	L10T22	CCD-221	GP322	10TS-T22	
C100	3300 10%		DI-3300	PM6D33	CCD-332	JL-233	10TS-D33	
C101	1000 10%		DI-1000	PM6D1	CCD-102	GP210	10TS-D10	
C102	10000		BPD-01	BYA10S1	CCD-103	GP110	5HK-S10	
C103	20000	(50000) †	BPD-02	BYB6S2	CCD-203	GP120	5HK-S20	
C104	68 N750 1000V 10%	(1500) †	DI-1000	C10Q68U	CCTN-680	CNT-468	10TCU-Q68	
C105	1000 10%	(1500) †	DI-1000	PM6D1	CCD-102	GP210	10TS-D10	
C106	2200 10%	(2700) †	DI-2200	PM6D22	CCD-222	GP222	10TS-D22	
C107	20000		BPD-02	BYB6S2	CCD-203	GP120	5HK-S20	
C108	82 N1500 1000V 10%	#C50070-7						
C109	20000		BPD-02	BYB6S2	CCD-203	GP120	5HK-S20	
C110	47 N750 1000V 10%	(18) †					10TCU-Q47	

PARTS LIST AND DESCRIPTIONS (Continued)

FIXED CAPACITORS (cont)

ITEM No.	RATING	REMARKS	REPLACEMENT DATA					
			AEROVOX PART No.	CENTRALAB PART No.	CORNELL-DUBILIER PART No.	ELMENDO PART No.	MALLORY PART No.	SPRAGUE PART No.
C11	20000		BPD-02	DD-203	BYB6S2	CCD-203	GP120	5HK-520
C12	.1 400V		P488N-1	DF-104	CUBA61	4DP-3-104	GEM-401	4TM-P1
C13	5000		BPD-005	DD-502	BYA10D5	CCD-502	GP250	5HK-D50
C14	5000		BPD-005	DD-502	BYA10D5	CCD-502	GP250	5HK-D50
C15	.01 600V		P688N-01	DF-103	CUB6S1	8DP-2-103	GEM-611	6TM-S1

Fisher Part Number.

† Alternate Value.

‡ Not normally in distributor's stock. Available thru distributor on order to manufacturer.

Note 1. Not used in some versions.

CONTROLS

ITEM No.	RATING	REMARKS	REPLACEMENT DATA				INSTALLATION NOTES	
			FISHER PART No.	CENTRALAB PART No.	CLAROSTAT PART No.	CTS-IRC PART No.		MALLORY PART No.
RIA	Switch		R50160-32					Loudness Switch Volume, Channel B
B	500K Tap							Volume, Channel A
C	100K Tap							
D	Switch							
RA	250K		B-50	AD47-250K-S			FA254L	Power Off-On
B	250K		SR-50	Not Req.			RU254L	Balance, Channel B
C	Shaft		R50106-34	KSS-3			CS3500	Balance, Channel A
RA	100K Tap							Treble, Channel B
B	100K Tap							Treble, Channel A
C	Shaft							
RA	100K Tap							Bass, Channel B
B	100K Tap							Bass, Channel A
C	Shaft							
R5	250K		JL-254					Phono Level, Channel B
R6	250K		R50160-3					Phono Level, Channel A
R7	250K		JL-254					AM Level
R8	100K		JP-104					MTX Stereo Separation

RESISTORS (cont)

ITEM No.	RATING	REMARKS	ITEM No.	RATING	REMARKS
R69	2.2meg		R89	220K	
R70	3.3meg		R90	4.7meg	
R71	100K		R91	2.2meg	
R72	220K		R92	47K	
R73	560K		R93	10K	
R74	220K		R94	330K 1W	
R75	15K		R95	22meg	
R76	39K		R96	160K	
R77	10meg		R97	4.7meg	
R78	470K		R98	220K	
R79	4.7meg		R99	470K	
R80	2.2meg		R100	2.2meg	
R81	100K		R101	3.3meg	
R82	560K		R102	100K	
R83	220K		R103	220K	
R84	22meg		R104	560K	
R85	100K		R105	220K	
R86	3.3meg		R106	15K	
R87	330K		R107	39K	
R88	22K		R108	10meg	

* Alternate Value.

COILS (RF-IF)

ITEM No.	USE	FISHER PART No.	REPLACEMENT DATA				NOTES
			Grammer PART No.	Meissner PART No.	Merit PART No.	Miller PART No.	
L1	FM Ant. Coil	L50066-8					
L2	FM Ant. Trans.	L728-124					3.3uh
L3	RF Choke	L50066-2	19-1000	19-1000	BC-561	4602	1uh
L4	RF Choke	L50066-19					.56uh
L5	Cathode Choke	L50066-19					.56uh
L6	RF Choke	L629-180					
L7	FM RF Coil	L728-128					
L8	FM Osc. Coil	L728-125					
L9	RF Choke	L50066-2	19-1000	19-1000	BC-561	4602	1uh
L10	RF Choke	L50066-3	19-1000	19-1000	BC-561	4602	1.2uh
L11	1st FM IF Trans.	L50066-2	16-3400	16-3490	BC-561	1463-PC	.56uh
L12	Cathode Choke	L50066-19					1.2uh
L13	FIL. Choke	L50066-3	19-1000	19-1000	BC-561	4602	
L14	2nd FM IF Trans.	Z22987	16-3487	16-3487	FM-254	1463	
L15	3rd FM IF Trans.	L670-145					
L16	Ratio Det.	Z2592-170	17-3498	17-3498	FM-255	1465	
L17	Loopstick	L721-139					
L18	AM Ant. Coil	L556-125					
L19	AM RF Trans.	L50210-21					
L20	AM RF Trans.	Z2592-170					
L21	1st AM IF Trans.	Z2592-170					
L22	2nd AM IF Trans.	Z2592-170					
L23	10K Filter	L644-120	16-6758	16-6758	BC-353	12-C2	RF-2

① Wound on 100K resistor.

TRANSFORMER (POWER)

ITEM No.	RATING	REPLACEMENT DATA			
		FISHER PART No.	Halderson PART No.	Merit PART No.	Stancor PART No.
T1	450 VCT ①. 075A	T755-115			
	SEC. 1	SEC. 2			
	117V③ .67A	450 VCT ③. 075A			
	SEC. 3	SEC. 4			
	6.3V③ 2.1A	6.3V④ 2.3A			
		SEC. 5			
		6.3V④ 2.1A			
		NOT USED			

RESISTORS

All wattages 1/2 watt, or less, unless otherwise listed.

ITEM No.	RATING	REMARKS	ITEM No.	RATING	REMARKS
R9	270K		R49	47K	
R10	47K		R50	220K	
R11	3.3meg		R51	270K	
R12	1meg		R52	270K	
R13	100K		R53	27K	
R14	330K		R54	180K	
R15	330K		R55	1000K	
R16	470K		R56	39K	
R17	1000K		R57	82K	
R18	22K		R58	470K	
R19	2200K 1W		R59	68K	
R20	68K		R60	4.7K	
R21	1000K		R61	47K	
R22	2200K 1W		R62	10K	
R23	33K 1W		R63	330K 1W	
R24	1000K		R64	2700K 1W	
R25	47K		R65	10K	
R26	1000K		R66	4.7meg	
R27	150K		R67	220K	
R28	150K		R68	470K	

(4700K) *

(5.6 meg) *

PARTS LIST AND DESCRIPTIONS (Continued)

COMPONENT COMBINATIONS

ITEM No.	USE	DESCRIPTION	FISHER PART No.	REPLACEMENT DATA
K1	Input Comp.	390mmf, 1500mmf, 270K, 2meg	PC50187-3	
K2	H1 Filter Comp.	(2) 100mmf, 220mmf, (2) 100K	PC50187-2	
K3	Input Comp.	390mmf, 1500mmf, 270K, 2meg	PC50187-3	
K4	H1 Filter Comp.	(2) 100mmf, 220mmf, (2) 100K	PC50187-2	

RECTIFIERS

ITEM No.	RATING	REPLACEMENT DATA				NOTES
		FISHER PART No.	INTERNATIONAL PART No.	ITT PART No.	SARKES TARZIAN PART No.	
M1	.300A	*				* Selenium Bridge

FUSES

ITEM No.	TYPE	RATING	REPLACEMENT DATA			
			FISHER PART No.	LITTELFUSE PART No.	BUSS PART No.	HOLDER
M2	3AG	2A 250V	F755-145	312003 (SAG 2A 250V)	342001	AGC 3 HKP

CRYSTAL DIODES

ITEM No.	ORIG. TYPE	REPLACEMENT DATA				NOTES
		FISHER PART No.	CBS PART No.	RAYTHEON PART No.	SYLVANIA PART No.	
M3	1N541	1N636	1N295	1N295	1N295	Ratio Det. (Pigtail)
M4	1N541	1N636	1N295	1N295	1N295	Ratio Det. (Pigtail)

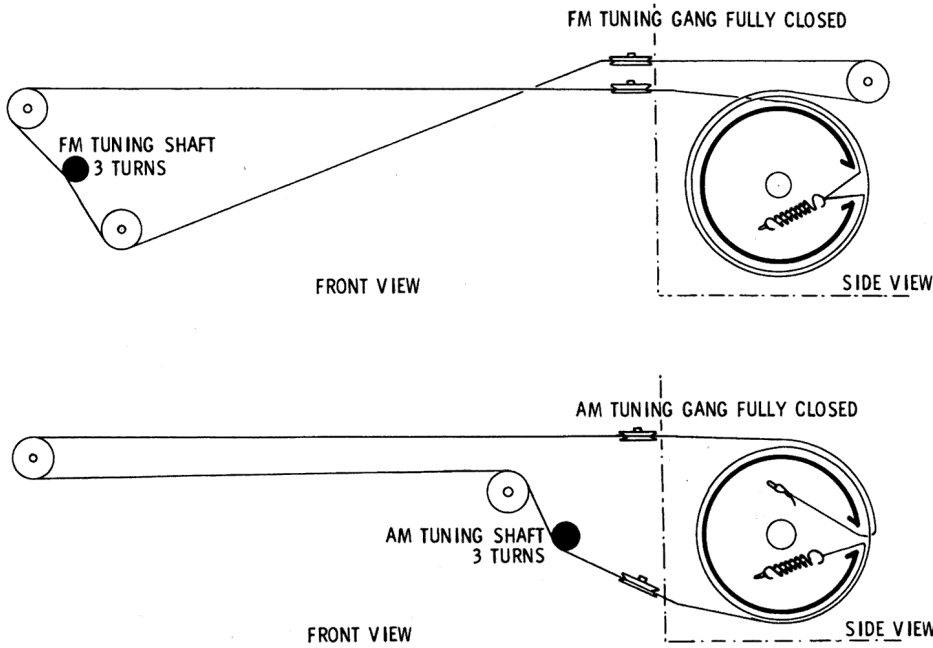
MISCELLANEOUS

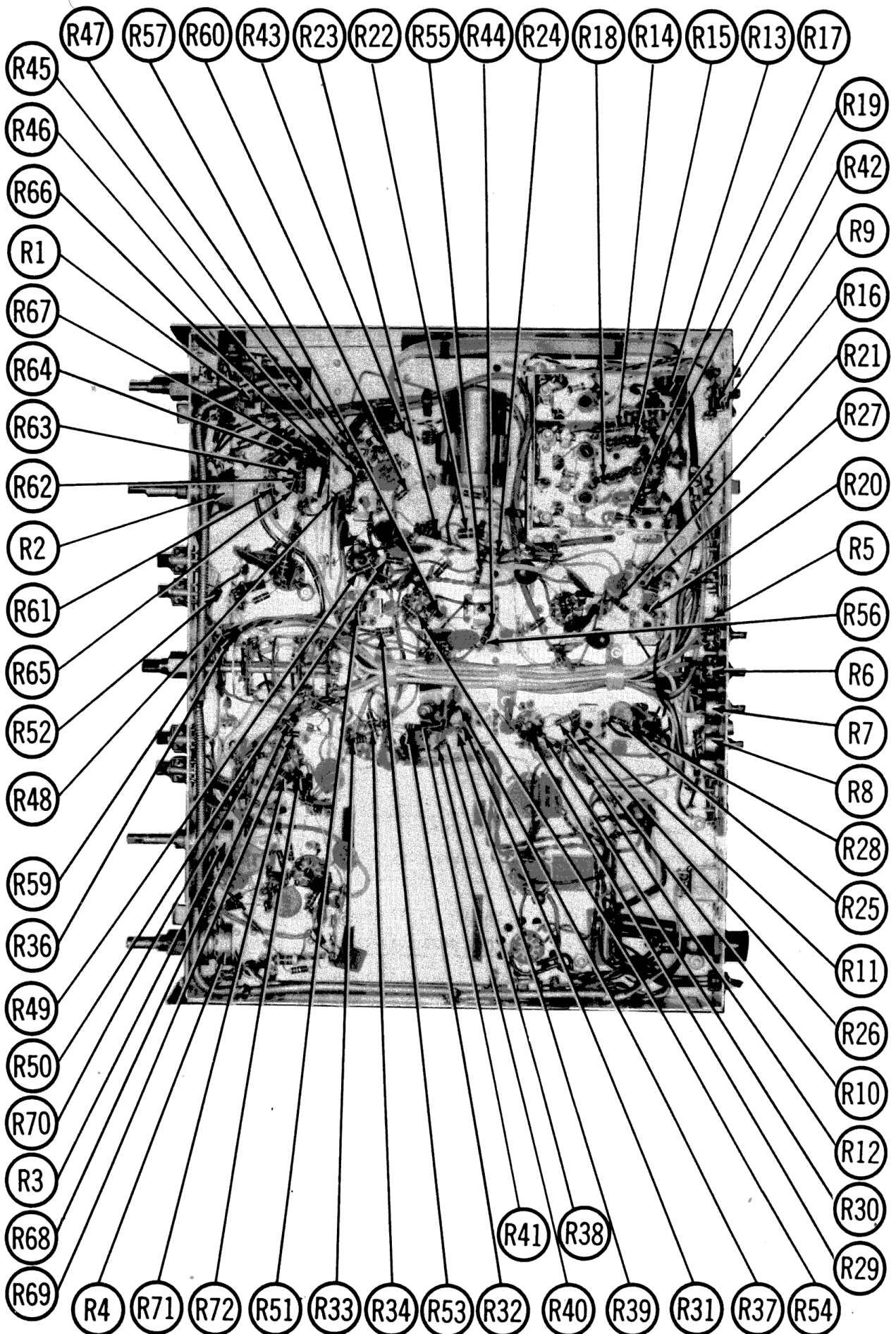
ITEM No.	PART NAME	FISHER PART No.	NOTES
M5	Tuning Cap.	C728-116	FM, 3 Gang
M6	Tuning Cap.	C684-127	AM, 3 Gang (Ant. 10-505mmf, RF 10-503mmf, Osc. 7-138mmf)
M7	Switch	S755-116	Selector (Rotary Wafer)
M8	Switch	S50200-2	AM Broad-Sharp (DPDT Slide Type)
M9	Switch	S50200-2	Main Channel-MPX Channel (DPDT Slide Type)
M10	Switch	S50200-2	Hi Filter (DPDT Slide Type)
M11	Switch	S50200-2	Lo Filter (DPDT Slide Type)
M12	Switch	S50200-2	Normal-Reverse (DPDT Slide Type)

WIRING DATA

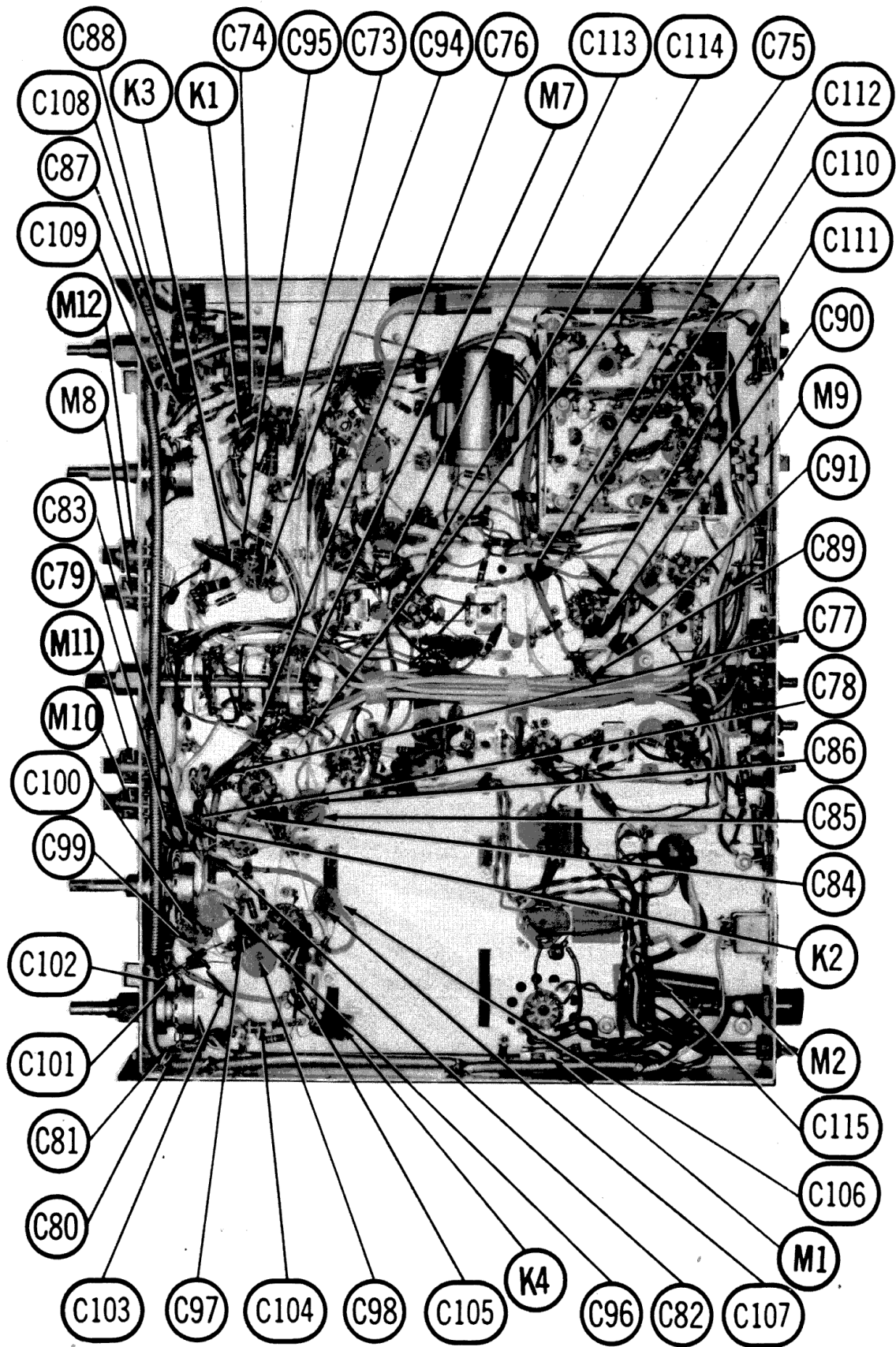
General-use Unshielded Hook-up Wire	Use BELDEN No. 8530 (Solid) Available in Ten Colors
Power Cord	8524 (Stranded) Available in Ten Colors
	1765-B (6 Ft. Length)
	1725-K (7½ Ft. Length)

DIAL CORD STRINGING



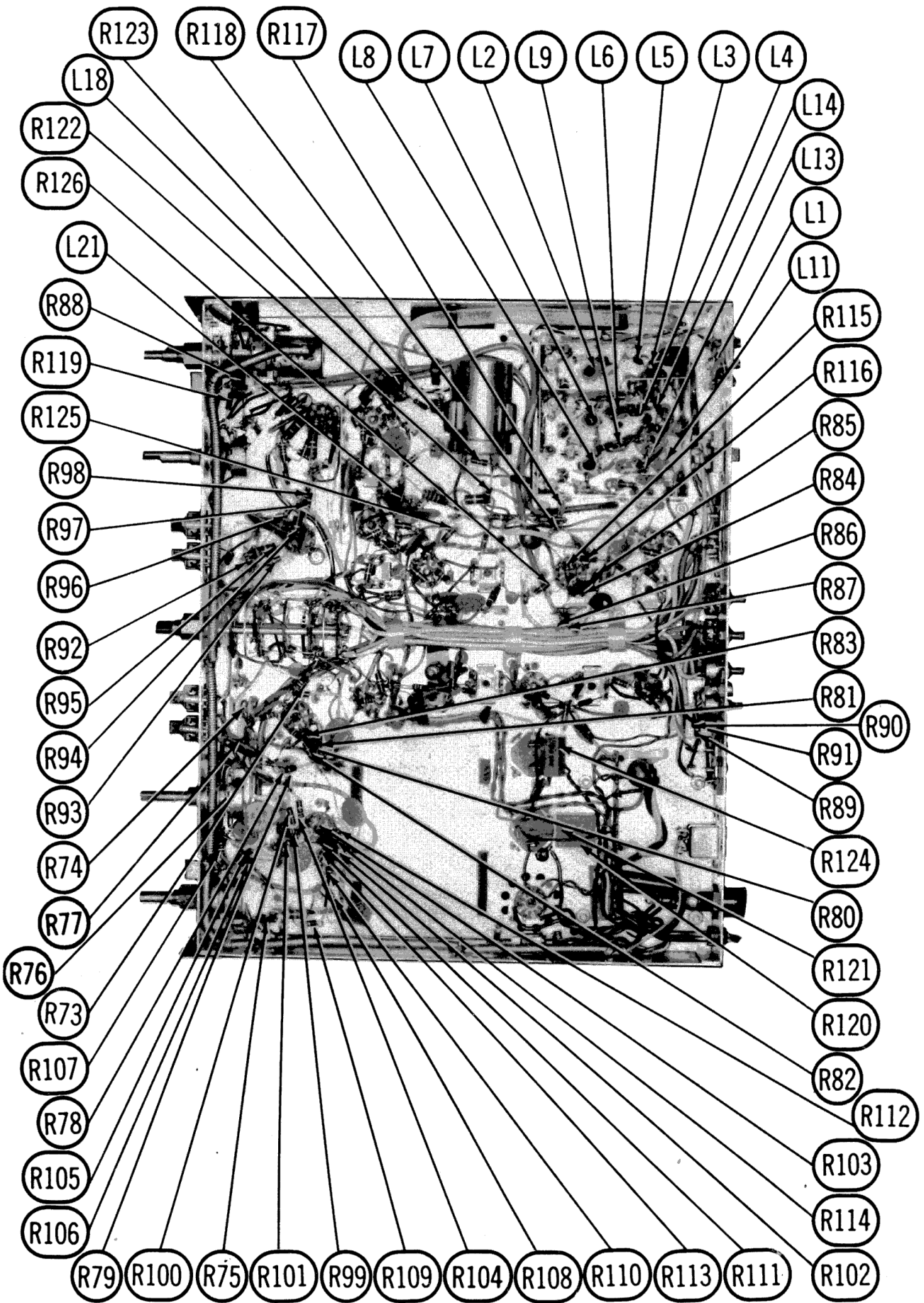


CHASSIS BOTTOM VIEW-RESISTOR IDENTIFICATION

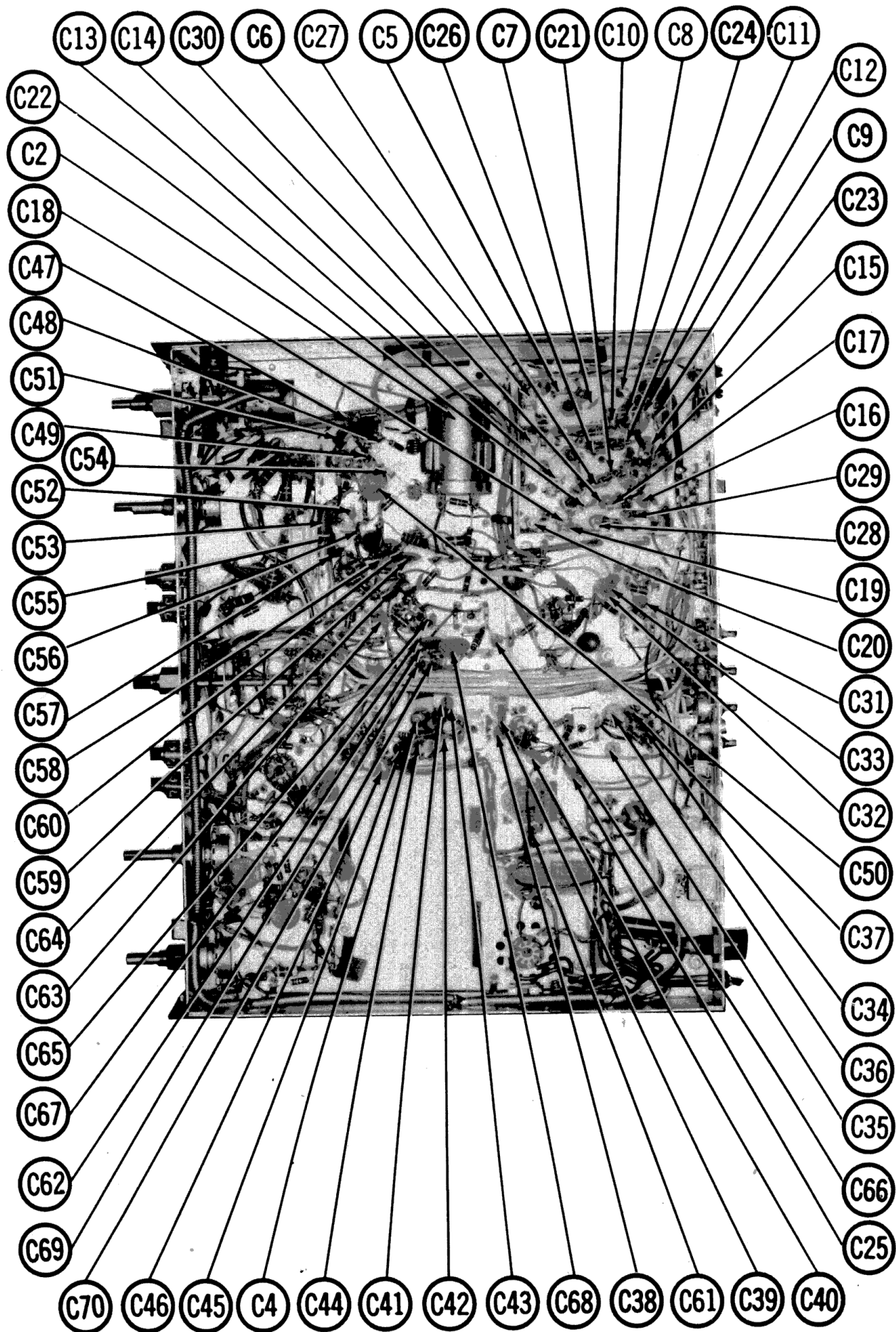


CHASSIS BOTTOM VIEW - CAPACITOR & MISC. IDENT.

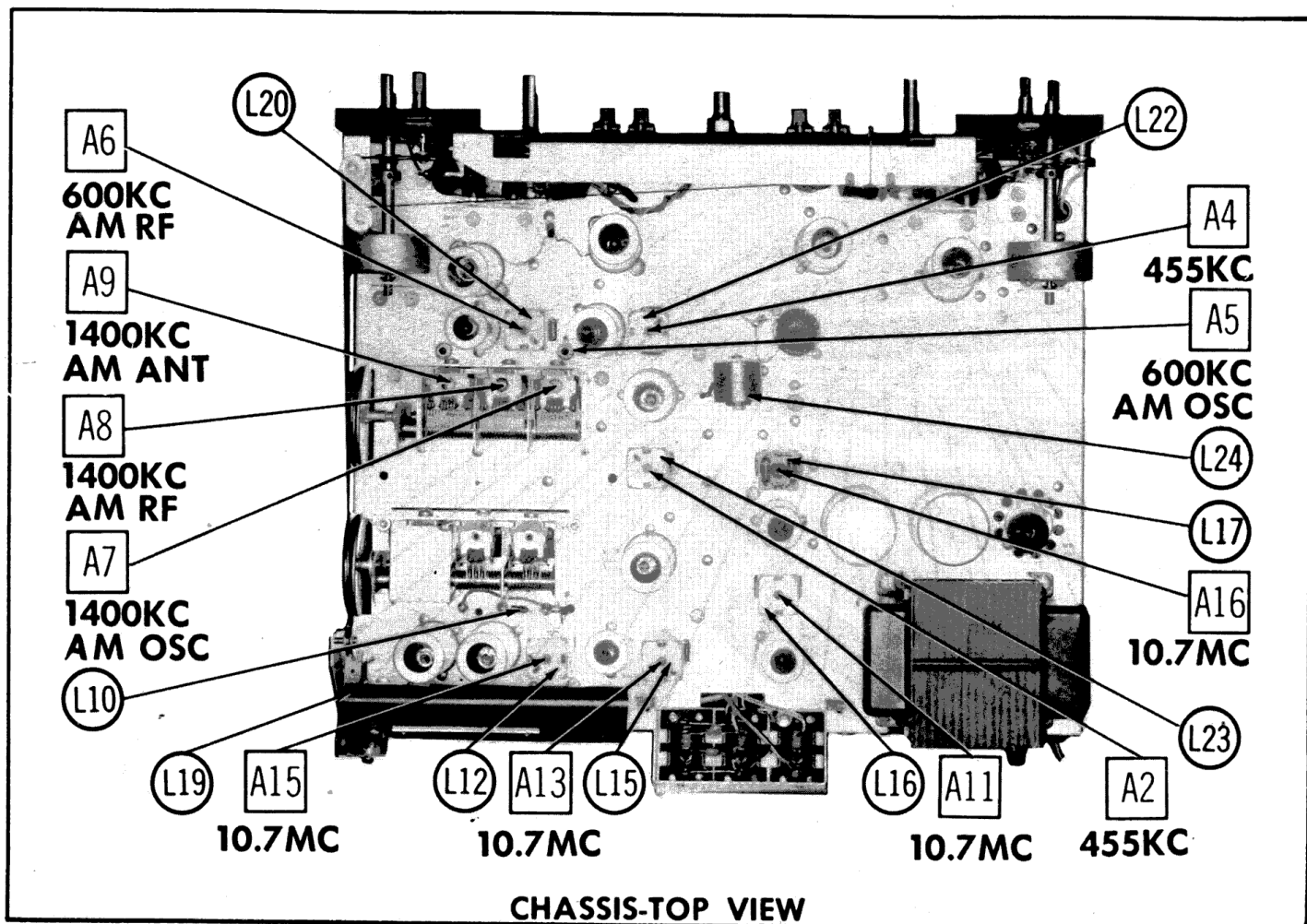
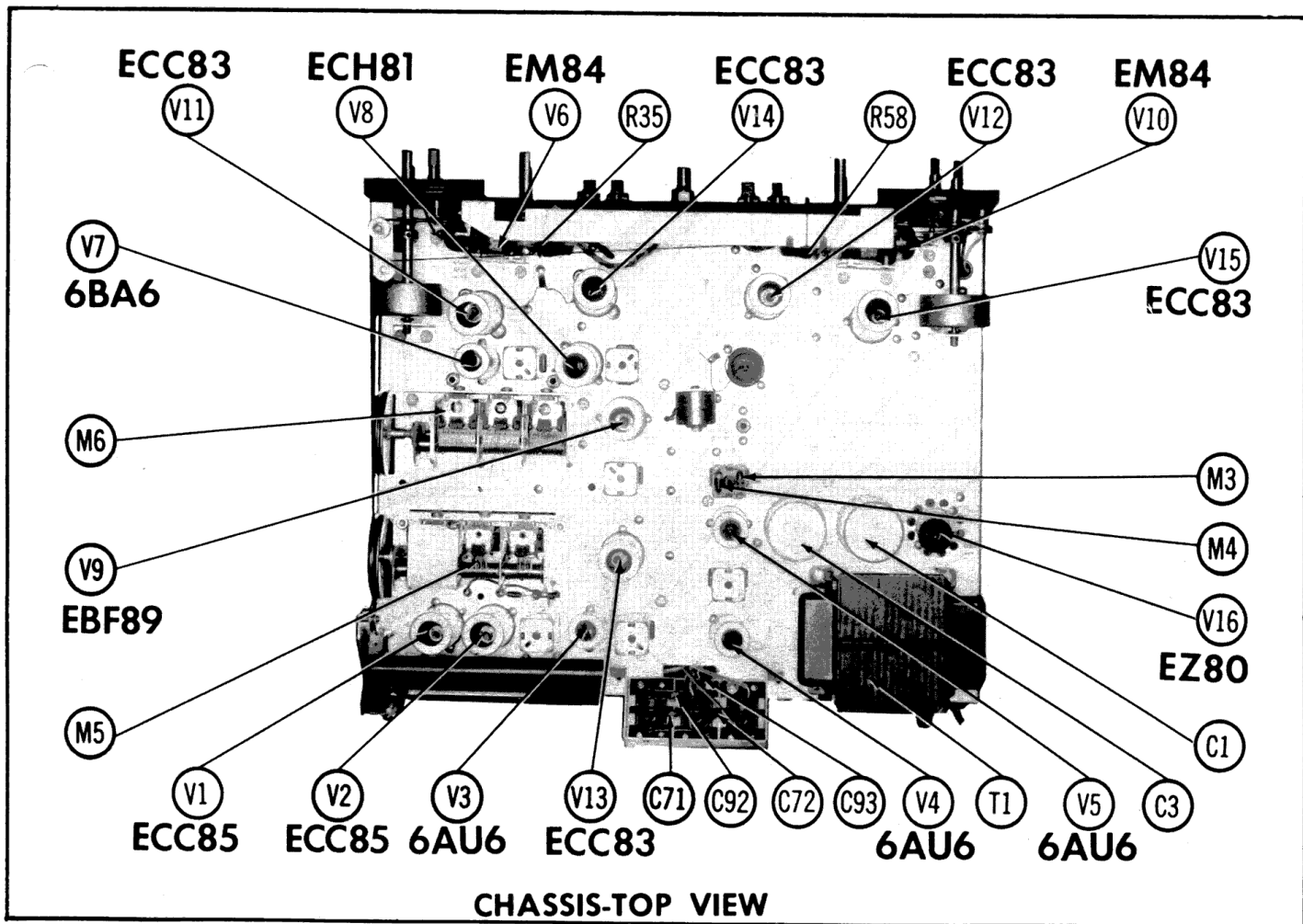
FISHER MODEL
100-T

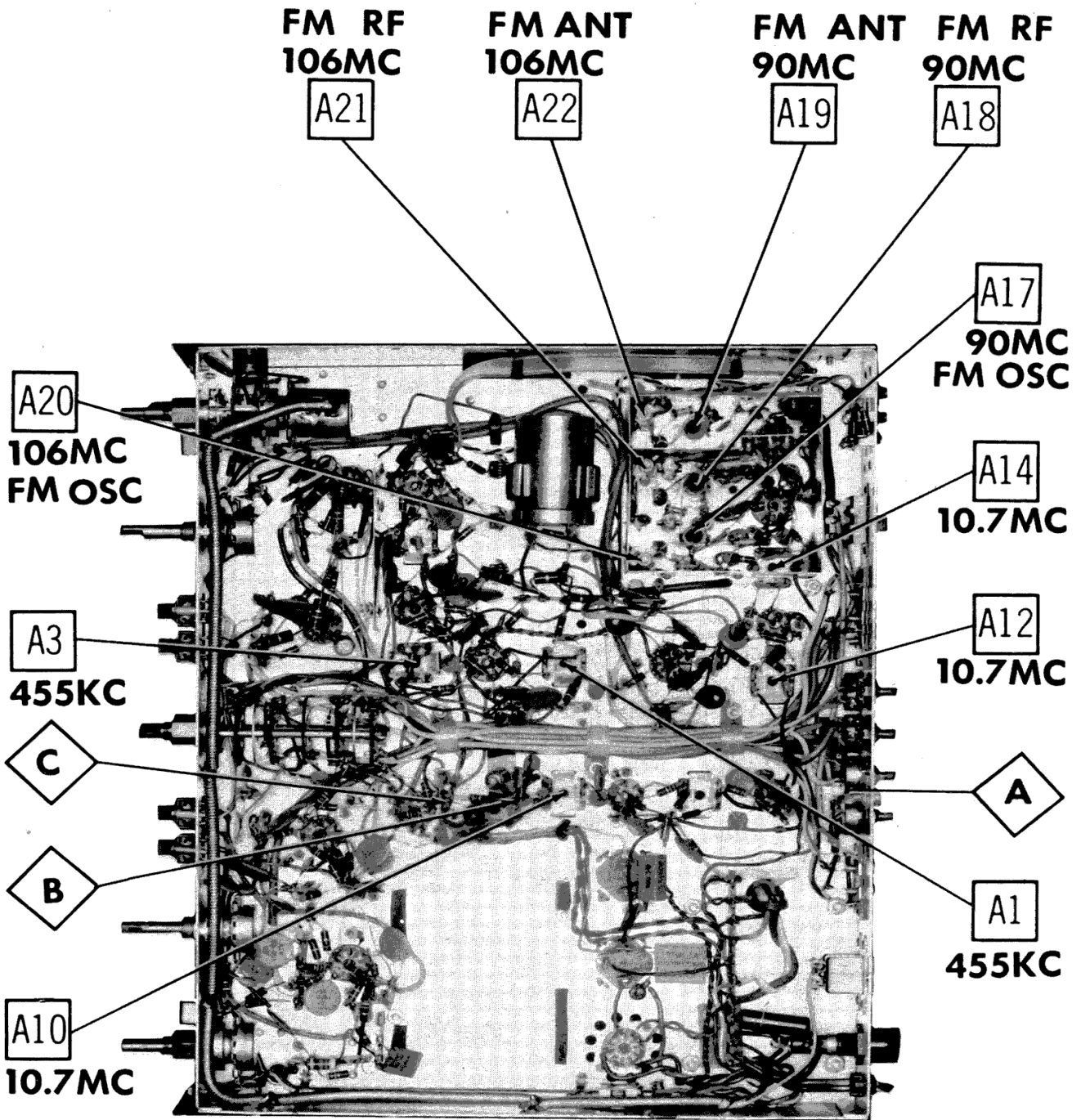


CHASSIS BOTTOM VIEW-RESISTOR AND INDUCTOR IDENTIFICATION

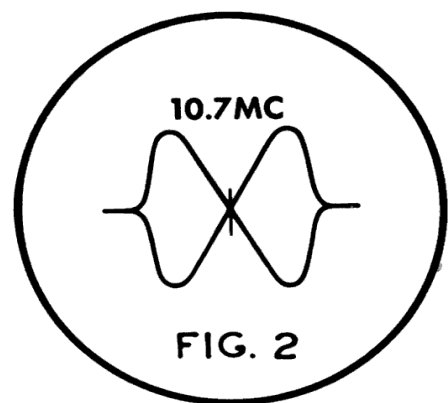
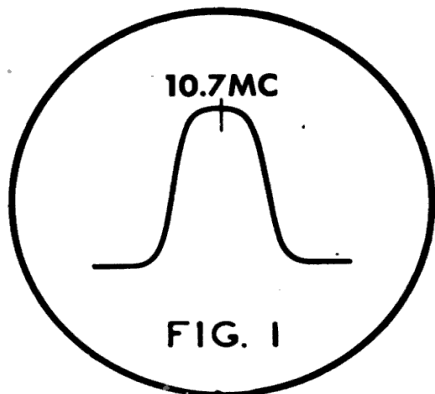


CHASSIS BOTTOM VIEW-CAPACITOR IDENTIFICATION

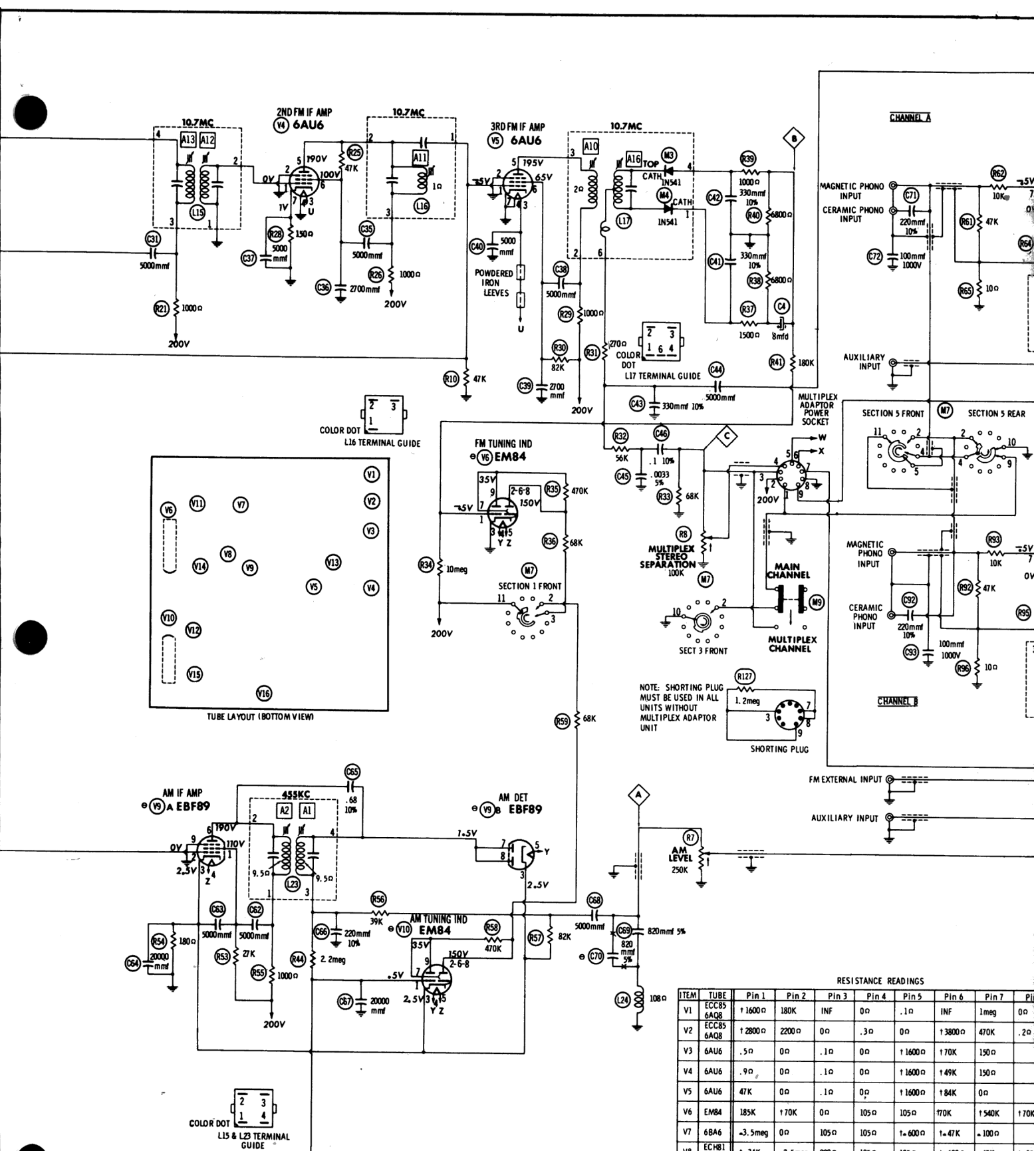




CHASSIS BOTTOM VIEW-ALIGNMENT IDENTIFICATION



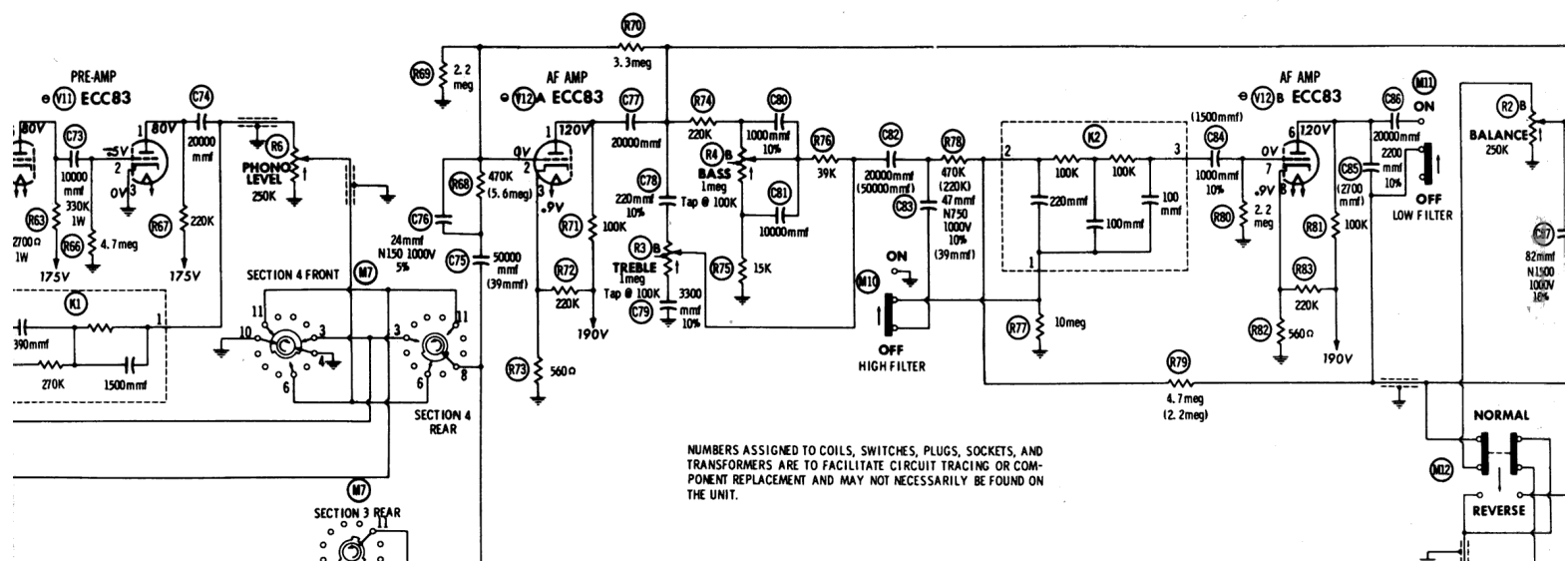
ALIGNMENT FIGURES



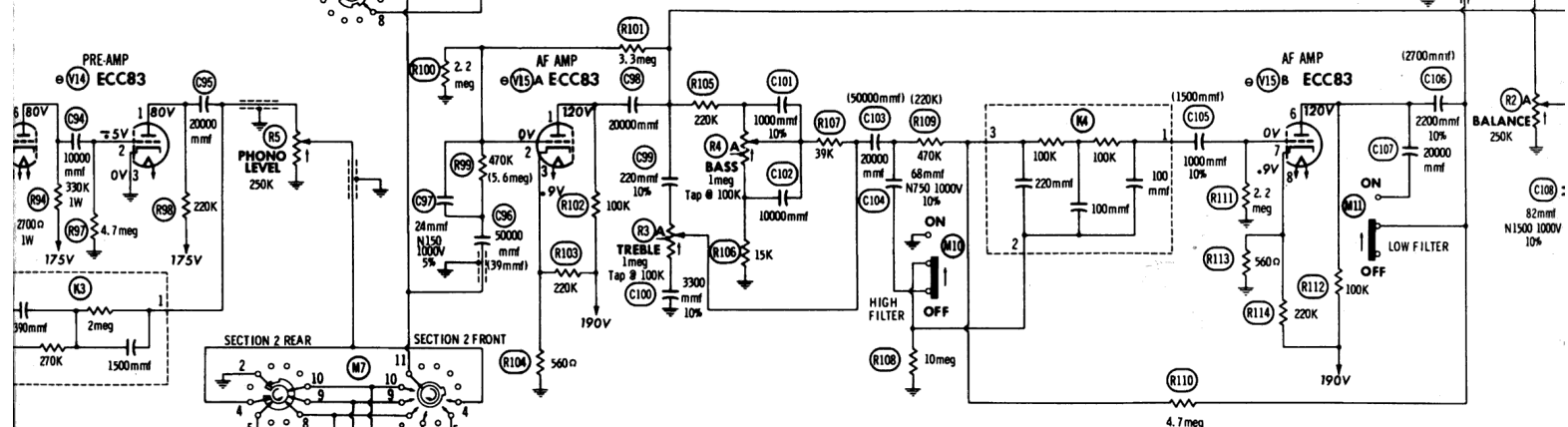
RESISTANCE READINGS

ITEM	TUBE	Pin 1	Pin 2	Pin 3	Pin 4	Pin 5	Pin 6	Pin 7	Pin 8	Pin 9
V1	ECC85 6AQ8	1600Ω	180K	INF	0Ω	.1Ω	INF	1meg	0Ω	
V2	ECC85 6AQ8	2800Ω	2200Ω	0Ω	.3Ω	0Ω	13800Ω	470K	.2Ω	
V3	6AU6	.5Ω	0Ω	.1Ω	0Ω	1600Ω	170K	150Ω		
V4	6AU6	.9Ω	0Ω	.1Ω	0Ω	1600Ω	149K	150Ω		
V5	6AU6	47K	0Ω	.1Ω	0Ω	1600Ω	184K	0Ω		
V6	EM84	185K	170K	0Ω	105Ω	105Ω	170K	1540K	170K	
V7	6BA6	-3.5meg	0Ω	105Ω	105Ω	1600Ω	147K	100Ω		
V8	ECH81 6AJ8	1.34K	-2.5meg	220Ω	105Ω	105Ω	1600Ω	47K	1.35	

ALL MEASUREMENTS TAKEN IN "FM" POSITION UNLESS OTHERWISE DESIGNATED.
 † THIS READING WILL VARY DEPENDING UPON THE CONDITION OF THE ELECTROLYTIC IN THE C.
 † MEASURED FROM PIN 3 OF V16. NC NO CONNECTION



NUMBERS ASSIGNED TO COILS, SWITCHES, PLUGS, SOCKETS, AND TRANSFORMERS ARE TO FACILITATE CIRCUIT TRACING OR COMPONENT REPLACEMENT AND MAY NOT NECESSARILY BE FOUND ON THE UNIT.



SELECTOR SWITCH (M7) SHOWN IN "MONAURAL PHONO" POSITION. SWITCH SEQUENCE:

1. MONAURAL PHONO
2. STEREO PHONO
3. AM
4. FM
5. FM-AM
6. FM MULTIPLEX
7. FM-FM
8. AUXILIARY STEREO
9. AUXILIARY MONAURAL

1. DC voltage measurements taken with vacuum tube voltmeter; AC voltages measured at 1000 ohms per volt.
2. Socket connections are shown as bottom views.
3. Measured values are from socket pin to common negative.
4. Line voltage maintained at 117 volts for voltage readings.
5. Nominal tolerance on component values makes possible a variation of +15% in voltage and resistance readings.
6. Volume control at maximum, no signal applied for voltage measurements.

SEE PARTS LIST FOR ALTERNATE VALUE OR APPLICATION

DC COIL RESISTANCE VALUES UNDER ONE OHM NOT SHOWN ON SCHEMATIC DIAGRAM

ARROWS ON CONTROLS INDICATE CLOCKWISE ROTATION (CONTROL VIEWED FROM SHAFT END)

RESISTANCE READINGS (CONT.)

ITEM	TUBE	Pin 1	Pin 2	Pin 3	Pin 4	Pin 5	Pin 6	Pin 7	Pin 8	Pin 9
V9	6DC8	+28K	7.8Ω	180Ω	105Ω	105Ω	+1600Ω	130K	130K	0Ω
V10	EM84	+2.5meg	+68K	180Ω	105Ω	105Ω	+68K	±540K	NC	+540K
V11	ECC83 12AX7	+230K	4.7meg	0Ω	14Ω	11Ω	+340K	57K	2700Ω	12.5Ω
V12	ECC83 12AX7	+100K	1.6meg	560Ω	14Ω	11Ω	+100K	2.2meg	560Ω	12.5Ω
V13	ECC83 12AX7	+100K	22meg	0Ω	105Ω	105Ω	+100K	22meg	0Ω	105Ω
V14	ECC83 12AX7	+230K	4.7meg	0Ω	11Ω	0Ω	+340K	57K	2700Ω	5.5Ω
V15	ECC83 12AX7	+100K	1.6meg	560Ω	11Ω	0Ω	+100K	2.2meg	560Ω	5.5Ω
V16	EZ80	87Ω	NC	1Ω	1Ω	0Ω	NC	82Ω	NC	NC

