

E-Plex Design Manual

Renegade - 3300XM KOKOPELLI

Renegade

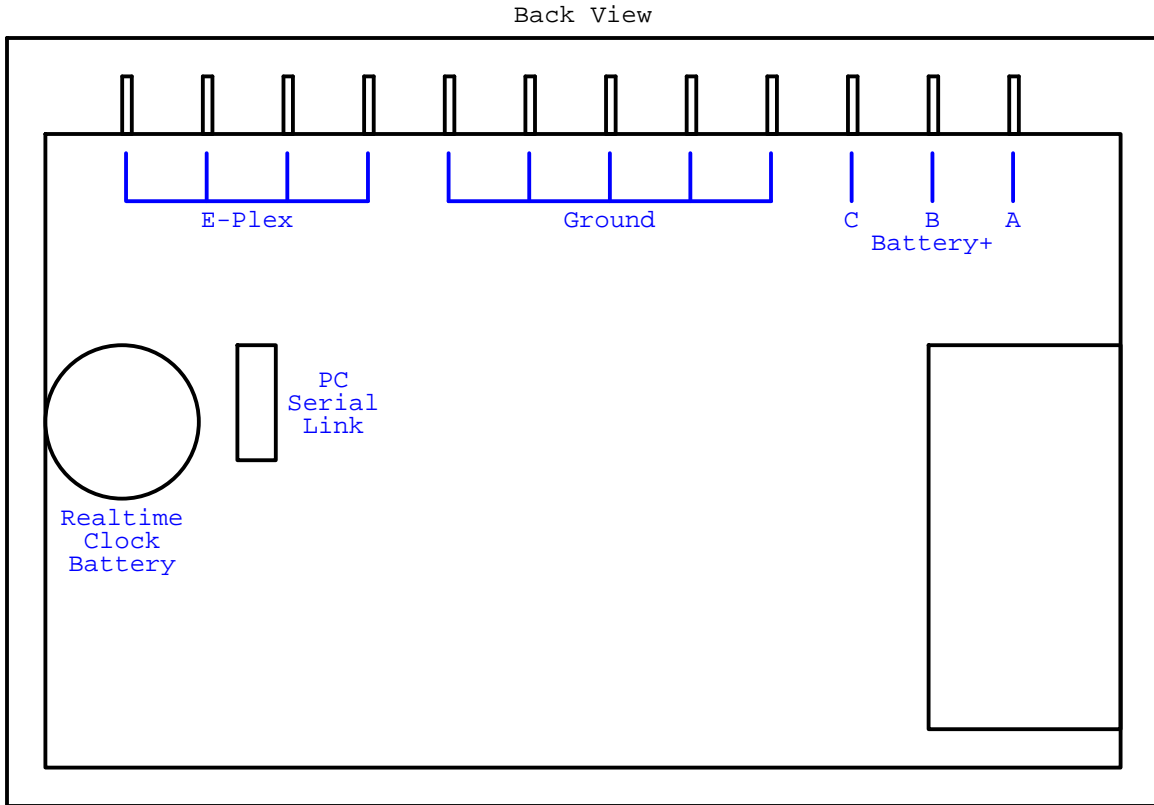
1

ELogic Design: 3300XM Kokopelli.elc
Issue: 1.0
ELogic Rev: v1.8.1

Address: 10

400ECM
E-Plex Clock Module

Location:

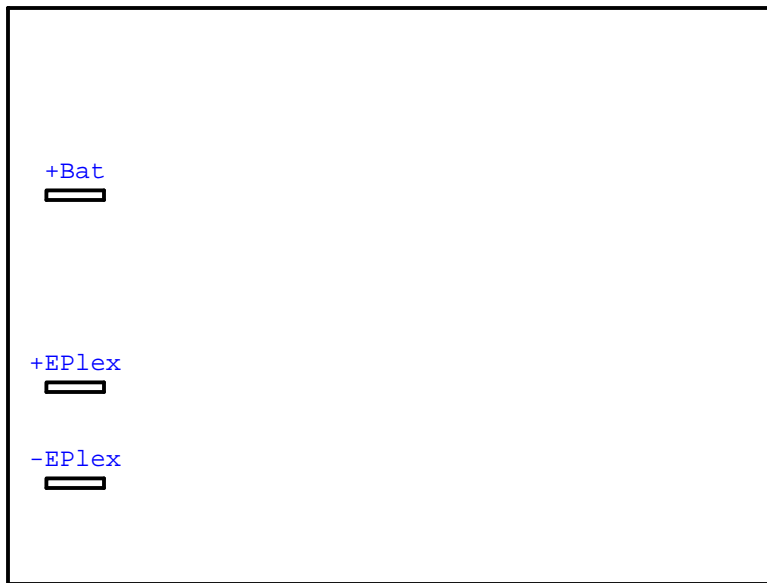


Clock will automatically take the highest voltage of A, B, or C and use that to supply the E-Plex signal. Clock battery connection should be fused at 5A.

Address: 110

345LCDC
5.7" LCD Display

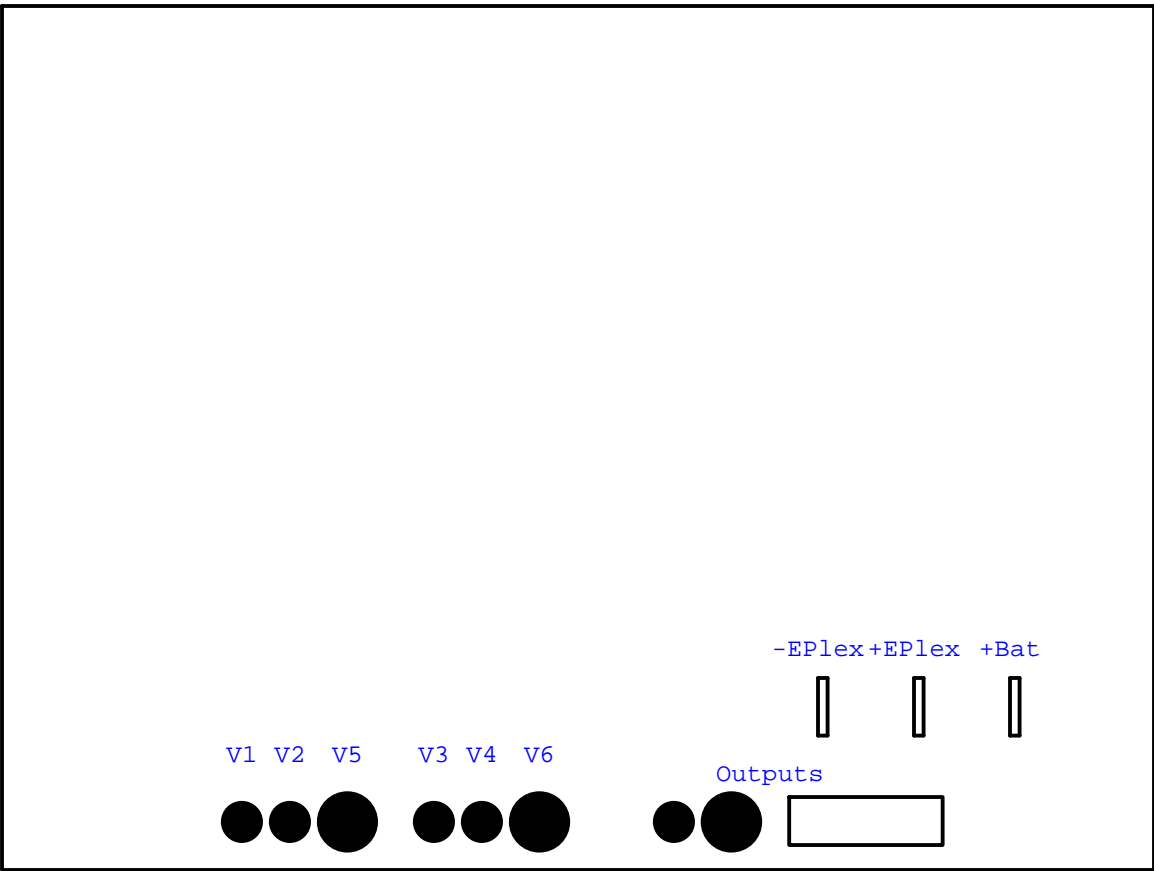
Location:



Address: 158

350LCD2
10" Transflective LCD

Location:



Address: 230

303TM1

Temperature Probe (Air)

Location:

Description: Zone 1 & 2 Temperature



Address: 240

303TM1

Temperature Probe (Air)

Location:

Description: Zone 3 Temperature



Address: 250

303TM1

Temperature Probe (Air)

Location:

Description: Outside Temperature



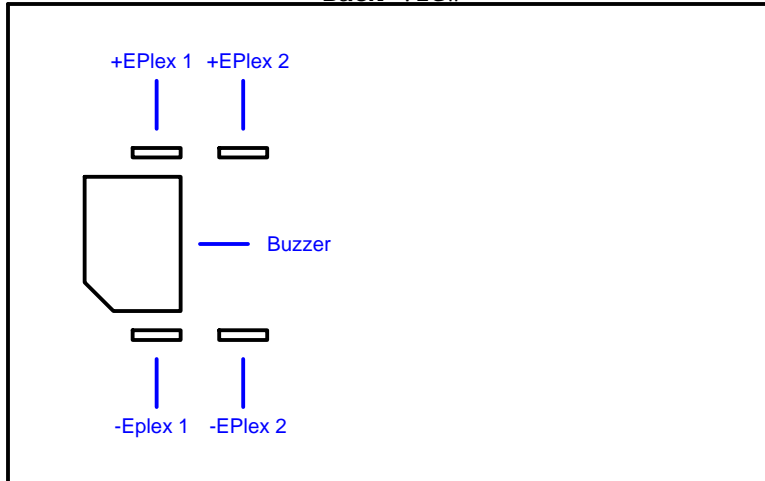
Address: 260

416TPS
Touch Panel Switch

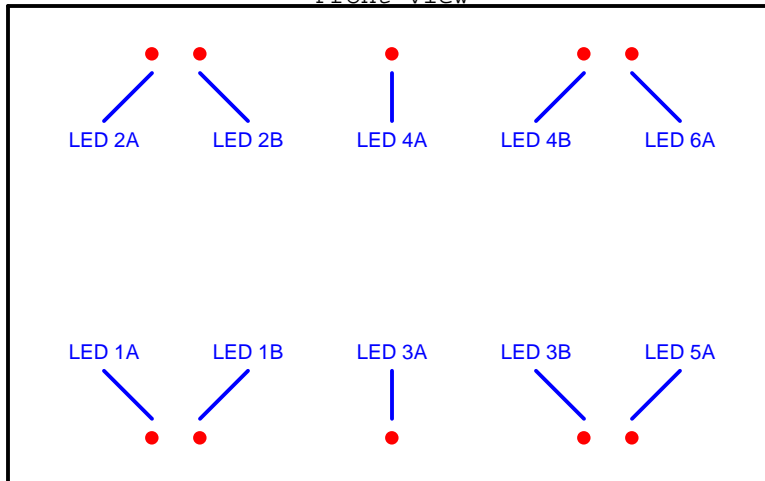
Location: Entrance

Description: Zone1-SP1b Control

Back View



Front View



- LED 1A:
- LED 2A:
- LED 3A:
- LED 4A:
- LED 5A:
- LED 6A:
- LED 1B:
- LED 2B:
- LED 3B:
- LED 4B:

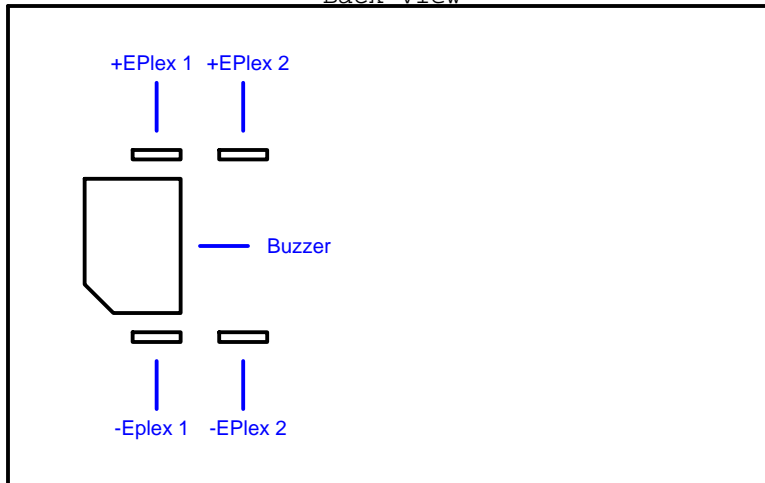
Address: 270

416TPS
Touch Panel Switch

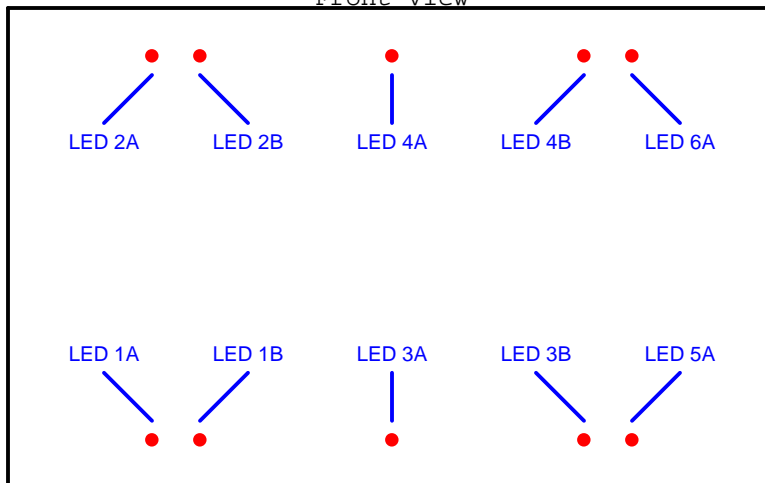
Location: Kitchen

Description: Zone1-SP1a Control

Back View



Front View



- LED 1A:
- LED 2A:
- LED 3A:
- LED 4A:
- LED 5A:
- LED 6A:
- LED 1B:
- LED 2B:
- LED 3B:
- LED 4B:

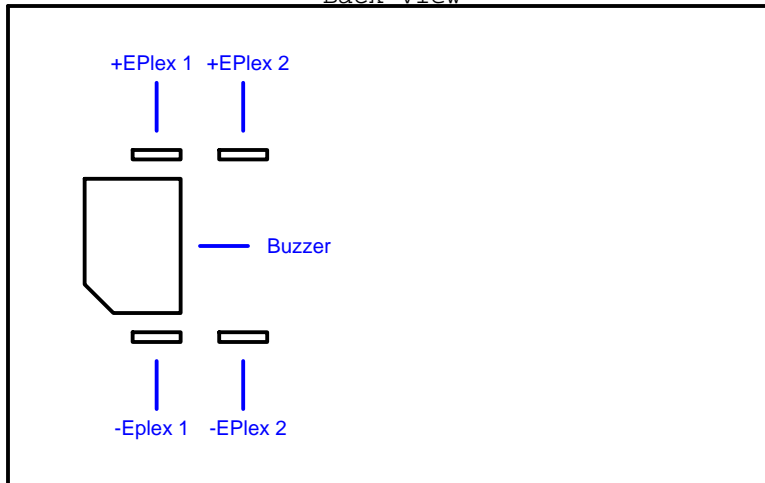
Address: 280

416TPS
Touch Panel Switch

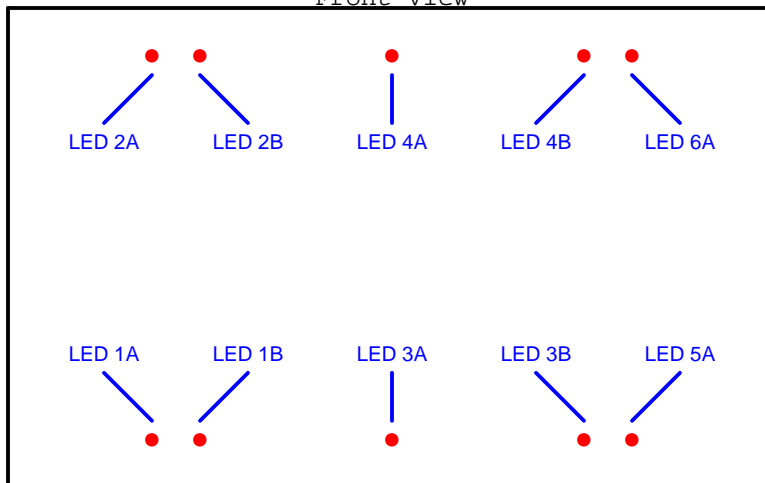
Location: Dining Slideout

Description: Zone1-SP1c Control

Back View



Front View



- LED 1A:
- LED 2A:
- LED 3A:
- LED 4A:
- LED 5A:
- LED 6A:
- LED 1B:
- LED 2B:
- LED 3B:
- LED 4B:

Address: 290

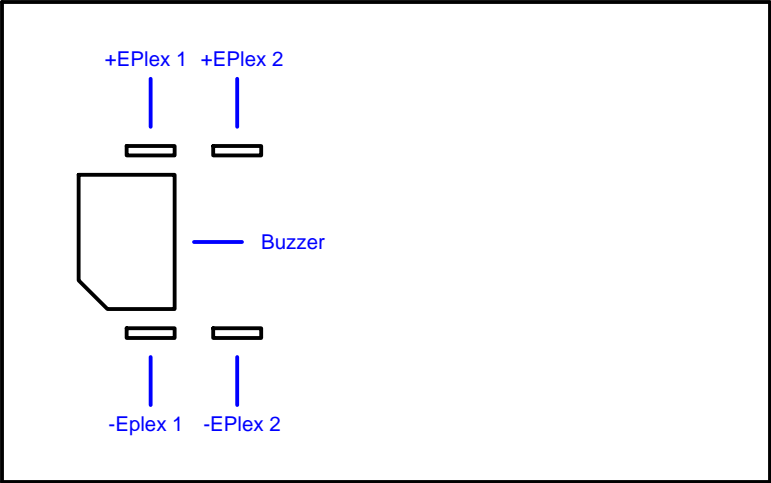
367TPD

Touch Panel Display

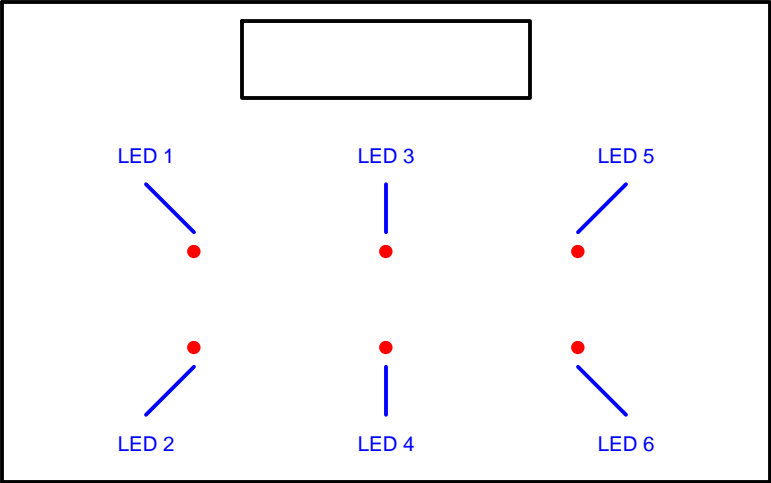
Location: Bathroom Door

Description: Zone1-SP2 Control

Back View



Front View



- LED 1:
- LED 2:
- LED 3:
- LED 4:
- LED 5:
- LED 6:

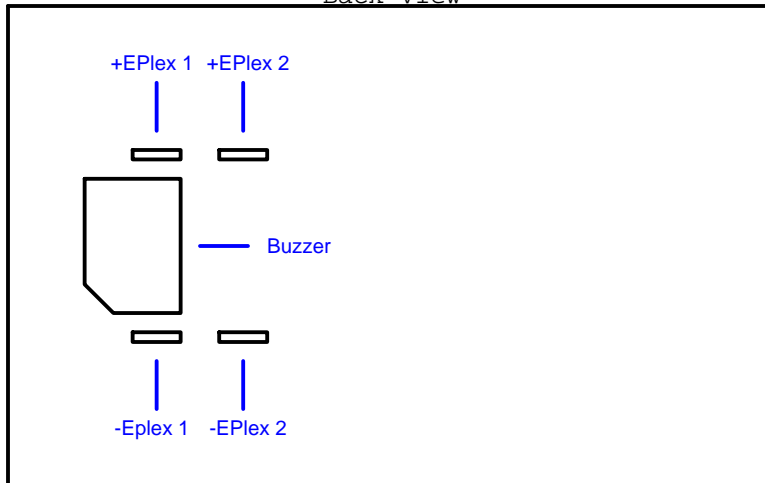
Address: 300

416TPS
Touch Panel Switch

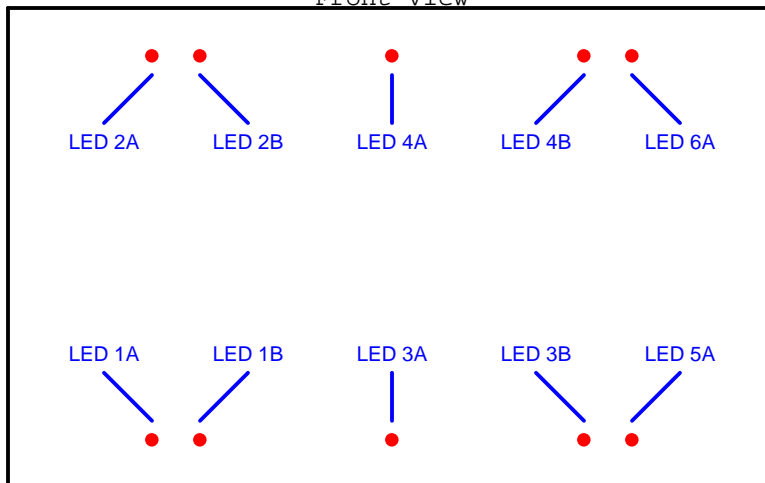
Location: Bathroom(Living side)

Description: SP3a

Back View



Front View



- LED 1A:
- LED 2A:
- LED 3A:
- LED 4A:
- LED 5A:
- LED 6A:
- LED 1B:
- LED 2B:
- LED 3B:
- LED 4B:

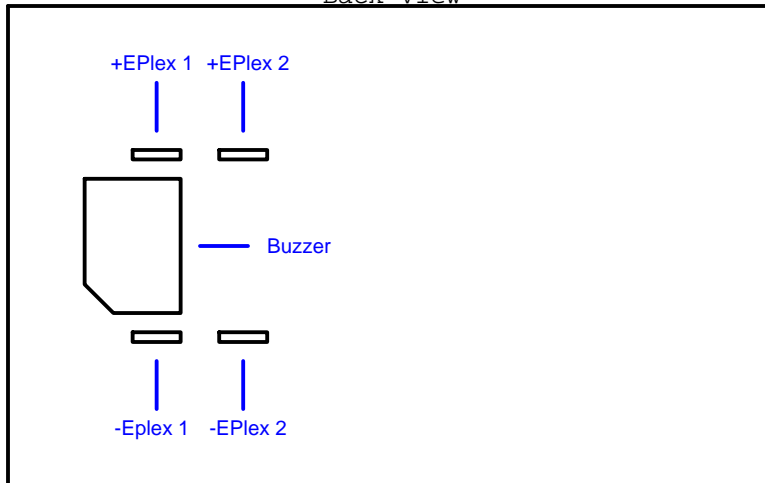
Address: 310

416TPS
Touch Panel Switch

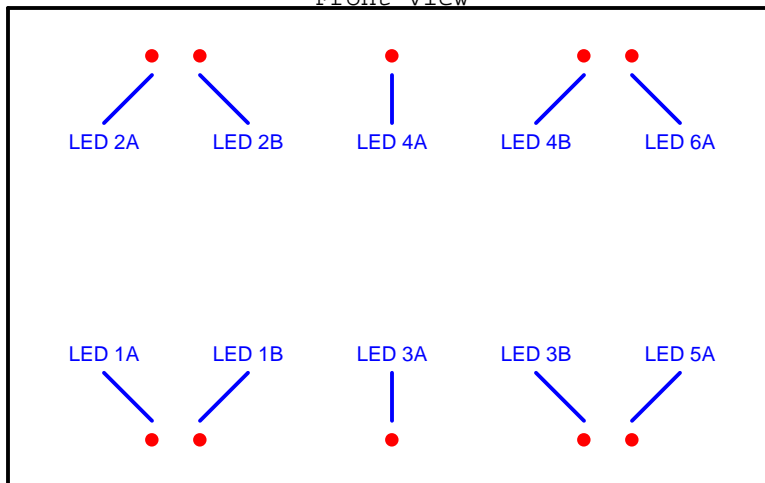
Location: Bathroom(Bedroom side)

Description: SP4a

Back View



Front View



- LED 1A:
- LED 2A:
- LED 3A:
- LED 4A:
- LED 5A:
- LED 6A:
- LED 1B:
- LED 2B:
- LED 3B:
- LED 4B:

Address: 320

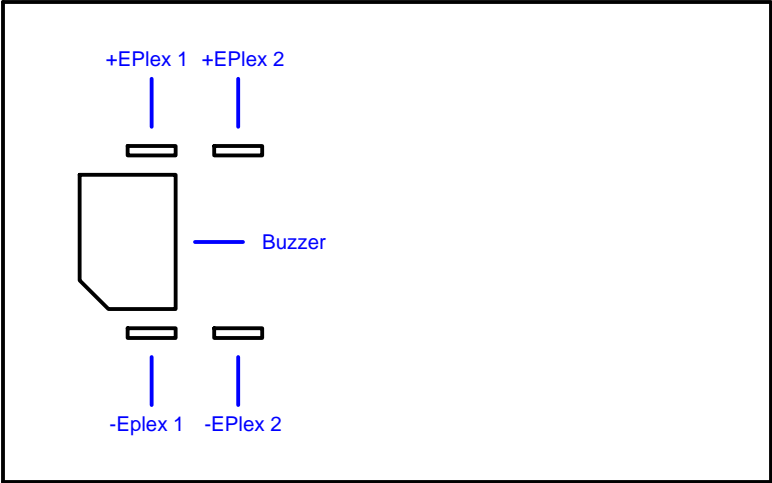
367TPD

Touch Panel Display

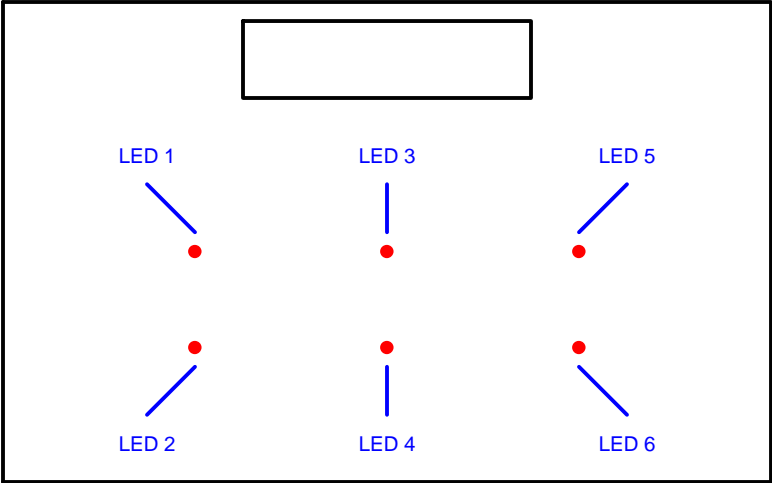
Location: Bedroom

Description: SP5b

Back View



Front View



- LED 1:
- LED 2:
- LED 3:
- LED 4:
- LED 5:
- LED 6:

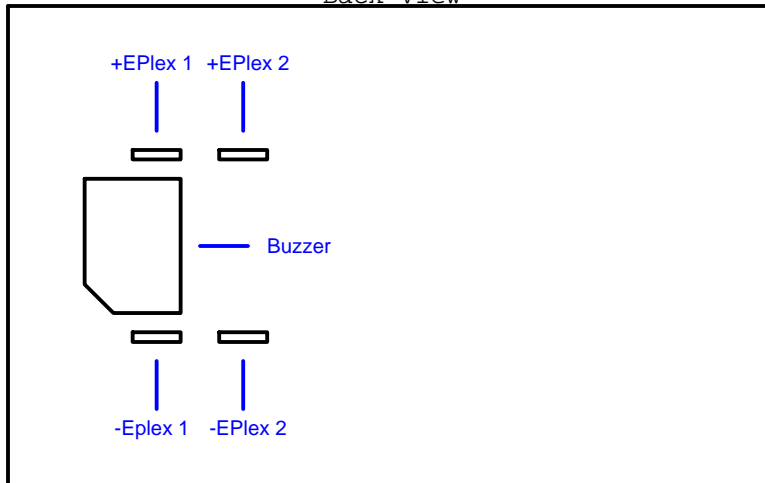
Address: 330

416TPS
Touch Panel Switch

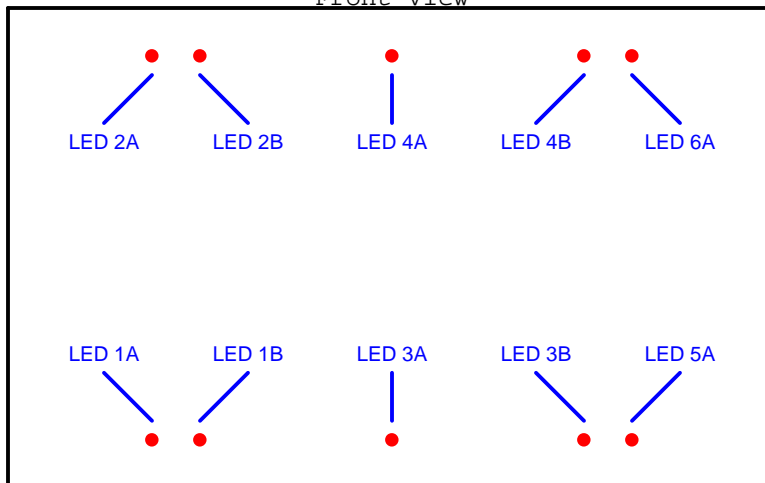
Location: Bedroom

Description: SP5a

Back View



Front View



- LED 1A:
- LED 2A:
- LED 3A:
- LED 4A:
- LED 5A:
- LED 6A:
- LED 1B:
- LED 2B:
- LED 3B:
- LED 4B:

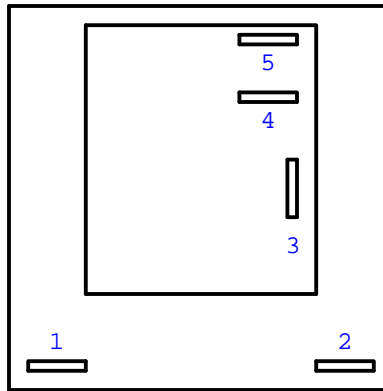
Address: 380

149CT30

Single Relay Module

Location: Storage Bay-Front

Description: Step Cover Control



Pin 1: +EPlex

Pin 2: -EPlex

Pin 3: Common Relay Contact

Pin 4: Normally Open Relay Contact - ZONE1A-STEP-FORWARD-RELAY

Pin 5: Normally Closed Relay Contact

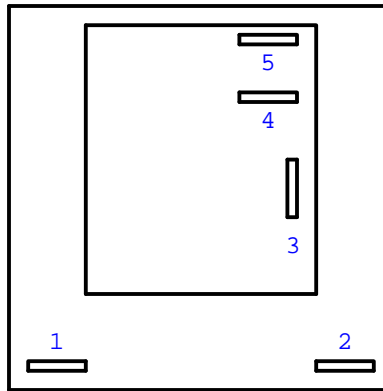
Address: 381

149CT30

Single Relay Module

Location: Storage Bay-Front

Description: Step Cover Control



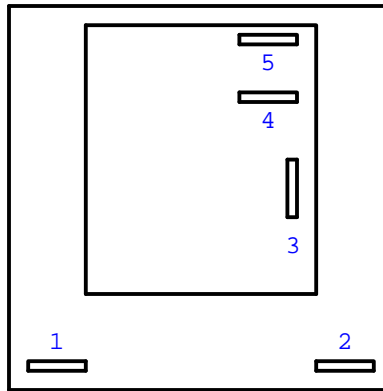
- Pin 1: +EPlex
- Pin 2: -EPlex
- Pin 3: Common Relay Contact
- Pin 4: Normally Open Relay Contact - ZONE1A-STEP-REVERSE-RELAY
- Pin 5: Normally Closed Relay Contact

Address: 382

149CT30
Single Relay Module

Location: Kitchen

Description: Garbage Disposal 120VAC



- Pin 1: +EPlex
- Pin 2: -EPlex
- Pin 3: Common Relay Contact
- Pin 4: Normally Open Relay Contact - ZONE1-DISPOSAL-SW-TOGGLE
- Pin 5: Normally Closed Relay Contact

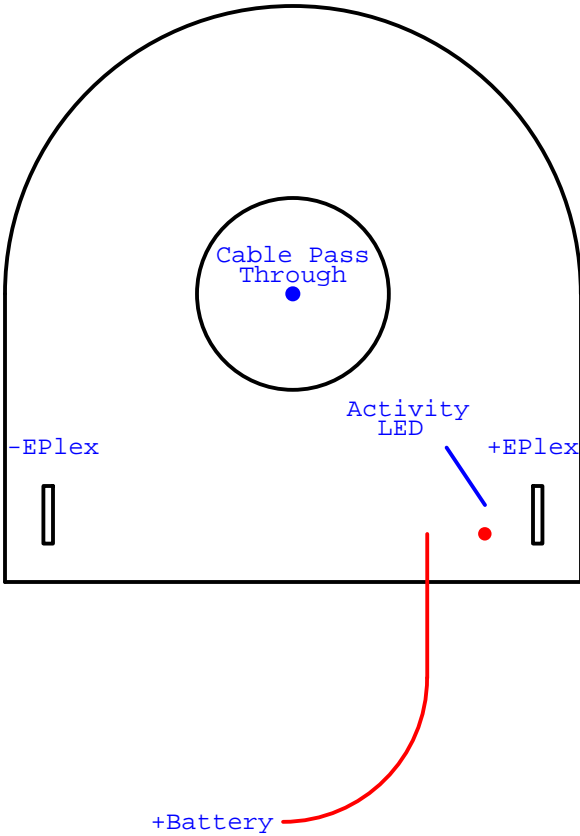
Address: 385

331BMI

Inductive Battery Monitor

Location:

Description: Inverter Monitor 1



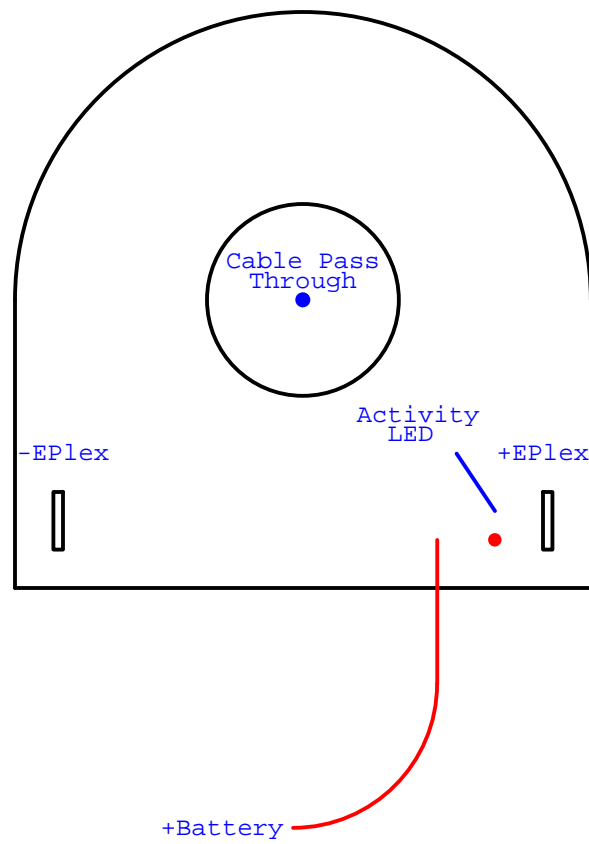
Address: 405

331BMI

Inductive Battery Monitor

Location:

Description: Inverter Monitor 2



Maximum Volts: 30.0V Maximum Current: 100A

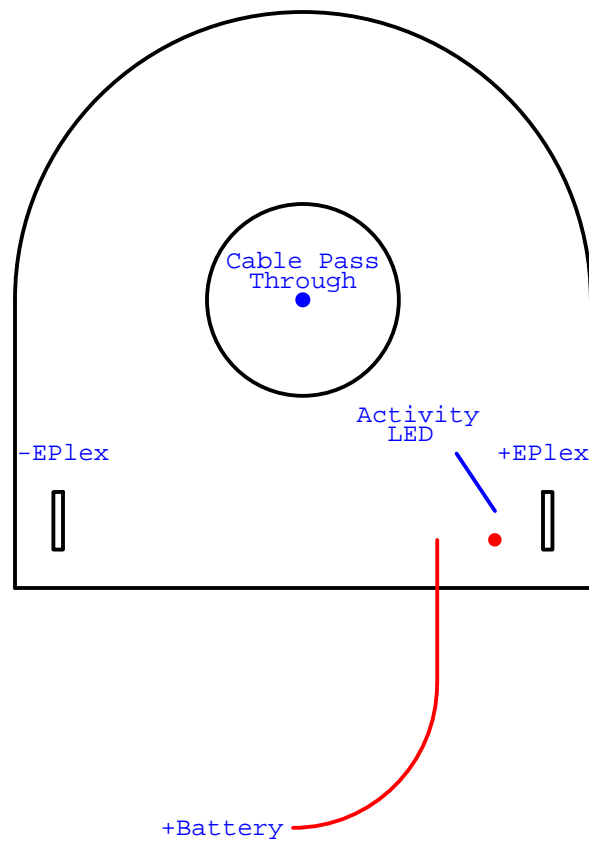
Address: 425

331BMI

Inductive Battery Monitor

Location:

Description: 12V Load Monitor



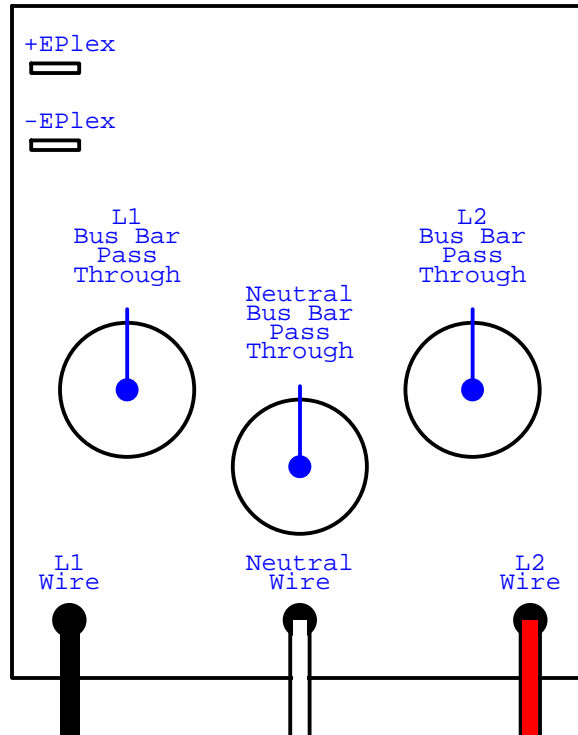
Maximum Volts: 30.0V Maximum Current: 100A

Address: 445

336PFM

Power Frequency Monitor

Location:



L1 (Black), NEUTRAL (White), and L2 (Red) wires must be electrically connected to read voltages.

L1 and L2 bus bars/cables must pass through openings to read current.

Neutral bus bar pass through is optional.

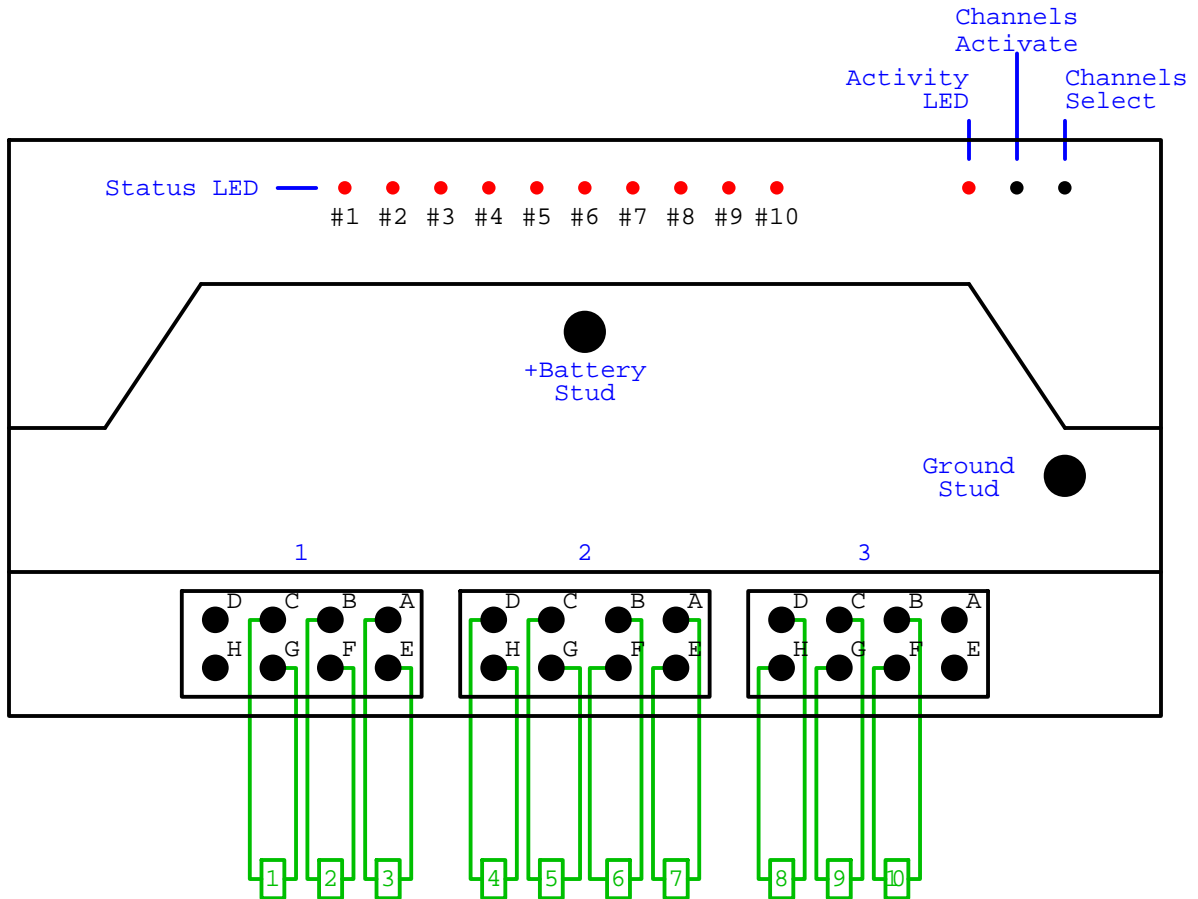
Maximum Volts: 250V Maximum Current: 100A

Address: 496

436MMX
Multimodule x10

Location: Bathroom Closet

Description: Zone1-Lighting Control



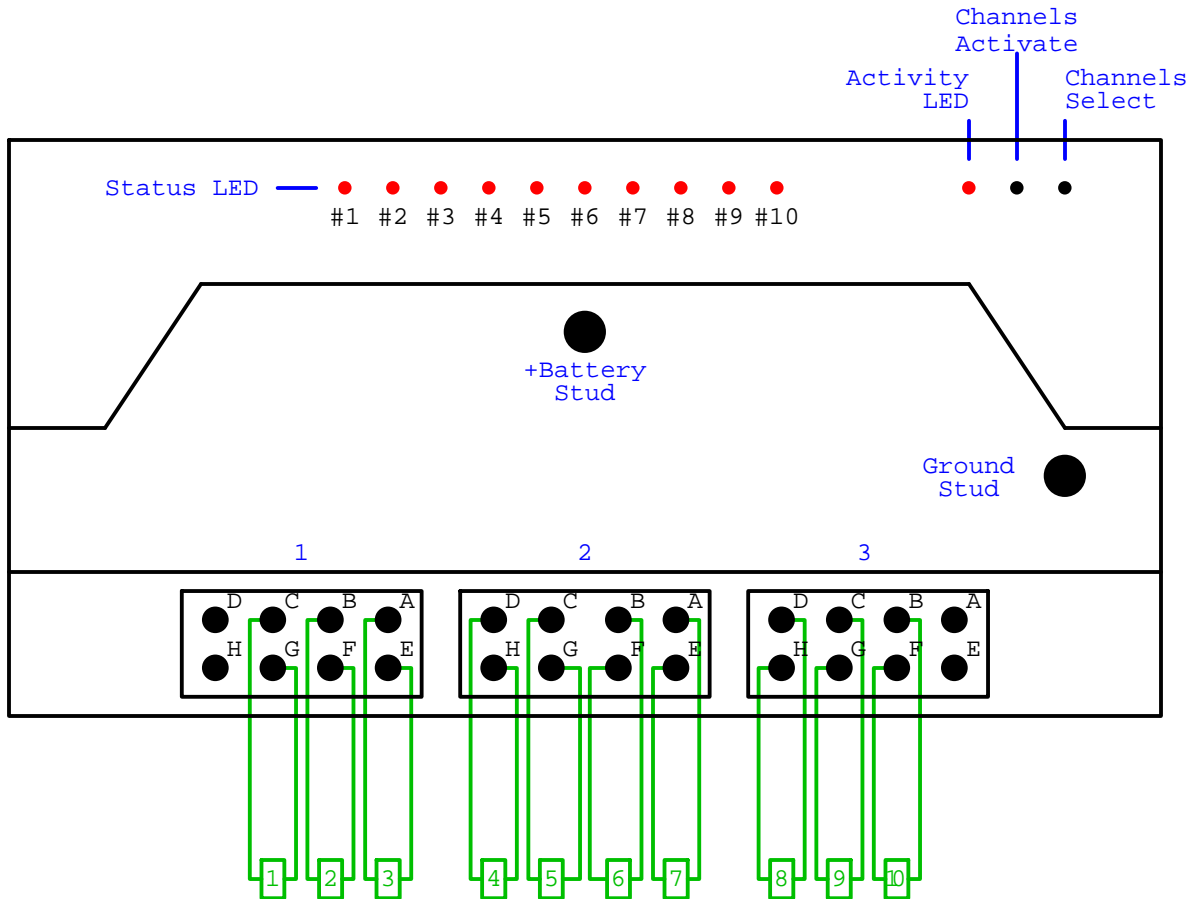
CH	CIRCUIT DESCRIPTION	AMPS	DEFAULT	O/CCT	FLT	TERMINALS
	E-PLEX DATA BUS					(1D:DATA+ / 1H:DATA-)
1:		5A	ON	NO		(1C:LOAD / 1G:RETURN)
2:		5A	NONE	NO		(1B:LOAD / 1F:RETURN)
3:		5A	NONE	NO		(1A:LOAD / 1E:RETURN)
4:		5A	NONE	NO		(2D:LOAD / 2H:RETURN)
5:	ZONE1-SW-A/C-LOW	15A	NONE	NO		(2C:LOAD / 2G:RETURN)
6:	ZONE1-SW-A/C-HIGH	15A	NONE	NO		(2B:LOAD / 2F:RETURN)
7:	ZONE1-SW-A/C1-COMP	5A	NONE	NO		(2A:LOAD / 2E:RETURN)
8:	ZONE1-SW-A/C-LOW	5A	NONE	NO		(3D:LOAD / 3H:RETURN)
9:	ZONE1-SW-A/C-HIGH	5A	NONE	NO		(3C:LOAD / 3G:RETURN)
10:	ZONE1-SW-A/C2-COMP	5A	NONE	NO		(3B:LOAD / 3F:RETURN)
	E-PLEX DATA BUS					(3A:DATA+ / 3E:DATA-)

Address: 518

436MMX
Multimodule x10

Location: Dining Slideout

Description: Zone1-Lighting/Awning Control



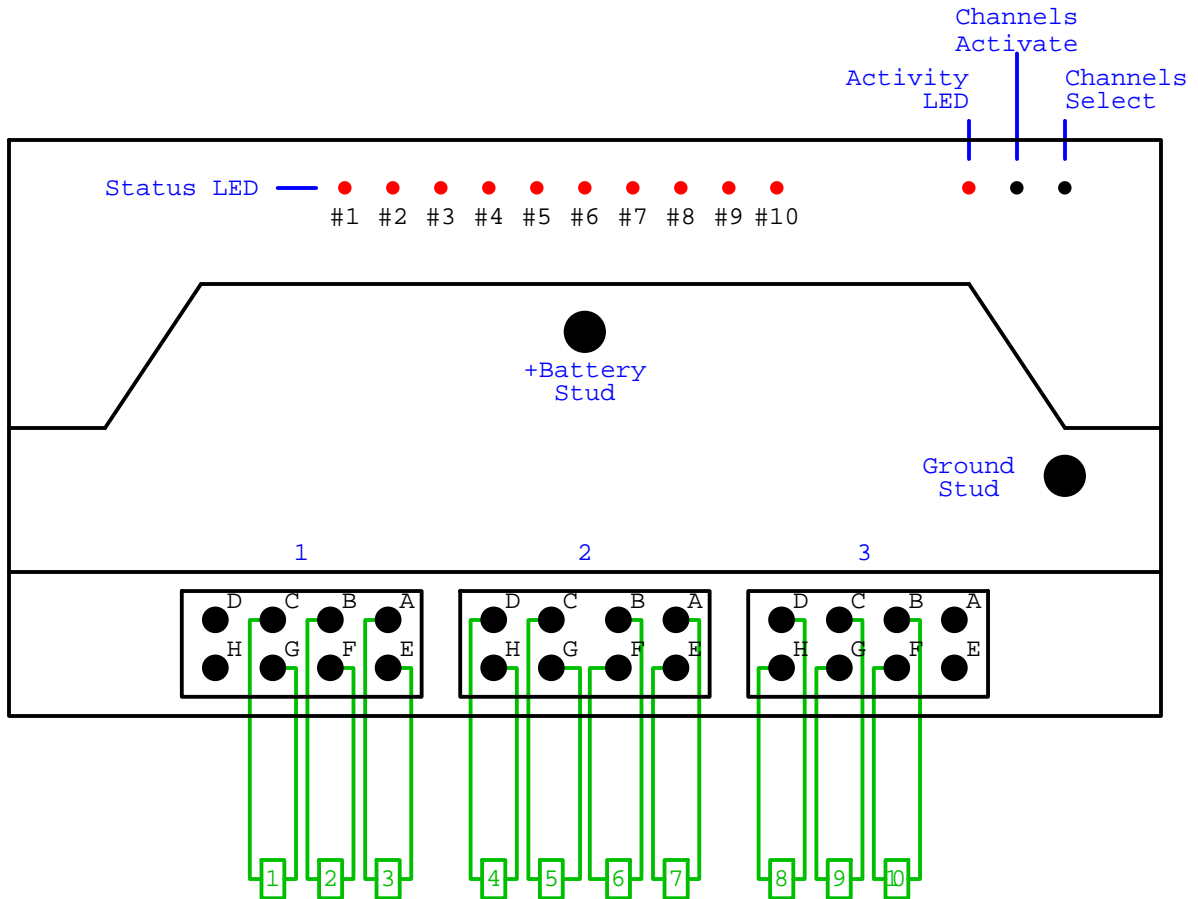
CH	CIRCUIT DESCRIPTION	AMPS	DEFAULT	O/CCT	FLT	TERMINALS
	E-PLEX DATA BUS					(1D:DATA+ / 1H:DATA-)
1:		0A	NONE	NO		(1C:LOAD / 1G:RETURN)
2:		0A	NONE	NO		(1B:LOAD / 1F:RETURN)
3:		0A	NONE	NO		(1A:LOAD / 1E:RETURN)
4:		0A	NONE	NO		(2D:LOAD / 2H:RETURN)
5:	OUTSIDE-A1-SW-IN	0A	NONE	NO		(2C:LOAD / 2G:RETURN)
6:	OUTSIDE-A1-SW-OUT	0A	NONE	NO		(2B:LOAD / 2F:RETURN)
7:		0A	NONE	NO		(2A:LOAD / 2E:RETURN)
8:		0A	NONE	NO		(3C:LOAD / 3H:RETURN)
9:		0A	NONE	NO		(3C:LOAD / 3G:RETURN)
10:		0A	NONE	NO		(3B:LOAD / 3F:RETURN)
	E-PLEX DATA BUS					(3A:DATA+ / 3E:DATA-)

Address: 540

436MMX
Multimodule x10

Location: Bathroom Closet

Description: Zone2-Bathroom Control



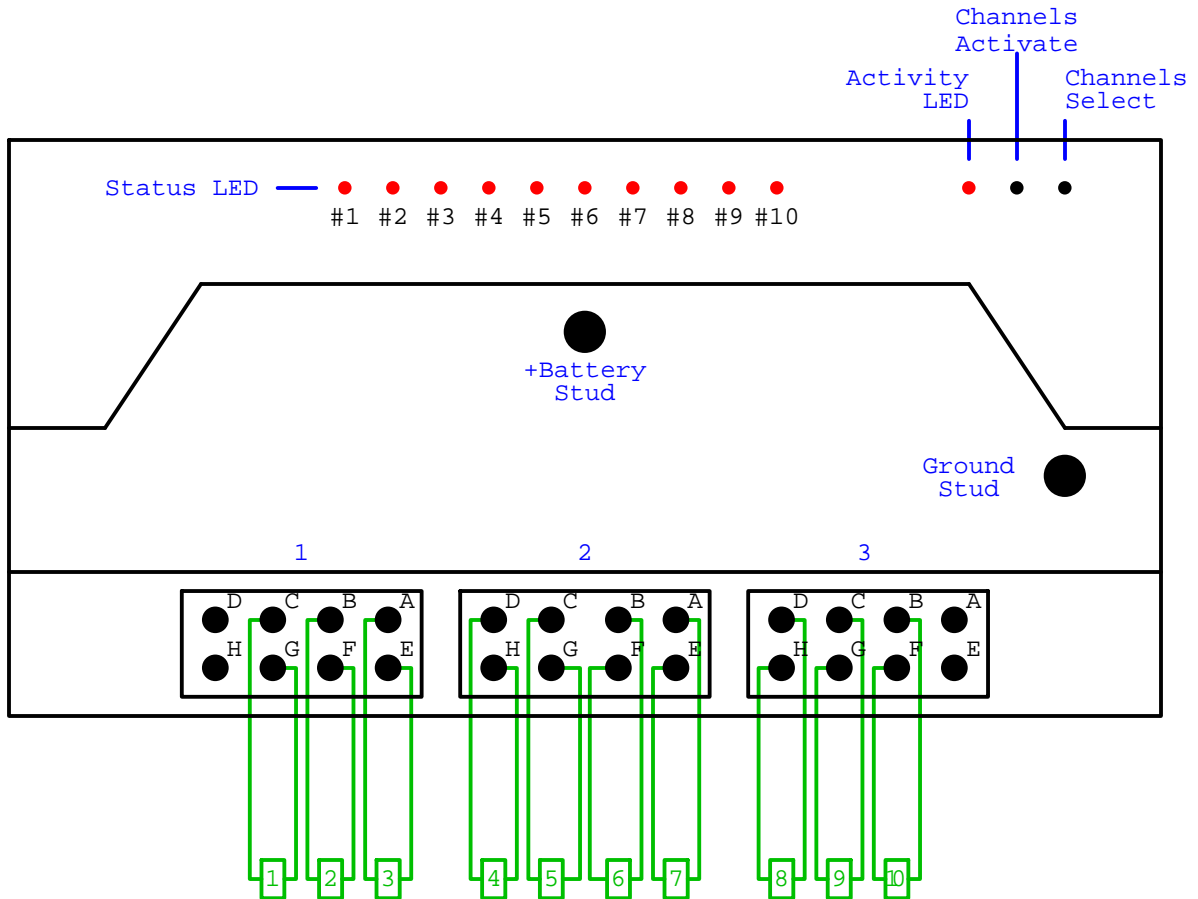
CH	CIRCUIT DESCRIPTION	AMPS	DEFAULT	O/CCT	FLT	TERMINALS
	E-PLEX DATA BUS					(1D:DATA+ / 1H:DATA-)
1:		0A	NONE	NO		(1C:LOAD / 1G:RETURN)
2:		0A	NONE	NO		(1B:LOAD / 1F:RETURN)
3:		0A	NONE	NO		(1A:LOAD / 1E:RETURN)
4:		0A	NONE	NO		(2D:LOAD / 2H:RETURN)
5:		0A	NONE	NO		(2C:LOAD / 2G:RETURN)
6:		0A	NONE	NO		(2B:LOAD / 2F:RETURN)
7:	ZONE2-PD1-ON-OPEN	0A	NONE	NO		(2A:LOAD / 2E:RETURN)
8:	ZONE2-PD1-ON-CLOSE	0A	NONE	NO		(3D:LOAD / 3H:RETURN)
9:	ZONE2-PD2-ON-OPEN	0A	NONE	NO		(3C:LOAD / 3G:RETURN)
10:	ZONE2-PD2-ON-CLOSE	0A	NONE	NO		(3B:LOAD / 3F:RETURN)
	E-PLEX DATA BUS					(3A:DATA+ / 3E:DATA-)

Address: 562

436MMX
Multimodule x10

Location: Bathroom Closet

Description: Zone3-Bedroom Control



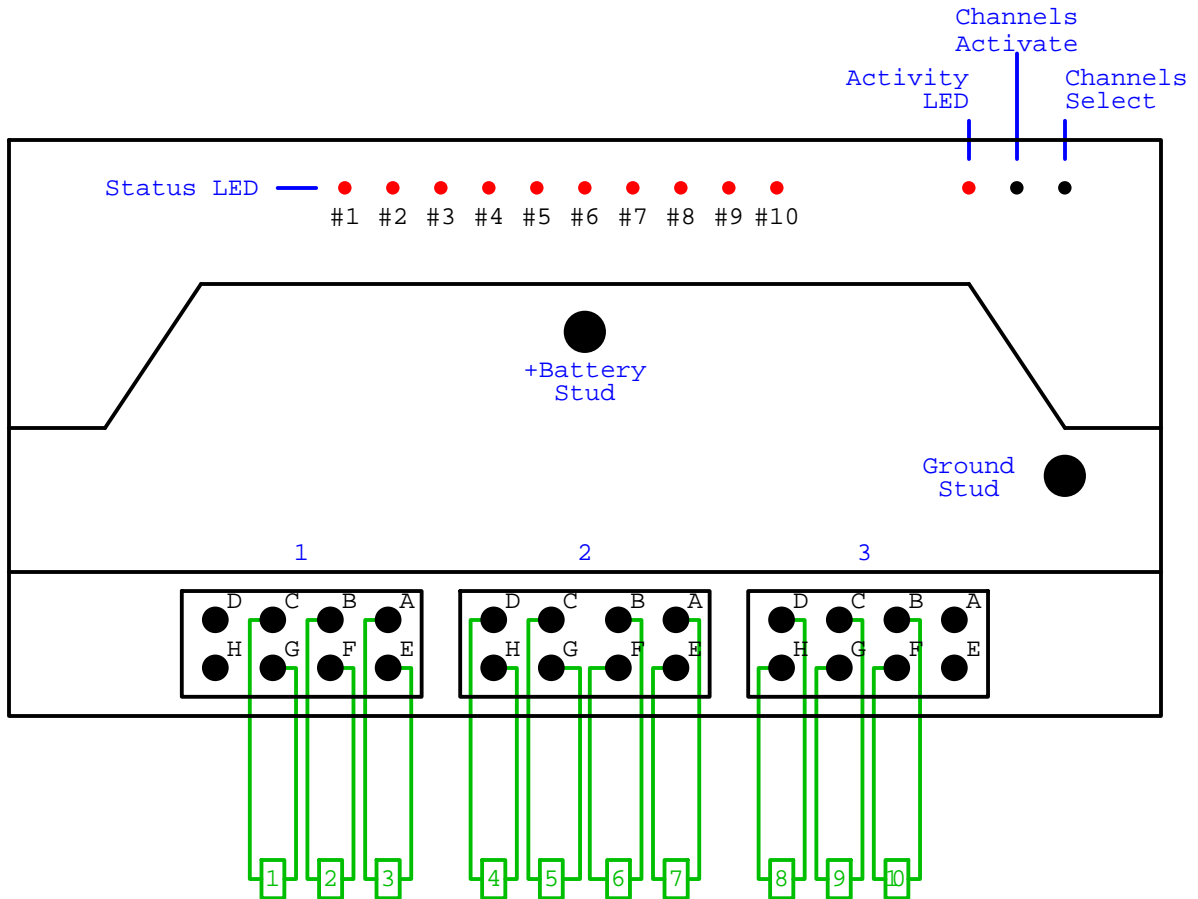
CH	CIRCUIT DESCRIPTION	AMPS	DEFAULT	O/CCT	FLT	TERMINALS
	E-PLEX DATA BUS					(1D:DATA+ / 1H:DATA-)
1:		0A	NONE	NO		(1C:LOAD / 1G:RETURN)
2:		0A	NONE	NO		(1B:LOAD / 1F:RETURN)
3:		0A	NONE	NO		(1A:LOAD / 1E:RETURN)
4:		0A	NONE	NO		(2D:LOAD / 2H:RETURN)
5:		0A	NONE	NO		(2C:LOAD / 2G:RETURN)
6:		0A	NONE	NO		(2B:LOAD / 2F:RETURN)
7:		0A	NONE	NO		(2A:LOAD / 2E:RETURN)
8:		0A	NONE	NO		(3D:LOAD / 3H:RETURN)
9:		0A	NONE	NO		(3C:LOAD / 3G:RETURN)
10:		0A	NONE	NO		(3B:LOAD / 3F:RETURN)
	E-PLEX DATA BUS					(3A:DATA+ / 3E:DATA-)

Address: 584

436MMX
Multimodule x10

Location: Bathroom Closet

Description: Zone0-Storage Bay Control



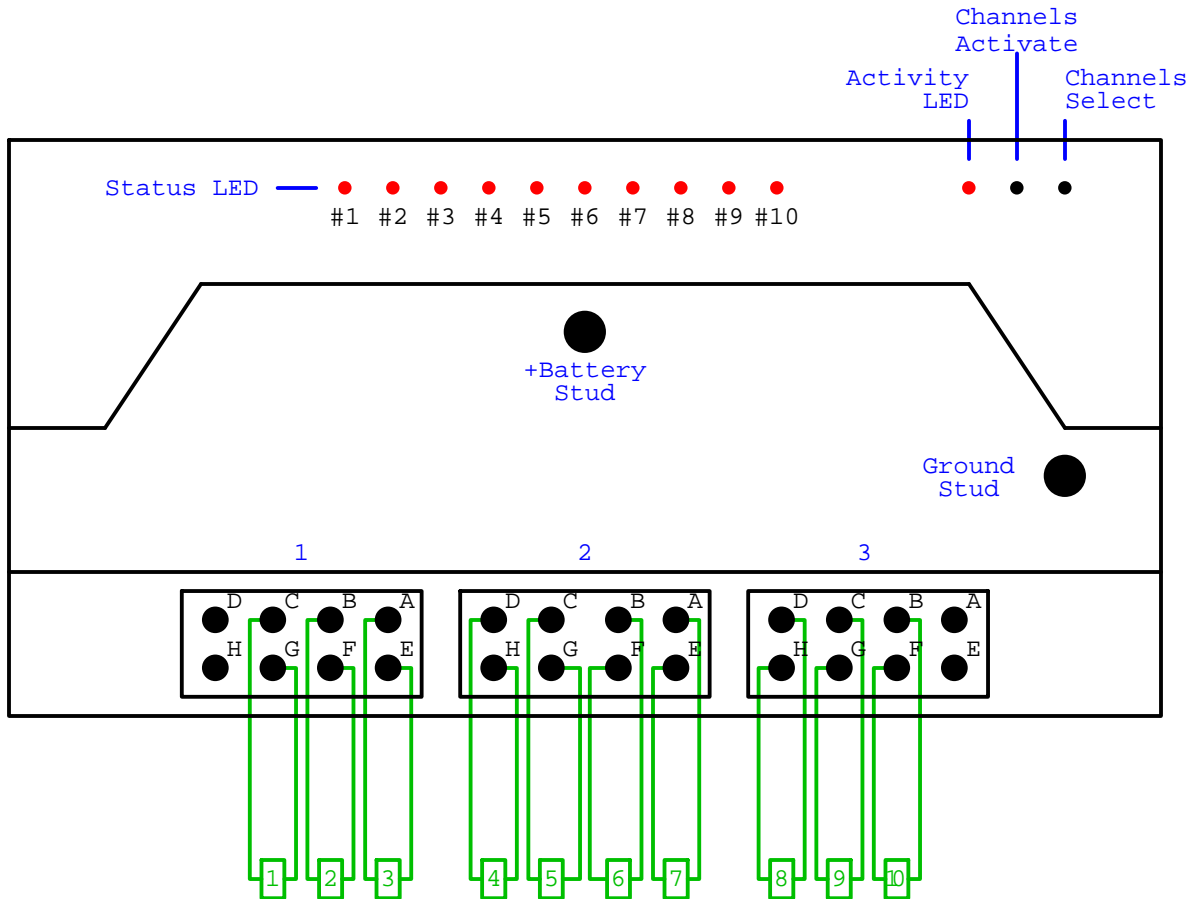
CH	CIRCUIT DESCRIPTION	AMPS	DEFAULT	O/CCT	FLT	TERMINALS
	E-PLEX DATA BUS					(1D:DATA+ / 1H:DATA-)
1:		5A	NONE	NO		(1C:LOAD / 1G:RETURN)
2:		5A	NONE	NO		(1B:LOAD / 1F:RETURN)
3:		5A	NONE	NO		(1A:LOAD / 1E:RETURN)
4:		5A	NONE	NO		(2D:LOAD / 2H:RETURN)
5:	ZONE0-WATERPUMP-SW	2A	NONE	NO		(2C:LOAD / 2G:RETURN)
6:		2A	NONE	NO		(2B:LOAD / 2F:RETURN)
7:		5A	NONE	NO		(2A:LOAD / 2E:RETURN)
8:	ZONE2-L8B-ON	5A	NONE	NO		(3C:LOAD / 3G:RETURN)
9:		5A	NONE	NO		(3B:LOAD / 3F:RETURN)
10:	E-PLEX DATA BUS	5A	NONE	NO		(3A:DATA+ / 3E:DATA-)

Address: 606

436MMX
Multimodule x10

Location: Storage Bay by Step

Description: Zone0-Step/Awning Control

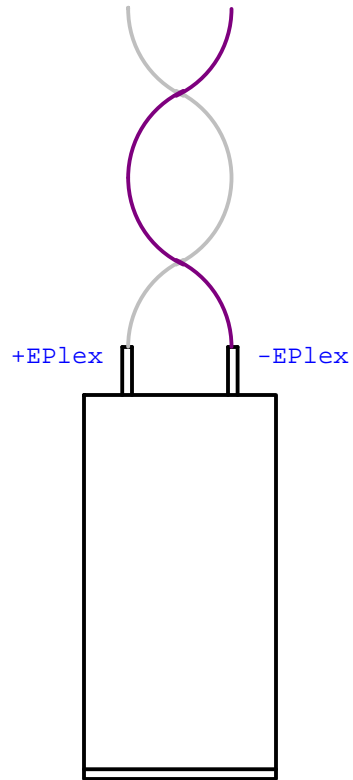


CH	CIRCUIT DESCRIPTION	AMPS	DEFAULT	O/CCT	FLT	TERMINALS
	E-PLEX DATA BUS					(1D:DATA+ / 1H:DATA-)
1:	ZONE0-BOX LIGHTS-ON	5A	NONE	NO		(1C:LOAD / 1G:RETURN)
2:	ZONE0-BOX LIGHTS-ON	5A	NONE	NO		(1B:LOAD / 1F:RETURN)
3:		5A	NONE	NO		(1A:LOAD / 1E:RETURN)
4:		5A	NONE	NO		(2D:LOAD / 2H:RETURN)
5:	ZONE1A-STEP-ON	2A	NONE	NO		(2C:LOAD / 2G:RETURN)
6:	ZONE1A-STEP-ON	2A	NONE	NO		(2B:LOAD / 2F:RETURN)
7:		5A	NONE	NO		(2A:LOAD / 2E:RETURN)
8:		5A	NONE	NO		(3D:LOAD / 3H:RETURN)
9:		5A	NONE	NO		(3C:LOAD / 3G:RETURN)
10:	E-PLEX DATA BUS	5A	NONE	NO		(3B:LOAD / 3F:RETURN) (3A:DATA+ / 3E:DATA-)

Address: 908

318PFTG
Pressure Tank Sensor

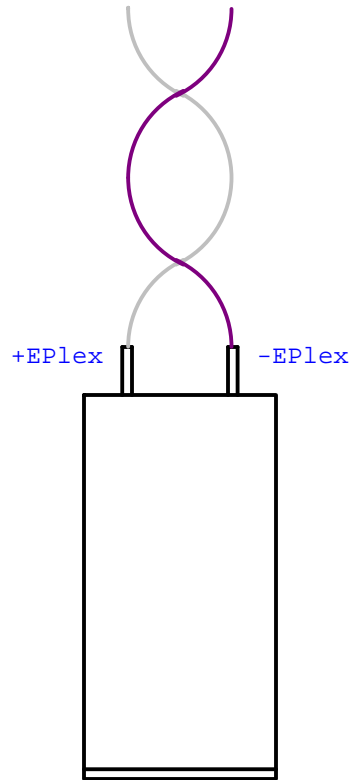
Location:



Address: 924

318PFTG
Pressure Tank Sensor

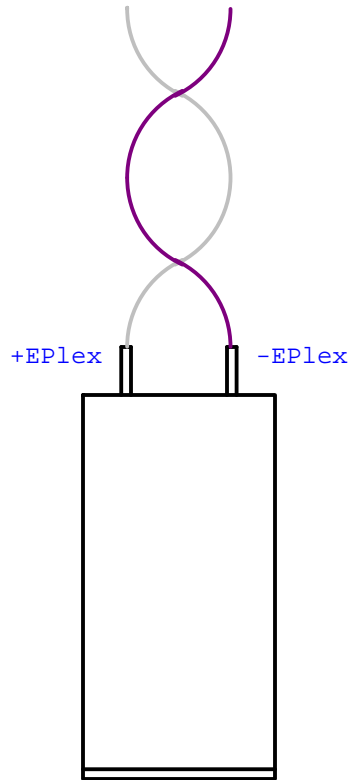
Location:



Address: 940

318PFTG
Pressure Tank Sensor

Location:



Address: 988

356DRIM

Dual Relay Input Module

Location:

Address: 992

356DRIM

Dual Relay Input Module

Location: