



OPERATOR'S MANUAL

Tiller/Cultivator

This product is covered by U. S. patents and other international patents

Copyright All Rights Reserved.

Model TC70001



This product has been engineered and manufactured to our high standard for dependability, ease of operation, and operator safety. Properly cared for, it will give you years of rugged, trouble-free performance.



WARNING: To reduce the risk of injury, the user must read and understand the operator's manual before using this product.

Thank you for your purchase.

DO NOT RETURN THIS PRODUCT TO THE STORE. OPERATING, ASSEMBLY, PARTS, SERVICE QUESTIONS?
CALL 1-800-313-5111 BETWEEN 8:00AM-5:00PM EST FOR ASSISTANCE.

SAVE THIS MANUAL FOR FUTURE REFERENCE

TABLE OF CONTENTS

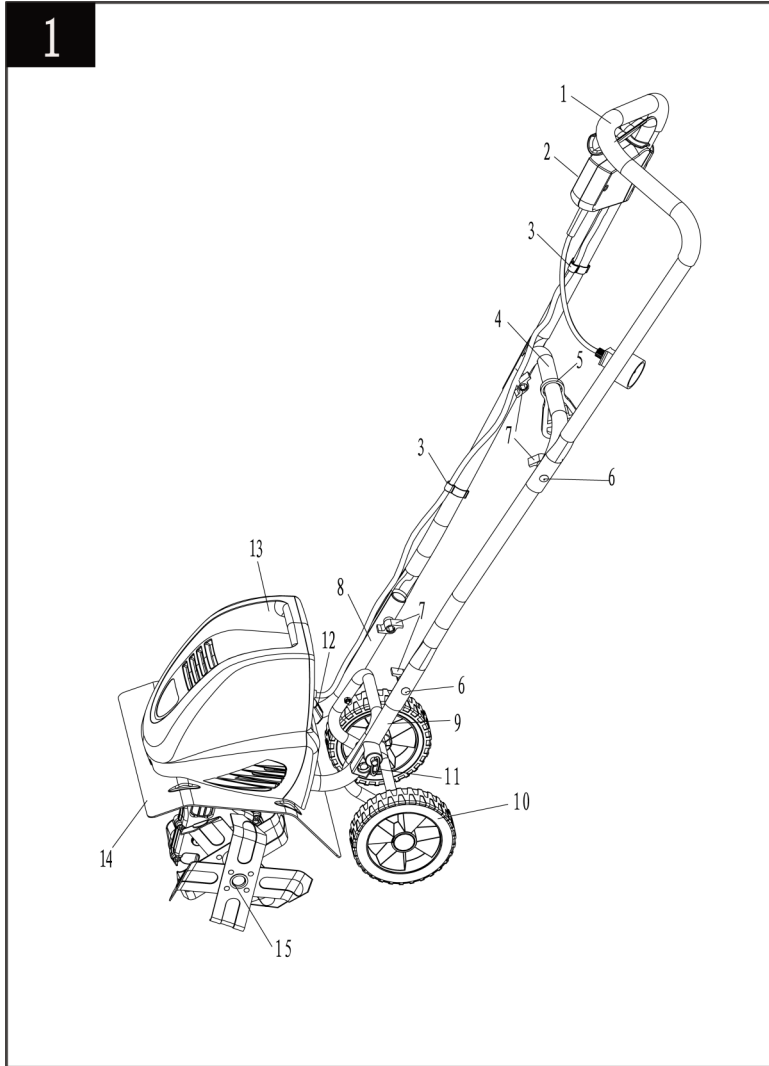
Product Specifications	2	Maintenance	9
Symbols	3	Storage	10
Safety Warnings	4 - 5	Troubleshooting	10
Assembly	6	Warranty	11
Operating	7 - 8		

PRODUCT SPECIFICATIONS

Model: TC70001

Power supply voltage:	120V-60HZ	Working width:	11-IN
Idle Speed:	320 RPM	Working depth max:	8-IN
Power Consumption:	8.5 Amp		

Parts List



1	Upper handle section (RTC00055 / RTC00056)	9	Lower handle section (left - RTC00046)
2	Switch and power cable assy (RTC00057)	10	Wheel (RTC00042)
3	Cable clip (RTC00051)	11	Lock pin (RTC00045)
4	Center handle section (RTC00050)	12	Lock button
5	Cord retainer (RTC00053)	13	Motor housing (RTC00001)
6	Bolt M6 x 45 (RTC00052)	14	Motor support plate (RTC00016)
7	Wing nut (RTC00054)	15	Tine Assembly (right - RTC00025 / left - RTC00036)
8	Lower handle section (right - RTC00048)		

SYMBOLS

Some of the following symbols may be used on this product. Please study them and learn their meaning. Proper interpretation of these symbols will allow you to operate the product better and safer.



Precautions that involve your safety.



Read the instruction manual and follow the warning and safety instructions!



SWITCH OFF! Remove plug from outlet immediately if the cable is damaged or cut.



SWITCH OFF! Remove plug from outlet before cleaning or maintenance.



Do not use in wet weather conditions.



Wear eye and ear protection.



Keep bystanders at a safe distance.



DANGER! Rotating blades. Keep hands and feet at a safe distance.



DANGER! Of being hit by thrown objects.



Waste electrical products should not be disposed of with household waste. Please recycle where facilities exist. Check with your Local Authority or retailer for recycling advice.



IMPORTANT SAFETY WARNINGS



TO REDUCE RISK OF INJURY: Before any use be sure everyone using this product reads and understands all safety instructions and other information contained in this manual.



CAUTION: Wear appropriate personal hearing protection during use. Under some conditions and duration of use, noise from this product may contribute to hearing loss.

Save these instructions and review frequently prior to use and in instructing others.



WARNING: When using electric gardening appliances, basic safety precautions should always be followed to reduce risk of fire, electric shock, and personal injury, including the following:

READ ALL INSTRUCTIONS

GENERAL SAFETY

CHECK FOR DAMAGED PARTS - Before further use of the product, any part that is damaged should be carefully checked to determine that it will operate properly and perform its intended function. Check for alignment of moving parts, binding of moving parts, breakage of parts, mounting and any other condition that may affect its operation. Any part that is damaged should be properly repaired or replaced. For assistance call our customer service help line at 1-800-313-5111.

AVOID DANGEROUS ENVIRONMENTS - Don't use this product in rainy, stormy, damp or wet locations. Do not operate in gaseous or explosive atmospheres. Motors in these products normally spark, and the sparks might ignite fumes.

KEEP CHILDREN AWAY - All visitors, children and pets should stay at a safe distance from the work area.

DRESS PROPERLY- Don't wear loose clothing or jewelry and wear protective hair covering to contain long hair. They can be caught in moving parts. Use of rubber gloves and substantial footwear is recommended when working outdoors.

USE SAFETY GLASSES - Wear safety glasses with side shields or goggles that are marked to comply with ANSI Z87.1 standard when operating this product. Use face or dust mask if environment is dusty.



DOUBLE INSULATION – The tiller/cultivator has double insulation. This means that all external metal parts are insulated from the electrical supply. This is achieved by introducing an insulation layer between electrical and mechanical parts. The double insulation guarantees you the greatest possible safety.

EXTENSION CORD. Make sure your extension cord is in good condition. When using an extension cord be sure it is heavy enough to carry the current your product will draw. An undersized extension cord will cause a drop in line voltage resulting in loss of power and overheating. The following table shows the correct size to use depending on cord length and nameplate ampere rating. If in doubt, use the next heavier gage. The smaller the gage number, the heavier the cord.

WARNING: Use outdoor extension cords marked

Volts	Minimum Gage for Cord Sets			
	Total Length of cord in Feet			
120V	0-25	26-50	51-100	101-150
240V	0-50	51-100	101-200	201-300
Ampere Rating		American wire Gage		
More Than	Not More Than			
0	6	18	16	14
6	10	18	16	12
10	12	16	16	12
12	16	14	12	Not Recommended



SW-A, SOW-A, STW-A, STOW-A, SJW-A, SJTW-A, or SJTOWA. These cords are rated for outdoor use and reduce the risk of electric shock.

It is possible to tie the extension cord and power cord in a knot to prevent them from becoming disconnected during use. Make the knot as shown, then connect the plug end of the power cord into the receptacle end of the extension cord. This method can also be used to tie two extension cords together.



Be aware of the extension cord while operating the tiller/cultivator. Be careful not to trip on the cord. Always guide the cord away from the tines.

OVERHEAT PROTECTION - If the tiller/cultivator is blocked by a foreign object or if the motor is overloaded, the motor will switch off automatically by the protection device. Release the trigger lever and wait for the motor to cool down (approx. 15 minutes) before starting the tiller again.

GENERAL SAFETY

GROUND FAULT CIRCUIT INTERRUPTER (GFCI) protection should be provided on the circuit or outlet to be used for the tiller/cultivator. Receptacles are available having built-in GFCI protection and may be used.

DISCONNECT UNIT from the power supply when not in use or when servicing or cleaning. Do not leave unattended.

DON'T ABUSE CORD - Never carry this product by the cord or yank the cord to disconnect from the receptacle. Keep cord from heat, oil, and sharp edges.

USE RIGHT APPLIANCE - Do not use this product for any job except that for which it is intended.

DON'T OVERREACH - Guide the tiller/cultivator at a walking pace only. Keep proper footing and balance at all times.

LIGHTING - Only operate your tiller/cultivator in daylight or good artificial light.

STORE IDLE UNIT INDOORS-When not in use, the tiller/cultivator should be stored indoors in a dry area out of children's reach.

MAINTAIN UNIT WITH CARE-Keep clean for best performance and to reduce the risk of injury. Inspect extension cord periodically and replace if damaged. Keep handles dry, clean and free from oil.

POLARIZED PLUGS-To reduce the risk of electric shock, this product has a polarized plug. Polarized connections will fit together only one way. Make sure that the receptacle end of the extension cord has large and small blade slot widths. If the plug does not fit fully into the extension cord, reverse the plug. If it still does not fit, obtain a suitable extension cord. If the extension cord does not fit fully into the outlet, contact a qualified electrician to install the proper outlet. Do not change the plug on the tool or the extension cord in any way.

Do not operate the tiller/cultivator on a slope that is too steep for safe operation. When on slopes, slow down and make sure you have good footing.

Before starting the tiller/cultivator make sure the tines are not touching any object and are free to move.

Grip the guide bar firmly with both hands. Never operate the tiller/cultivator with one hand.

STAY ALERT - Watch what you are doing. Use common sense. Do not operate the tiller/cultivator when you are tired or under the influence of drugs or medication.



WARNING: Do not operate the tiller/cultivator near underground electrical cables, telephone lines, pipes or hoses.

If the tiller/cultivator strikes a foreign body, turn it off immediately, wait for the tines to stop and check for damage. If necessary, repair before restarting.

If the tiller/cultivator starts to vibrate abnormally, turn it off immediately and check for the cause. Vibration is generally a warning of trouble.



DANGER: RISK OF CUT - Wear gloves and use caution when cleaning or performing maintenance on the tiller/cultivator.

Always turn off the tiller/cultivator, disconnect from the power supply and wait until the tines come to a complete stop before carrying out any maintenance or repairs.



CAUTION: Tines do not stop immediately after the tiller/cultivator is turned off.



CAUTION: Risk of injury. Do not put hands, feet or any body part or clothing near the rotating tines.



WARNING: California Proposition 65:

This product contains chemicals known to the State of California to cause cancer, birth defects or other reproductive harm.



WARNING: Some dust and debris created by the use of this tool could contain chemicals known to the State of California to cause cancer and birth defects or other reproductive harm.

Some examples of these chemicals are:

- chemicals in fertilizers
- compounds in insecticides, herbicides, and pesticides
- arsenic and chromium from chemically treated lumber

Your risk from exposure to these chemicals varies, depending on how often you do this type of work. To reduce your exposure, work in a well-ventilated area and with approved safety equipment such as dust masks that are specially designed to filter out microscopic particles.



WARNING: Cancer and Reproductive Harm - www.P65Warnings.ca.gov.



CAUTION: The tiller/cultivator may bounce upward and/or jump forward if the tines strike extremely hard packed soil, frozen ground, or buried obstacles such as large stones, roots or stumps.

ASSEMBLY

This product must be assembled correctly before use.

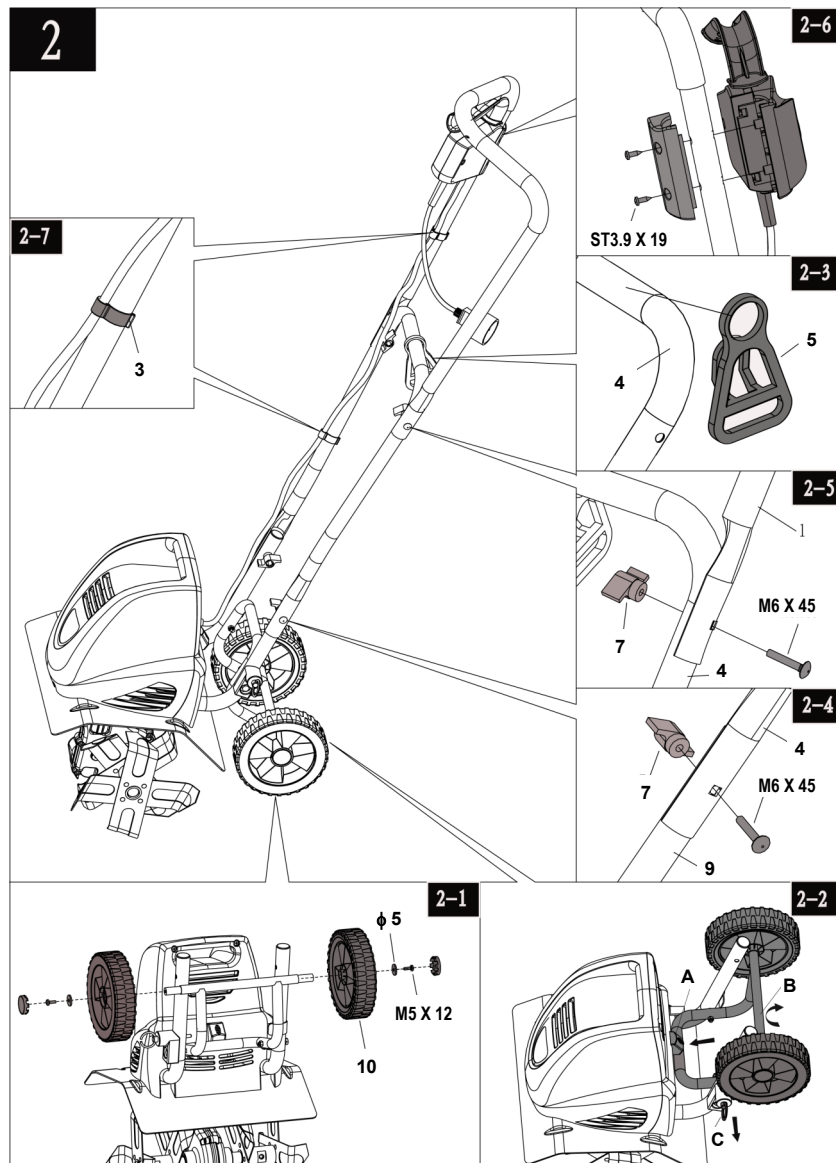
1. Remove the screws (M5 X 12) and washers from wheel frame. Insert the wheels on the axle of wheel frame, then attach washers and screws (M5 X 12) to secure. (Fig. 2-1)
2. Press the wheel covers into the wheel and cover the ends of the axles. You may use a hammer to seat them securely into the wheels. (Fig. 2-1)
3. To lower wheel frame, push the lock button on back of motor housing to release the frame (Step A). Lower the wheel frame (Step B) and pull out the lock pin on lower handle section (Step C). Align lock pin to the hole in wheel frame in position. (Fig. 2-2)
4. Slide the cord retainer (5) onto the center handle section (4). (Fig. 2-3)
5. Attach the center handle section (4) to the lower handle sections (9) using the two supplied M6 X 45 bolts (6) and wing nuts (7). (Fig. 2-4)
6. Fasten the upper handle section (1) to the center handle section (4) using the two supplied M6 X 45 bolts (6) and wing nuts (7) (Fig. 2-5).

7. Install the switch and power cable assembly onto the upper handle section using the two supplied bolts (ST3.9 x 19). (Fig. 2-6)
8. Use the two supplied cable clips (3) to secure the cord. (Fig. 2-7)

WARNING: If any parts are damaged or missing do not operate this product until the parts are replaced. Failure to heed this warning could result in serious personal injury. Call our customer service help line at 1-800-313-5111 for assistance

WARNING: Do not attempt to modify this product or create accessories not recommended for use with this product. Any such alteration or modification is misuse and could result in a hazardous condition leading to possible serious personal injury.

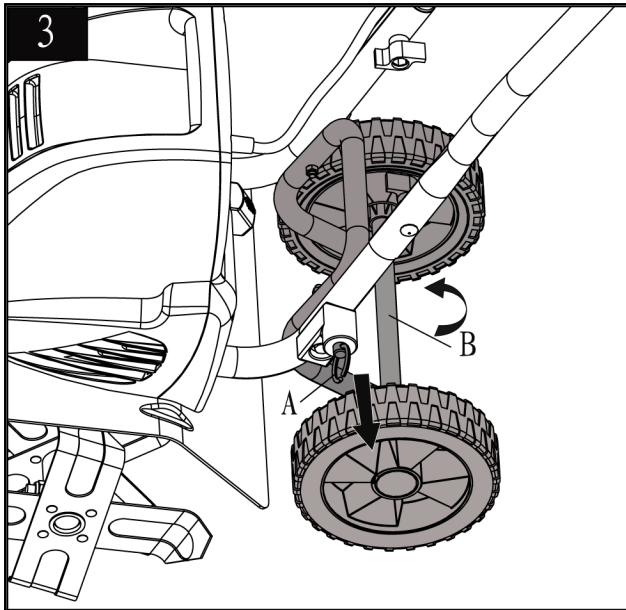
WARNING: Do not connect to power supply until assembly is complete. Failure to comply could result in accidental starting and possible serious personal injury.



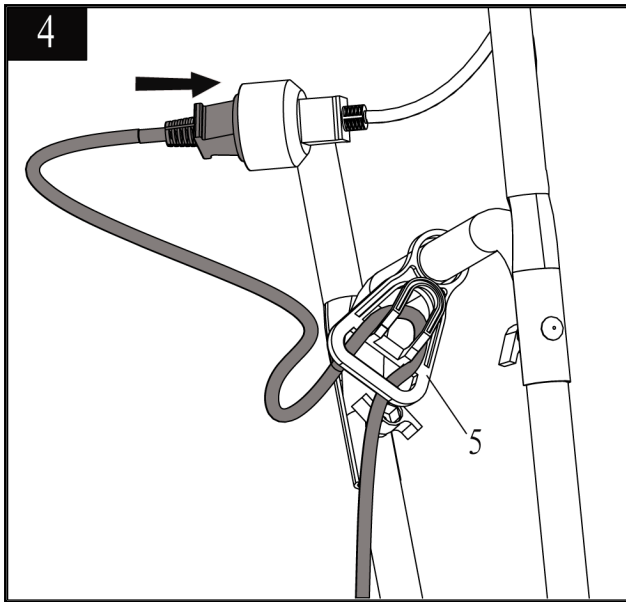
OPERATING

STARTING:

Make sure the wheel frame is raised before you start the tiller. To raise the frame, pull out the lock pin (Step A); rotate the wheel frame upward, beyond the lock button on the back of the motor housing (Step B); release the lock pin. The wheel frame will be locked in place by the lock button. (See Fig. 3)



Secure the extension cord into the cord retainer (5). The loop of the extension cord must be long enough for the cord retainer to freely slide from one side to the other. Plug the extension cord into the power cord plug on the tiller.



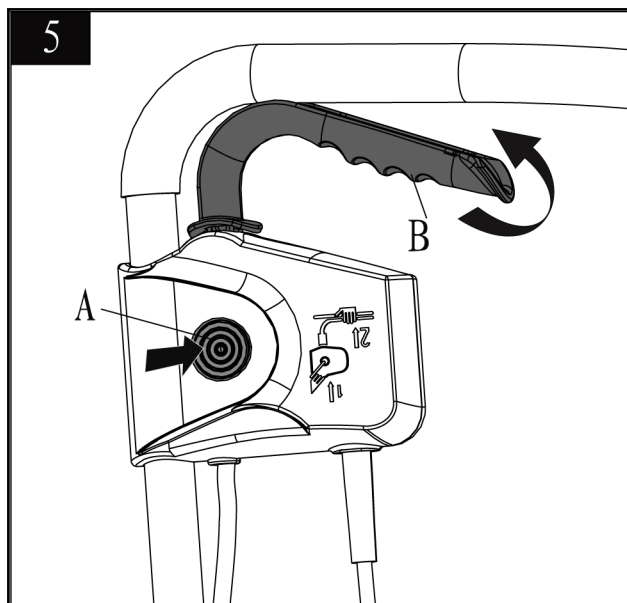
Use the tiller/cultivator for breaking sod, preparing seed beds, and for cultivating gardens and flower beds. The tiller/cultivator can also dig small holes for planting saplings or potted plants.

Move the tiller/cultivator to the work area prior to starting the motor.

To lower wheel frame, push the lock button on back of motor housing to release the frame. Lower the wheel frame and pull out the lock pin on lower handle section. Align lock pin to the hole in wheel frame then release it to lock the wheel frame in position. (See Fig. 2-2)

Hold the tiller/cultivator firmly while starting. The tines will pull the tiller/cultivator forward during operation. Lower the tines slowly with the guide bar.

To start the tiller/cultivator press and hold the safety lock button (A) on the safety switch while pulling the trigger lever (B) up and against the handle bar. The motor will start and the tines will begin to rotate. To stop the tiller/cultivator simply release the lever. For breaking sod or deep tilling, allow the tines to



pull the tiller/cultivator forward to the end of your arm's reach, then firmly pull it back toward yourself. You will achieve the best results by repeatedly allowing it to move forward and pulling it back.

By pulling the tiller/cultivator back towards yourself, the tines will dig deeper and more aggressively.

To prevent tripping, take extra precautions when moving backwards and when pulling the tiller/cultivator back toward yourself.

If the tiller/cultivator digs deep enough to stay in one spot, gently rock it side to side until it starts moving forward again.

Never pass the tiller/cultivator over the extension cord. Make sure the cord is always in a safe position behind you.

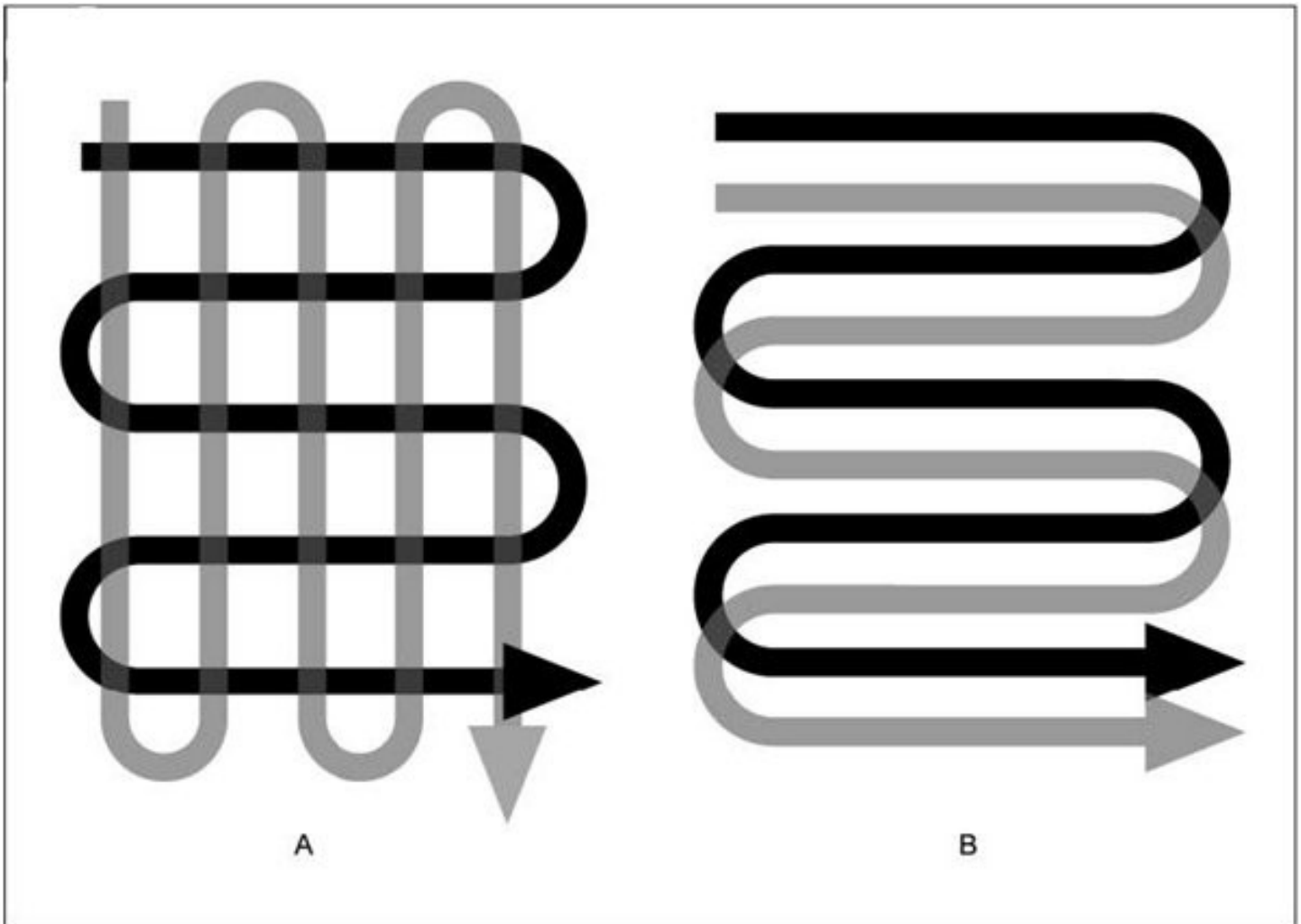
When working on inclines always stand diagonally to the incline to retain a firm, safe footing. Do not work on extremely steep slopes.

OPERATING

For preparing seed beds, we recommend using one of these tilling patterns:

Tilling Pattern A– Make two passes over area to be tilled, the second at a right angle to the first.

Tilling Pattern B– Make two passes over area to be tilled, the second overlapping the first.



Before use, remove any visible stones or other foreign bodies from the area.



CAUTION: Before moving the tiller/cultivator from one area to another switch off the motor and wait for the tines to come to a complete stop. Be careful not to let the tines touch the ground while moving the tiller/cultivator. The tines as well as the unit itself may be damaged even if the motor is switched off.

Clearing foreign objects:

During operation a stone or root could become lodged in the tines, or tall grass or weeds may become wrapped around the tine shaft. To clear the tines or tine shaft release the trigger lever, wait for the tines to come to a complete stop and unplug the tiller/cultivator. Dislodge or remove the foreign matter from the tines or tine shaft. To simplify removal of tall grass or weeds from the tine shaft, remove one or more of the tines. See Tine Removal and Installation.

MAINTENANCE

Before carrying out maintenance operations, disconnect power supply.

Before each use check the extension cord for signs of damage or ageing. Replace the cable if it is cracked, split or otherwise damaged. Check the condition of the tines and ensure that all threaded connections are securely tightened. If the tines become dull or blunt, sharpen or replace them. Call our customer service help line at 1-800-313-5111 for assistance.

Once per season lubricate the tines and shaft. At the end of the season, check the tiller/cultivator for damage prior to storing. Repair or replace damaged or broken parts.



CAUTION: Always clean the tiller/cultivator after each use. Failure to carry out proper cleaning can result in damage to the tiller/cultivator or result in poor performance.

Clean the underside of the motor support plate and housing around the tines with a scrub brush, and a soft cloth dampened with a mild soap and water mixture. **Never use a water hose to clean the tiller!** To remove soil and debris from the transmission and tines, use a stiff brush or a dampened cloth. Clean the vents on the motor housing and remove any remaining grass or dirt. Once cleaned, wipe the tines and shaft dry and apply a light coat of oil to prevent rust.

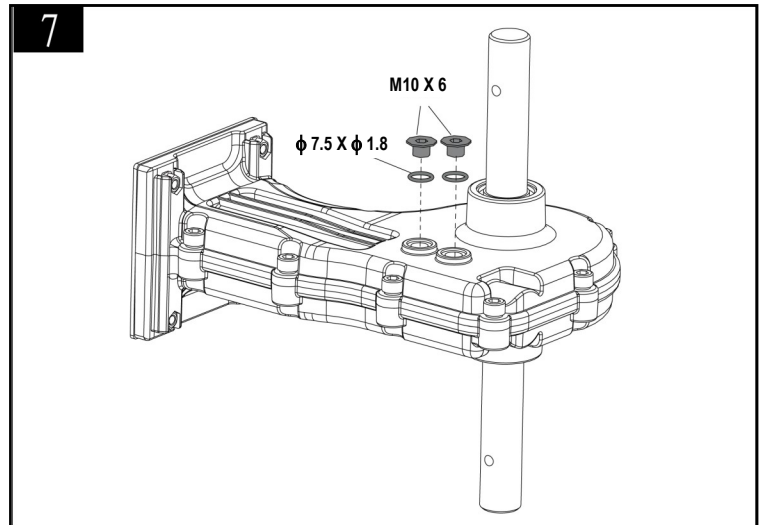
Tines Removal and Installation (Fig. 6): Worn tines invite poor performance and overload of the motor. Check tines before each use. Sharpen or replace the tine assemblies with new ones when necessary. Call 1-800-313-5111 for assistance.

WARNING: Injury can occur while working on the

Replace worn or damaged parts with original replacement parts only. Parts from another tiller/cultivator may not fit properly causing an unsafe situation.

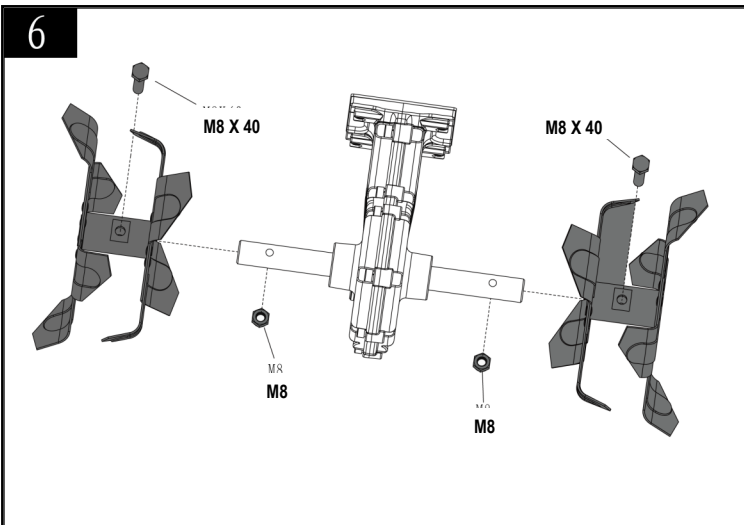
Make sure all protective devices are secure and in good condition. Repair or replace if necessary.

Lubrication (Fig. 7): The tines drive transmission case has grease installed at the factory. It is not required that the grease level be checked nor recommended that grease be added during the first 2 years of use. After the second season of use, follow the directions as described below: Drain screw plugs are located on the right side of



transmission housing. Lay the tiller/cultivator on its left side and clean the transmission of dirt and debris prior to removing the drain screw plugs. If necessary, remove tine assemblies to have better access to the drain screw plug. Use a 5mm hex key to unscrew the plugs.

Using a squeeze bottle or tube, add approximately 2.4 oz. (70ml) of auto gear lube. Do not overfill. When completed, reinstall both drain screw plugs into the transmission.



tines. Wear protective gloves.

To remove the complete tine assemblies from the shaft, remove the M8 X 40 hex head bolt from the shaft. Remove the tine assembly from the shaft. Reverse above steps to install tines.

STORAGE

Store the Tiller/Cultivator in a dry, clean area out of reach of children.

During extended periods of storage, ensure that the tiller/cultivator is protected against corrosion and frost.

At the end of the season, or if the tiller/cultivator is not being used for longer than a month, wipe over all metal surfaces with an oil impregnated cloth to protect them from corrosion or spray with a fine coat of oil. Fold the guide bar down, and store the tiller/cultivator in a suitable place.

TROUBLESHOOTING

Problem	Possible causes	Remedy
Motor does not start	Unit not plugged in No electricity Defective cable Defective safety switch/plug Overheat protection activated	Plug in the unit Check power supply Check cable. Repair or replace if required Arrange for repair 1. Working depth too large, set to a shorter depth. 2. Blades blocked, remove the blockage. 3. Soil too hard, select correct work depth and move forward and backward several times while slowing down the operation speed. Wait until the motor cools down for about 15 minutes before further use.
Abnormal noises	Blade is jammed Lubrication running out Bolts, nuts or other components are loose.	Switch off . Wait till tines comes to a complete stop. Remove jammed objects. Tiller/cultivator must be repaired. Call our customer service help line at 1-800-313-5111 for assistance. Tighten all components. Arrange for repair if noises continue.
Abnormal vibrations	Blades damaged or worn Working depth too large	Replace damaged or worn blades. Set to correct working depth.
Poor results	Working depth too small Worn blades	Set to correct working depth. Replace damaged or worn blades.



CALL US FIRST !!

Call us first with questions about operating or maintaining this product at 1.800.313.5111 between 8:00 a.m. – 5:00 p.m. Eastern Standard Time, or send emails to earthwise@reelin.com.

American Lawn Mower Company
 The Great States Corporation
 7444 Shadeland Station Way,
 Indianapolis, IN 46256, USA
www.earthwisetools.com



OPERATOR'S MANUAL Tiller/Cultivator

This product is covered by U. S. patents and other international patents

Copyright All Rights Reserved.

WARRANTY POLICY

Two (2) year limited warranty on Earthwise outdoor power equipment.

Earthwise warrants to the original owner that each new product and service part is free from defects in materials and workmanship and agrees to repair or replace any defective product or part for the warranty period as stated above from the original date of purchase except for the conditions and circumstances listed below:

This warranty applies only to the original purchaser at retail and may not be transferred.

Warranty applies if the product is used for personal, household or family use. Warranty is void if product is used for commercial, industrial or rental purposes.

Warranty does not include repairs necessary due to operator's abuse or negligence (including overloading the product beyond capacity or immersion in water), or the failure to assemble, operate, maintain or store the product according to the instructions in the operator's manual.

This warranty is not transferable and only applies to product sold directly from an authorized retailer. This warranty does not apply to any product, new or used, purchased through unauthorized third-party channels.

ANY INCIDENTAL, INDIRECT OR CONSEQUENTIAL LOSS, DAMAGE, OR EXPENSE THAT MAY RESULT FROM ANY DEFECT, FAILURE OR MALFUNCTION OF THE PRODUCT IS NOT COVERED BY THE WARRANTY. Some states do not allow the exclusion or limitation on how long an implied warranty lasts, so the above limitation may not apply to you.

Products sold damaged or incomplete, sold "as is", or sold as reconditioned are not covered under the warranty.

Damage or liability caused by shipping, improper handling, improper assembly, incorrect voltage, improper wiring, improper maintenance, improper modification or the use of accessories and/or attachments not specifically recommended is not covered by this warranty.

Expendable items that become worn during normal use are not covered by the warranty.

Warranty does not cover damage caused by cold, heat, rain, excessive humidity, corrosive environments and materials, or other contaminants.

Warranty does not include installation, assembly or normal adjustments explained in the operator's manual.

The expense of delivering the product to the vendor and the expense of returning the product or replacement parts to the owner is not covered by the warranty.

The warranty does not cover normal deterioration of the exterior finish, including but not limited to scratches, dents, paint chips or any corrosion or discoloration caused by heat, abrasive and chemical cleaners.

Proof of purchase, original dated sales receipt, must accompany all warranty claims.



American Lawn Mower Company
The Great States Corporation
7444 Shadeland Station Way,
Indianapolis, IN 46256, USA
Phone 1-800-313-5111
www.earthwisetools.com

In a continued commitment to improve quality, the Manufacturer reserves the right to make component changes or design changes when necessary.



OPERATOR'S MANUAL

Tiller/Cultivator

This product is covered by U. S. patents and other international patents

Copyright All Rights Reserved.

SERVICE

Now that you have purchased your Tiller/Cultivator, should a need ever exist for repair parts or service, simply contact us at 1-800-313-5111. Be sure to provide all pertinent facts when you call or visit.

REPAIR PARTS

Please record your serial number in the space provided below.

• NAME OF ITEM Tiller/Cultivator

• MODEL NUMBER TC70001

• SERIAL NUMBER

American Lawn Mower Company
The Great States Corporation
7444 Shadeland Station Way,
Indianapolis, IN 46256, USA
www.earthwisetools.com

In a continued commitment to improve quality, the Manufacturer reserves the right to make component changes or design changes when necessary.



MANUAL DEL OPERARIO

Rotocultivador

Este producto está amparado por patentes de EE. UU. y otras patentes internacionales.

Copyright. Todos los derechos reservados.

Modelo TC70001



Este producto fue diseñado y fabricado de acuerdo con nuestros altos estándares de confiabilidad, facilidad de operación y seguridad para el operario. Si se trata con cuidado, esta herramienta le otorgará años de óptimo rendimiento y resistencia.



ADVERTENCIA: Para reducir el riesgo de sufrir alguna lesión, el usuario debe leer y comprender el manual del operario antes de usar este producto.

Muchas gracias por su compra.

NO DEVUELVA ESTE PRODUCTO A LA TIENDA. ¿TIENE PREGUNTAS SOBRE EL FUNCIONAMIENTO, EL MONTAJE, LAS PIEZAS Y EL MANTENIMIENTO? LLAME AL 1-800-313-5111 ENTRE LAS 8:00 Y LAS 17:00 HORA DEL ESTE DE LOS ESTADOS UNIDOS.

GUARDE ESTE MANUAL PARA CONSULTAS FUTURAS

ÍNDICE

Especificaciones del producto	2	Mantenimiento	9
Símbolos	3	Almacenamiento	10
Advertencias de seguridad	4 - 5	Solución de problemas	10
Montaje	6	Garantía	11
Funcionamiento	7 - 8		

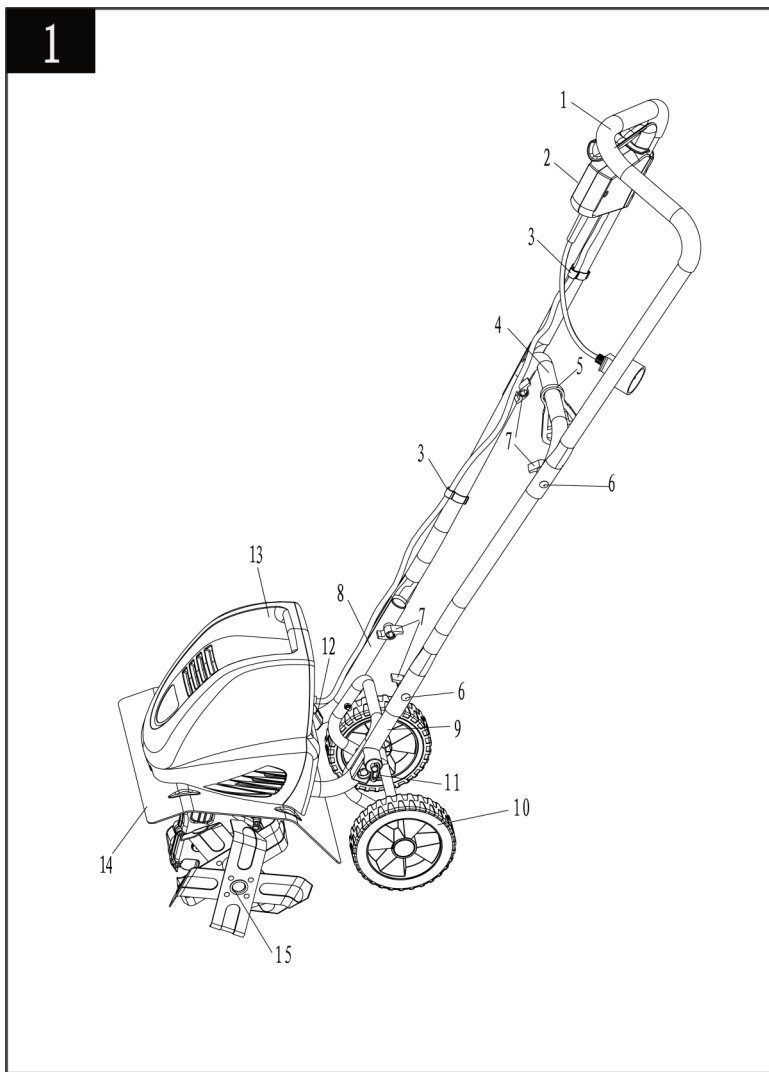
ESPECIFICACIONES DEL PRODUCTO

Modelo: TC70001

Voltaje del suministro eléctrico: 120V-60HZ
 Marcha lenta: 320 RPM
 Consumo de potencia: 8,5 amperios

Ancho de trabajo: 28 cm (11 pulg.)
 Profundidad máx. de trabajo: 20 cm (8 pulg.)

Lista de piezas



1	Mango superior (RTC00055 / RTC00056)	9	Mango inferior (izquierdo - RTC00046)
2	Conjunto de cable de alimentación e interruptor (RTC00057)	10	Rueda (RTC00042)
3	Sujetador de cable (RTC00051)	11	Pasador de bloqueo (RTC00045)
4	Mango central (RTC00050)	12	Botón de bloqueo
5	Retenedor de cable (RTC00053)	13	Caja del motor (RTC00001)
6	Perno M6 x 45 (RTC00052)	14	Placa de soporte del motor (RTC00016)
7	Tuerca mariposa (RTC00054)	15	Conjunto de púas (derecho - RTC00025 / izquierdo - RTC00036)
8	Mango inferior (derecho - RTC00048)		

SÍMBOLOS

Algunos de los siguientes símbolos pueden aparecer en este producto. Tenga a bien estudiarlos y aprender su significado. La adecuada interpretación de estos símbolos le permitirá operar el producto mejor y de manera más segura.



Precauciones para su seguridad.



Lea el manual de instrucciones y atienda las instrucciones de seguridad y advertencia.



¡DESCONECTAR! Retire el enchufe del tomacorriente de inmediato si el cable está dañado o cortado.



¡DESCONECTAR! Retire el enchufe del tomacorriente antes de realizar una limpieza o un mantenimiento.



No trabaje en condiciones de humedad.



Use protecciones para sus ojos y oídos.



Mantenga a las personas que se encuentran en el lugar a una distancia segura.



¡PELIGRO! Cuchillas giratorias. Mantenga manos y pies a una distancia segura.



¡PELIGRO! Puede ser golpeado por objetos despedidos.



Los desechos de los productos eléctricos no se deben eliminar con los desechos domésticos. Recicle donde haya centros para tal fin. Consulte a la autoridad local o al distribuidor minorista para obtener asesoramiento sobre reciclado.



ADVERTENCIAS DE SEGURIDAD IMPORTANTES



PARA REDUCIR EL RIESGO DE LESIONES: Antes de utilizar este producto, cerciórese de que todos los usuarios lean y comprendan las instrucciones de seguridad y la demás información incluida en este manual.



PRECAUCIÓN: Use protección auditiva apropiada mientras trabaja. En ciertas condiciones y con cierta duración de uso, el ruido generado por este producto puede contribuir a la pérdida de la audición.

Guarde estas instrucciones y revíselas con frecuencia antes de usar la herramienta y para impartirlas a otros.



ADVERTENCIA: Al utilizar aparatos eléctricos para el jardín, se recomienda respetar las precauciones de seguridad básicas que se detallan a continuación, a fin de reducir riesgos de incendios, descargas eléctricas y lesiones personales.

LEA TODAS LAS INSTRUCCIONES

NORMAS GENERALES DE SEGURIDAD

VERIFIQUE LAS PIEZAS DAÑADAS. Antes de seguir usando el producto, se deberán revisar las piezas dañadas en forma exhaustiva para determinar si la herramienta funcionará correctamente y realizará el trabajo previsto. Compruebe la alineación y las uniones de las piezas móviles, el montaje, averías de componentes y otros factores que puedan afectar el funcionamiento. Se debe reparar o reemplazar cualquier pieza dañada en forma adecuada. Para recibir asistencia, comuníquese con nuestra línea de ayuda de atención al cliente al 1-800-313-5111.

EVITE AMBIENTES PELIGROSOS. No utilice este producto en condiciones de lluvia o tormenta ni en lugares húmedos o mojados. Tampoco trabaje en entornos donde existan gases o sustancias explosivas. Por lo general, los motores de estos productos producen chispas que podrían inflamar los gases.

MANTENGA ALEJADOS A LOS NIÑOS. Todos los visitantes, niños y mascotas deben mantenerse a una distancia segura de la zona de trabajo.

USE ROPA ADECUADA. No use prendas sueltas ni artículos de joyería. Use protección para cubrir y contener el cabello largo ya que puede quedar atrapado en las piezas móviles. Se recomienda usar guantes de goma y calzado resistente cuando se trabaja al aire libre.

USE GAFAS DE SEGURIDAD. Al trabajar con este producto, use gafas de seguridad con protectores laterales que cumplan con la norma ANSI Z87.1. Protéjase la cara con una mascarilla antipolvo si hay polvo en el ambiente.

DOBLE AISLAMIENTO. El rotocultivador tiene doble aislamiento. Es decir que todas las piezas metálicas externas están aisladas del suministro eléctrico. Esto se logra con la introducción de una capa de aislamiento entre las piezas eléctricas y las mecánicas. El doble aislamiento le garantiza la mayor seguridad posible.

CABLE DE EXTENSIÓN. Asegúrese de que el cable de extensión esté en buenas condiciones. Además, compruebe que tenga el grosor suficiente para transportar la corriente que necesitará el producto. Un cable de extensión muy pequeño provocará una disminución en la tensión de la línea y, como resultado, una pérdida de potencia y recalentamiento. La siguiente tabla muestra el tamaño correcto que se debe usar según la longitud del cable y el amperaje de la etiqueta. Ante la duda, utilice el siguiente calibre más grueso. Cuanto más bajo es el número de calibre, más grueso es el cable.

Voltios	Calibre mínimo para los cables			
	Longitud total del cable en pies			
120V	0-25	26-50	51-100	101-150
240V	0-50	51-100	101-200	201-300

Amperaje		Calibre AWG			
Más de	No más de				
0	- 6	18	16	16	14
6	- 10	18	16	14	12
10	- 12	16	16	14	12
12	- 16	14	12	No se recomienda	



ADVERTENCIA: Para el exterior, use cables de extensión rotulados con las siguientes inscripciones: SW-A, SOW-A, STW-A, STOW-A, SJW-A, SJTWA o SJTOWA. Estos cables están especificados para usar al aire libre y reducir el riesgo de descarga eléctrica.

El cable de extensión y el cable de alimentación se pueden atar para evitar que se desconecten durante el uso. Realice el nudo como se muestra en la imagen y luego conecte el enchufe del cable de alimentación en el receptáculo del cable de extensión. Este método también se puede aplicar para unir dos cables de extensión.



Tenga presente el cable de extensión mientras opera el rotocultivador. Tenga cuidado de no tropezar con el cable. Mantenga el cable alejado de las púas.

PROTECCIÓN CONTRA RECALENTAMIENTO. Si el rotocultivador queda bloqueado por un objeto extraño o si el motor se sobrecarga, el motor se apagará automáticamente mediante el dispositivo de protección. Suelte la palanca del gatillo y espere a que el motor se enfríe (aprox. 15 minutos) antes de arrancar el rotocultivador nuevamente.

NORMAS GENERALES DE SEGURIDAD

INTERRUPTOR DE CIRCUITO POR FALLA A TIERRA (ICFT). El circuito o tomacorriente que se usen para el rotocultivador deben contar con esta protección. Se puede utilizar uno de los receptáculos que tengan la protección de ICFT incorporada.

DESCONECTE LA UNIDAD del suministro eléctrico cuando no esté en uso o durante el servicio de mantenimiento o la limpieza. Manténgala bajo vigilancia constante.

NO MALTRATE EL CABLE. Nunca tire del cable para trasladar este producto ni para desconectarlo del receptáculo. Aleje el cable del calor, el aceite y los bordes filosos.

USE LA HERRAMIENTA CORRECTA. No utilice este producto en trabajos para los que no esté indicado.

NO ADOpte UNA POSTURA INCÓMODA. Guíe el rotocultivador sólo a paso de hombre. Mantenga una base de apoyo firme y buen equilibrio en todo momento.

ILUMINACIÓN. Trabaje con el rotocultivador sólo con luz natural o buena luz artificial.

GUARDE LA UNIDAD BAJO TECHO. Cuando no esté en uso, el rotocultivador se deberá guardar en un lugar cerrado y seco, fuera del alcance de los niños.


PRESTE ATENCIÓN AL MANTENIMIENTO DE LA UNIDAD. Consérvela limpia para lograr un óptimo funcionamiento y reducir el riesgo de lesiones. Inspeccione el cable de extensión periódicamente y reemplácelo si está dañado. Mantenga los mangos secos, limpios y libres de aceite.

ENCHUFES POLARIZADOS. Para reducir el riesgo de descarga eléctrica, este producto tiene un enchufe polarizado. Las conexiones polarizadas encajan de una sola manera. Cerciórese de que el extremo del receptáculo del cable de extensión tenga ranuras de anchos diferentes para los contactos. Invierta el enchufe si no encaja totalmente en el cable de extensión. Si aún así no encaja, consiga un cable de extensión adecuado. Si el cable de extensión no se adapta bien al tomacorriente, llame a un electricista competente para que instale un tomacorriente adecuado. No cambie el enchufe de la herramienta ni el cable de extensión de ningún modo.

Para un funcionamiento seguro, no utilice el rotocultivador en pendientes demasiado pronunciadas. Cuando trabaje en pendientes, disminuya la velocidad y asegúrese de tener una buena base de apoyo.

Antes de encender el rotocultivador, cerciórese de que las púas no estén en contacto con ningún objeto y de que tengan libre movimiento.

Sujete la barra guía con ambas manos y con firmeza. No debe sujetarla nunca con una sola mano.

 **PRECAUCIÓN:** El rotocultivador puede rebotar hacia arriba o saltar hacia delante si las púas golpean suelo muy compactado o congelado, u obstáculos enterrados, como piedras grandes, raíces o tocones.

PONGA ATENCIÓN. Observe lo que está haciendo. Use el sentido común. No opere el rotocultivador si está cansado o bajo la influencia de drogas o medicamentos.



ADVERTENCIA: No trabaje con el rotocultivador cerca de cables eléctricos, líneas telefónicas, tuberías o mangueras subterráneas.

Si el rotocultivador golpea un cuerpo extraño, apáguelo de inmediato, espere a que las púas se detengan y verifique si hay daños. Si fuera necesario, repare las piezas dañadas antes de volver a poner en marcha la herramienta.

Si el rotocultivador comienza a vibrar de manera inusual, apáguelo de inmediato y revíselo para detectar la causa. Generalmente, la vibración advierte la existencia de un problema.



PELIGRO: RIESGO DE CORTES. Use guantes y sea prudente cuando limpie o realice el mantenimiento al rotocultivador.

Siempre apáguelo; desconéctelo del suministro eléctrico y espere hasta que las púas se detengan por completo antes de realizar tareas de mantenimiento o reparaciones.



PRECAUCIÓN: Las púas no se detienen de inmediato cuando se apaga el rotocultivador.



PRECAUCIÓN: Riesgo de lesiones. No acerque ninguna parte de su cuerpo, ni prendas de vestir a las púas giratorias.



ADVERTENCIA: Proposición 65 de California: Este producto contiene sustancias químicas al estado de California como causantes de cáncer, defectos de nacimiento u otros problemas reproductivos.



ADVERTENCIA: Parte del polvo y los desechos generados por el uso de esta herramienta contienen químicos reconocidos por el Estado de California como causantes de cáncer, defectos de nacimiento u otros efectos nocivos para el aparato reproductor. Algunos ejemplos de estos productos químicos son:

- químicos presentes en fertilizantes
- compuestos presentes en insecticidas, herbicidas y pesticidas
- arsénico y cromo de maderas tratadas químicamente

El riesgo que usted corre al exponerse a estos químicos varía según la frecuencia con la que realiza este tipo de trabajo. Para reducir la exposición, trabaje en una zona bien ventilada y utilice equipo de protección aprobado, como mascarillas antipolvo especialmente diseñadas para filtrar partículas microscópicas.



ADVERTENCIA: Cáncer y Daño Reproductivo - www.P65Warnings.ca.gov.

MONTAJE

Este producto debe ser montado correctamente antes de su uso.

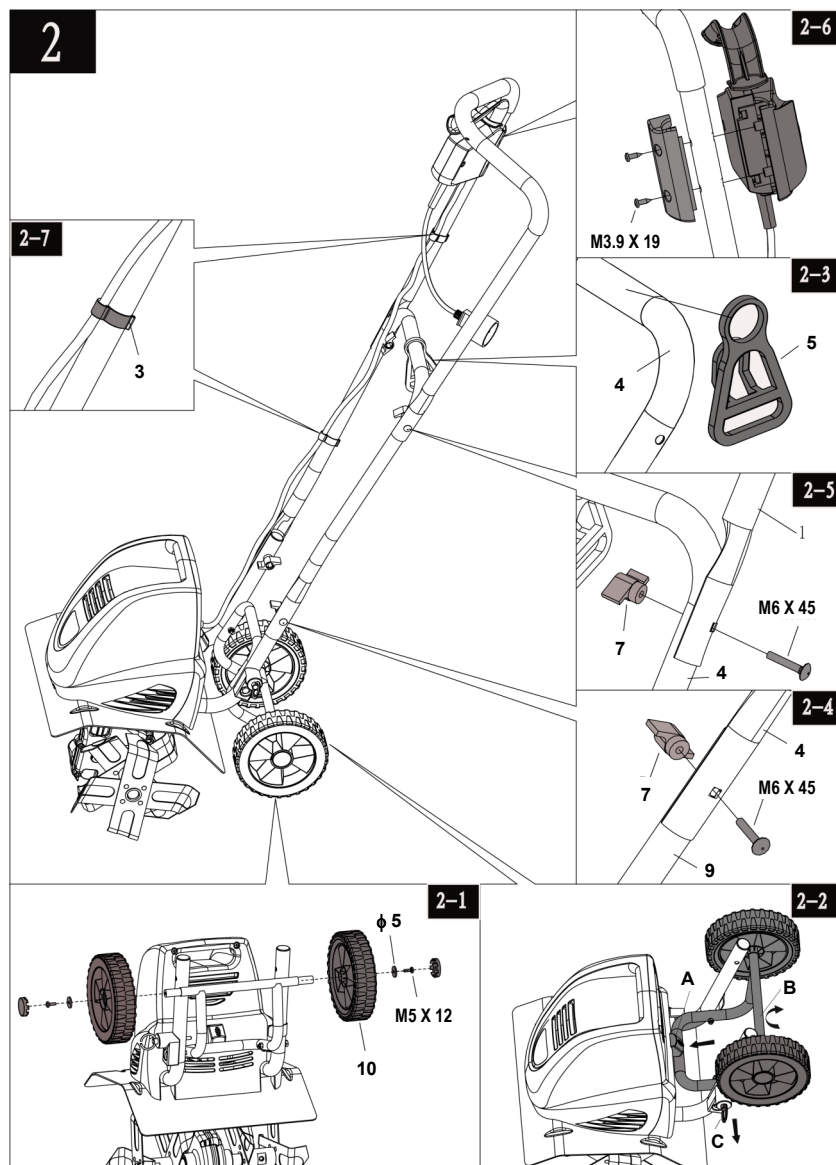
1. Retire los tornillos (M5 X 12) y arandelas del bastidor de las ruedas. Inserte las ruedas en el eje del bastidor, luego fije las arandelas y los tornillos (M5 X 12). (Fig. 2-1)
2. Coloque las cubiertas de las ruedas en las ruedas y cubra los extremos de los ejes. Puede usar un martillo para asentar bien las cubiertas. (Fig. 2-1)
3. Para bajar el bastidor de las ruedas, oprima el botón de bloqueo que se encuentra en la parte trasera de la caja del motor para soltar el bastidor (Paso A). Baje el bastidor de las ruedas (Paso B) y tire del pasador de bloqueo que se encuentra en el mango inferior (Paso C). Alinee el pasador de bloqueo con el orificio del bastidor de las ruedas, luego suéltelo para trabar el bastidor en posición. (Fig. 2-2)
4. Deslice el retenedor de cable (5) en el mango central (4). (Fig. 2-3)
5. Conecte el mango central (4) al mango inferior (9) utilizando los dos pernos M6 X 45 (6) y las tuercas mariposa que se suministran (7). (Fig. 2-4)
6. Ajuste el mango superior (1) al mango central (4) utilizando los dos pernos M6 X 45 (6) y las tuercas mariposa que se suministran (7) (Fig. 2-5).

7. Instale el conjunto del cable de alimentación e interruptor sobre el mango superior utilizando los dos pernos suministrados (M3.9 x 19). (Fig. 2-6) Use the two supplied cable clips (3) to secure the cord. (Fig. 2-7)
8. Utilice los dos sujetadores de cable suministrados (3) para sujetar el cable. (Fig. 2-7)

ADVERTENCIA: Si alguna pieza falta o está dañada, no utilice este producto hasta reponer la pieza en cuestión. De lo contrario, podría sufrir lesiones personales de gravedad. Comuníquese con nuestra línea de ayuda de atención al cliente al 1-800-313-5111 para recibir asistencia.

ADVERTENCIA: No intente modificar la unidad ni elaborar accesorios no recomendados para usar con este producto. Dicha clase de alteración o modificación constituye un uso inadecuado de la herramienta y podría generar situaciones de riesgo y provocar lesiones personales de gravedad.

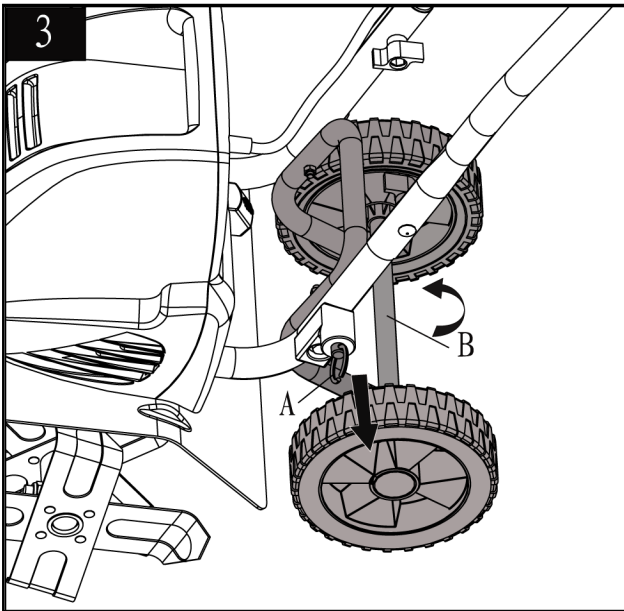
ADVERTENCIA: No conecte la herramienta al suministro eléctrico hasta finalizar el montaje. De lo contrario, la máquina podría arrancar accidentalmente y provocar lesiones personales de gravedad.



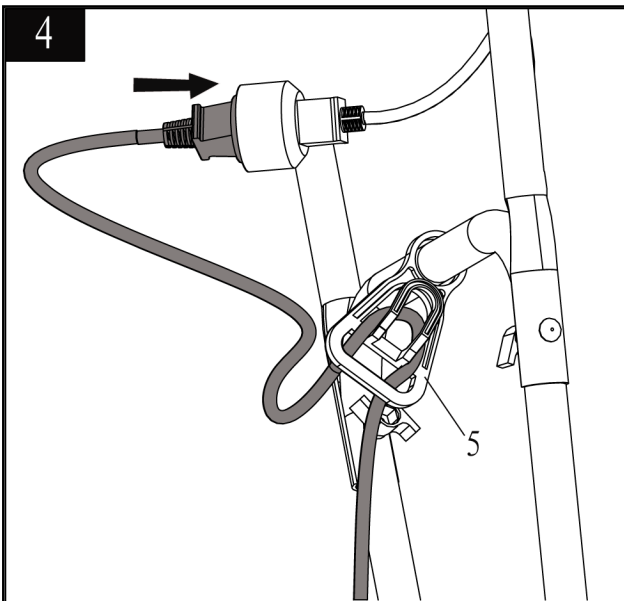
FUNCIONAMIENTO

ENCENDIDO:

Antes de encender el rotocultivador, cerci6rese de que el bastidor de las ruedas est6 levantado. Para levantarlo, tire del pasador de bloqueo (Paso A), gire hacia arriba el bastidor de las ruedas, pasando por encima del bot6n de bloqueo que se encuentra en la parte trasera de la caja del motor (Paso B), y suelte el pasador de bloqueo. El bot6n de bloqueo trabar6 el bastidor de las ruedas en su lugar. (Ver Fig. 3)



Asegure el cable de extensi6n en el retenedor de cable (5). El lazo del cable de extensi6n debe ser lo suficientemente largo para que el retenedor de cable se deslice libremente de un lado al otro. Enchufe el cable de extensi6n en el enchufe del cable de alimentaci6n del rotocultivador.



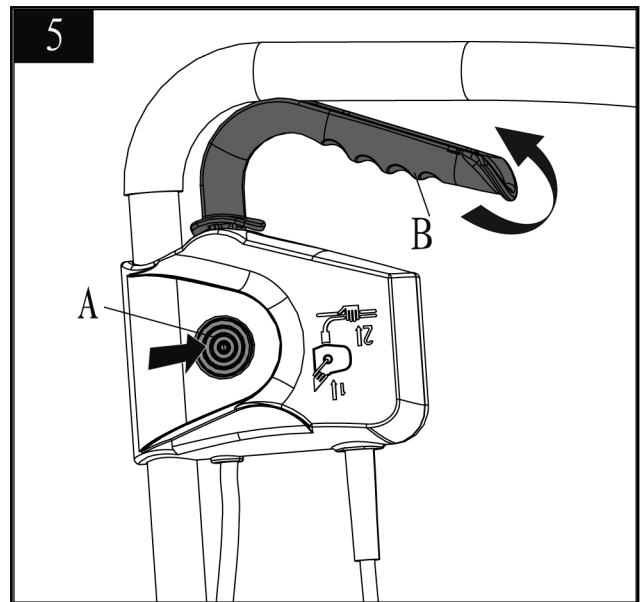
Utilice el rotocultivador para cavar el c6sped, preparar semilleros, y para cultivar jardines y canteros de flores. Esta herramienta tambi6n puede cavar peque6os pozos para plantar v6stagos o plantas en macetas.

Transporte el rotocultivador hasta el 6rea de trabajo antes de arrancar el motor.

Para soltar el bastidor de las ruedas, presione el bot6n de bloqueo que se encuentra en la parte trasera de la caja del motor. Baje el bastidor y tire del pasador de bloqueo que se encuentra en el mango inferior. Alinee el pasador de bloqueo con el orificio del bastidor, luego su6ltelo para trabar el bastidor de las ruedas en posici6n. (Ver Fig. 2-2)

Sostenga el rotocultivador firmemente mientras lo enciende. Las p6as llevar6n el rotocultivador hacia delante durante la operaci6n. Baje las p6as lentamente con la barra gui6a.

Para encender el rotocultivador, presione y sostenga el bot6n de bloqueo de seguridad (A) sobre el interruptor de seguridad y luego tire la palanca del gatillo (B) hacia arriba y contra la barra del mango. El motor arrancar6 y las p6as comenzar6n a girar. Para detenerlo, simplemente suelte la palanca.



Para cavar el c6sped o labrar en profundidad, deje que las p6as tiren el rotocultivador hacia delante hasta el extremo del alcance de su brazo, luego t6relo firmemente hacia usted. Obtendr6 los mejores resultados si deja que la herramienta avance y retroceda repetidamente.

Al tirar el rotocultivador hacia usted, las p6as cavar6n con m6s profundidad y m6s intensidad.

Para evitar que se desconecte, tome precauciones adicionales al moverse hacia atr6s y al tirar el rotocultivador hacia usted.

Si el rotocultivador cava lo suficientemente profundo para mantenerse en un solo lugar, mu6valo suavemente de un lado hacia otro hasta que comience a avanzar otra vez.

No pase el rotocultivador sobre el cable de extensi6n. Cerci6rese de que el cable est6 siempre en una posici6n segura detr6s suyo.

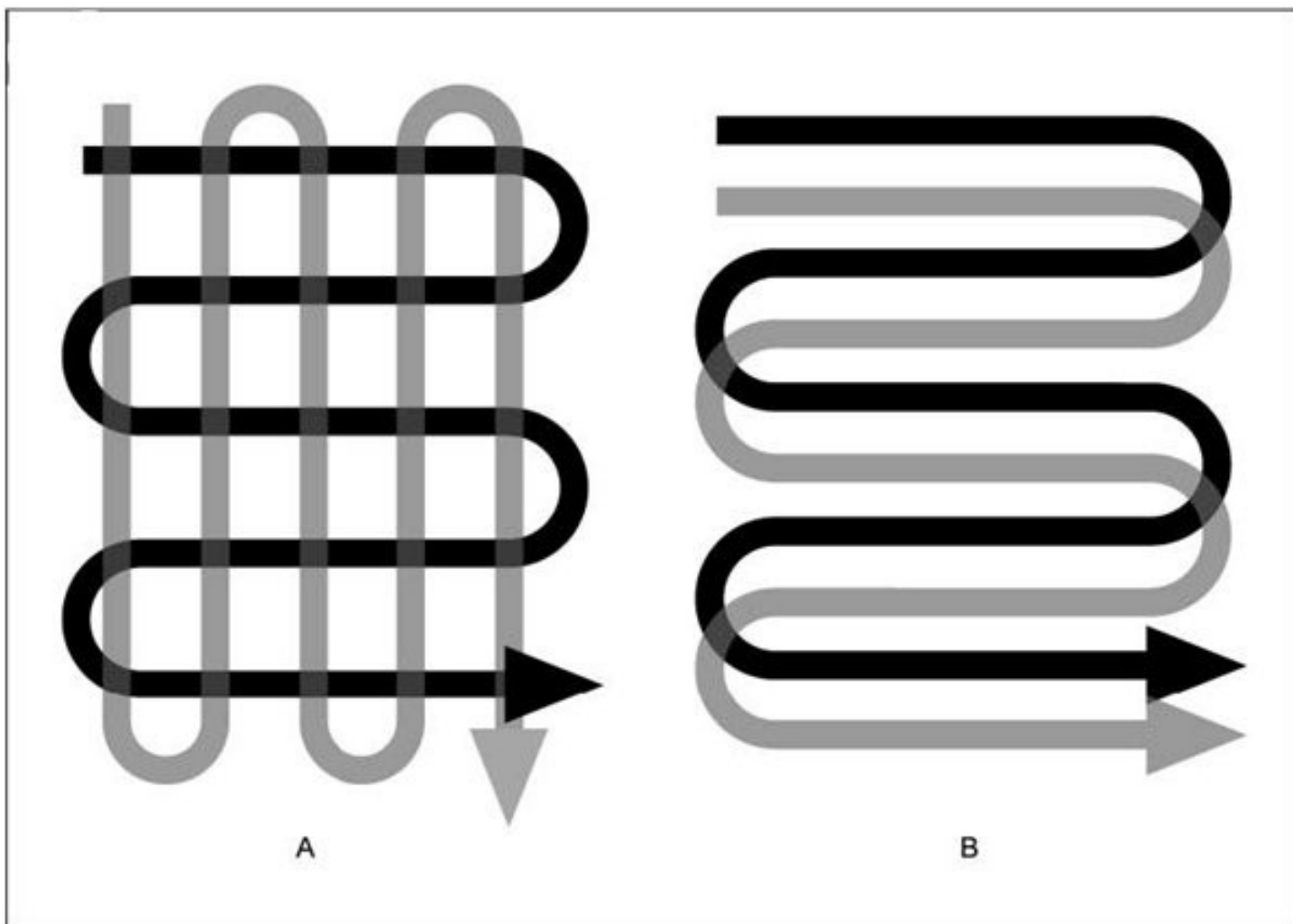
Cuando trabaje en pendientes, siempre p6rese en diagonal con respecto a la inclinaci6n para conservar una base de apoyo firme y segura. No trabaje en pendientes demasiado pronunciadas.

FUNCIONAMIENTO

Para preparar semilleros, recomendamos usar estos patrones de labranza:

Patrón de labranza A: Realice dos pasadas sobre el área a ser labrada, la segunda en ángulo recto con respecto a la primera.

Patrón de labranza B: Realice dos pasadas sobre el área a ser labrada, la segunda superpuesta a la primera.



Antes de usar, retire las piedras u otros cuerpos extraños visibles del área.



PRECAUCIÓN: Antes de mover el rotocultivador de un área a otra, desconecte el motor y espere a que las púas se detengan por completo. Sea cuidadoso y evite que las púas toquen el suelo cuando mueva el rotocultivador. Las púas y también la unidad pueden dañarse aún cuando el motor está desconectado.

Quitar los objetos extraños:

Durante la operación, es posible que queden piedras o raíces atascadas en las púas, o que queden pastos altos o malezas en el eje de las púas. Para despejar las púas o su eje, suelte la palanca del gatillo, espere a que las púas se detengan por completo y desenchufe el rotocultivador. Desplace o retire las sustancias extrañas de las púas o de su eje. Para retirar el césped alto o las malezas del eje de las púas con facilidad, quite una o más púas. Consulte la sección Extracción e instalación de púas.

MANTENIMIENTO

Antes de realizar tareas de mantenimiento, desconecte el suministro eléctrico.

Antes de cada uso, revise el cable de extensión para detectar si está gastado o dañado. Reemplácelo si tiene grietas, fisuras u otro tipo de daños. Inspeccione el estado de las púas y asegúrese de que todas las conexiones roscadas estén firmemente ajustadas. Si las púas se desafilan, afílelas o reemplácelas. Comuníquese con nuestra línea de ayuda de atención al cliente al 1-800-313-5111 para recibir asistencia.

Una vez por estación, lubrique las púas y el eje. Al final de la estación, inspeccione el rotocultivador para detectar daños antes de guardarlo. Repare o reemplace las piezas dañadas o rotas.

PRECAUCIÓN: Limpie siempre el rotocultivador después de cada uso. Si no se realiza una correcta limpieza del rotocultivador, éste podría dañarse o no funcionar correctamente.

Limpie la parte interior de la caja y la placa de soporte del motor alrededor de las púas con un cepillo de fregar y un paño humedecido con una mezcla de jabón suave y agua. **No utilice una manguera con agua para limpiar el rotocultivador.** Para quitar la tierra y los residuos de la transmisión y las púas, utilice un cepillo rígido o un paño húmedo. Limpie las ventilaciones de la caja del motor y retire los restos de césped o suciedad. Después de limpiarlos, seque las púas y el eje, y aplique una capa fina de aceite para evitar el óxido.

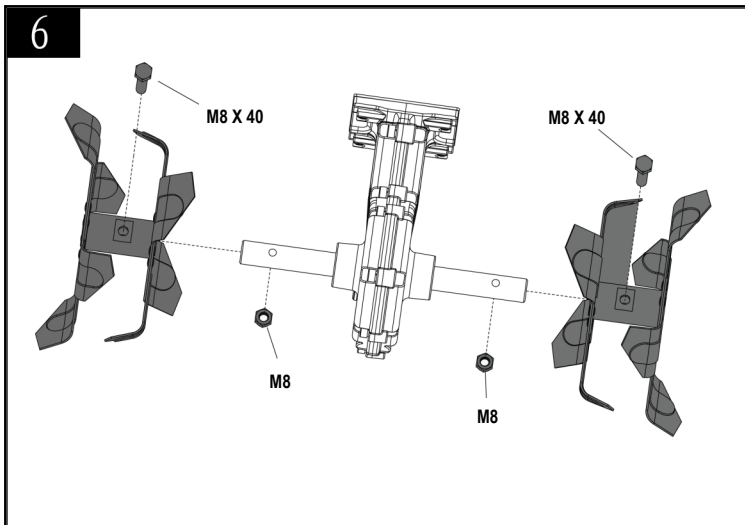
Extracción e instalación de púas (Fig. 6): Las púas gastadas producen malos resultados y sobrecargan el motor. Inspeccione las púas antes de cada uso. Afíle o reemplace las púas gastadas por nuevas, cuando sea necesario. Llame al 1-800-313-5111 para obtener asistencia.

ADVERTENCIA: Se pueden producir lesiones

Reemplace las piezas gastadas o dañadas sólo con piezas de repuesto originales. Las piezas provenientes de otro rotocultivador pueden no adaptarse adecuadamente, lo que provocaría una situación de inseguridad.

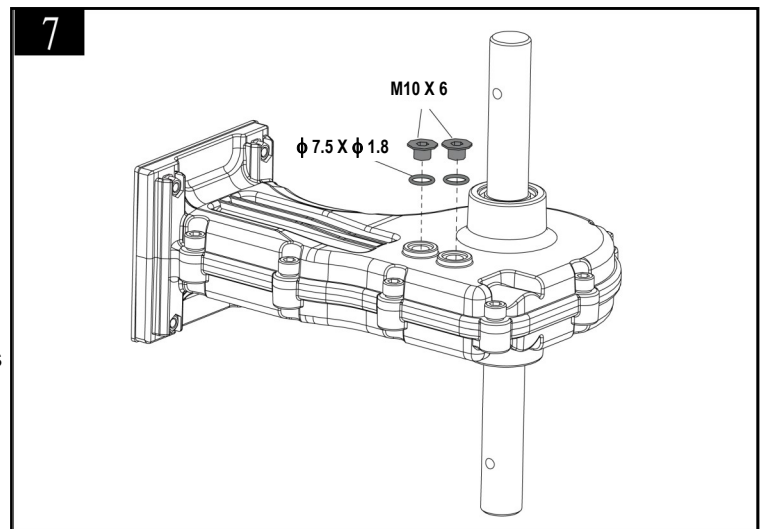
Cerciórese de que todos los dispositivos de protección estén bien firmes y en buenas condiciones. Repare o reemplácelos, si fuera necesario.

Lubricación (Fig. 7): La caja de transmisión de las púas viene engrasada de fábrica. No es necesario controlar el nivel de grasa ni se recomienda agregarle grasa durante los 2 primeros años de uso. Después de la segunda temporada de uso, siga las indicaciones que se describen a continuación:



! mientras se trabaja con las púas. Utilice guantes de protección.

Para quitar el conjunto completo de las púas del eje, retire el perno con cabezal hexagonal del eje. Retire el conjunto de las púas del eje. Para instalar las púas, realice los pasos anteriores en el orden inverso.



Los tapones roscados de drenaje están ubicados a la derecha de la caja de la transmisión. Coloque el rotocultivador sobre el lado izquierdo y quite la suciedad o los desechos de la transmisión antes de retirar ambos tapones roscados de drenaje. Si fuera necesario, quite el conjunto de las púas para tener mejor acceso a los tapones roscados de drenaje. Utilice una llave hexagonal de 5 mm para desenroscar los tapones.

Utilizando un envase o una botella que se pueda presionar, agregue aproximadamente 70ml (2,4 oz.) de lubricante para engranaje de automóviles. No permita que rebalse. Cuando haya terminado, vuelva a colocar los dos tapones roscados de drenaje en la transmisión.

ALMACENAMIENTO

Guarde el rotocultivador en un lugar seco y limpio, y fuera del alcance de los niños.

Durante períodos largos de almacenamiento, asegúrese de que el rotocultivador esté protegido de la corrosión y la escarcha.

Al final de la temporada, o si el rotocultivador no se utilizó durante más de un mes, pase un paño impregnado con aceite por todas las superficies metálicas para protegerlas de la corrosión o rocíaselas con una capa fina de aceite. Pliegue la barra guía hacia abajo y almacene el rotocultivador en un lugar apropiado.

DETECCIÓN Y SOLUCIÓN DE PROBLEMAS

Problema	Posibles causas	Solución
El motor no arranca	<p>La unidad no está enchufada</p> <p>No hay electricidad</p> <p>Cable defectuoso</p> <p>Interruptor de seguridad o enchufe defectuosos</p> <p>Protección contra recalentamiento activada</p>	<p>Enchufe la unidad.</p> <p>Revise el suministro eléctrico.</p> <p>Revise el cable. Repare o reemplácelo, si fuera necesario.</p> <p>Disponga su reparación.</p> <p>1. La profundidad de trabajo es demasiado grande, determine una profundidad menor. 2. Las cuchillas están bloqueadas, quite la obstrucción. 3. El suelo es demasiado duro, seleccione una profundidad de trabajo correcta y mueva hacia adelante y hacia atrás varias veces mientras reduce la velocidad de trabajo. Espere unos 15 minutos hasta que el motor se enfríe antes de volver a usar la herramienta.</p>
Ruidos extraños	<p>La cuchilla está atascada</p> <p>Falta de lubricación</p> <p>Pernos, tuercas u otros componentes flojos</p>	<p>Apague la unidad. Espere hasta que las púas se detengan por completo. Quite los objetos atascados.</p> <p>El rotocultivador debe ser reparado. Comuníquese con nuestra línea de ayuda de atención al cliente al 1-800-313-5111 para recibir asistencia.</p> <p>Ajuste bien todos los componentes. Disponga la reparación si persisten los ruidos.</p>
Vibraciones inusuales	<p>Las cuchillas están dañadas o gastadas</p> <p>La profundidad de trabajo es demasiado grande</p>	<p>Reemplace las cuchillas dañadas o gastadas.</p> <p>Fije a la profundidad de trabajo correcta.</p>
Resultados no deseados	<p>La profundidad de trabajo es demasiado reducida</p> <p>Cuchillas gastadas</p>	<p>Fije a la profundidad de trabajo correcta.</p> <p>Reemplace las cuchillas dañadas o gastadas.</p>



¡LLÁMENOS PRIMERO!

Llámenos primero si tiene preguntas sobre el funcionamiento o el mantenimiento de este producto al 1.800.313.5111, de 7:30 a 16:30, hora estándar del este, o envíe un correo electrónico a earthwise@reelin.com.

American Lawn Mower Company
 The Great States Corporation
 7444 Shadeland Station Way,
 Indianapolis, IN 46256, Estados Unidos
 Teléfono 1-800-313-5111
www.earthwisetools.com



MANUAL DEL OPERARIO

Este producto está amparado por patentes de EE. UU. y otras patentes internacionales.

Copyright. Todos los derechos reservados.

POLÍTICA DE GARANTÍA

Garantía limitada dos (2) años para el equipo eléctrico para exteriores Earthwise.

Earthwise garantiza al propietario original que cada producto nuevo y pieza de repuesto está libre de defectos en el material y la mano de obra, y acepta reparar o reemplazar cualquier producto o pieza defectuosa durante el periodo de garantía según lo establecido anteriormente a partir de la fecha de compra original excepto en las condiciones y circunstancias que se indican a continuación:

La garantía se aplica solo al comprador original al menudeo y no puede transferirse.

La garantía se aplica si el producto está destinado para uso personal, doméstico o familiar. La garantía queda anulada si el producto se usa con fines comerciales, industriales o de alquiler.

La garantía no incluye reparaciones necesarias debido a abuso o negligencia por parte del operador (incluida la sobrecarga del producto que supere la capacidad o inmersión en el agua), o un error al montar, operar, mantener o almacenar el producto de acuerdo con las instrucciones del manual del operador.

Esta garantía no es transferible y solo se aplica a productos vendidos directamente por un distribuidor minorista autorizado. Esta garantía no se aplica a cualquier producto, nuevo o usado, adquirido a través de canales de terceros no autorizados.

CUALQUIER PÉRDIDA ACCIDENTAL, INDIRECTA O RESULTANTE, DAÑO O GASTO QUE PUEDA DERIVAR DE CUALQUIER DEFECTO, FALLA O MALFUNCIONAMIENTO DEL PRODUCTO NO ESTÁ CUBIERTO POR LA GARANTÍA. En algunos estados no se permite la exclusión o limitación sobre la duración de las garantías implícitas, en cuyo caso la limitación anterior no podría aplicarse.

Todos los reclamos de garantía deben estar acompañados por el comprobante de compra, el recibo de compra original con fecha.

Los productos que se venden dañados o incompletos, que se venden "tal como están" o reacondicionados no están cubiertos por esta garantía.

Los daños o inconvenientes causados por envío, manipulación inadecuada, montaje incorrecto, voltaje o cableado incorrecto, mantenimiento deficiente, modificaciones inadecuadas o el uso de accesorios o dispositivos de sujeción no recomendados específicamente no están cubiertos por esta garantía.

Elementos consumibles que se desgastan con el uso normal cubierto por la garantía.

La garantía no cubre los daños causados por el frío, el calor, la lluvia, la humedad excesiva, ambientes y materiales corrosivos u otros contaminantes.

La garantía no incluye instalación, montaje o ajustes normales tal como se explican en el manual del operador.

Los gastos de entrega del producto al proveedor y los gastos de devolución del producto o las piezas de repuesto al propietario no están cubiertos por esta garantía.

La garantía no cubre el deterioro normal del acabado exterior, que incluye pero no se limita a rayones, abolladuras, cascarillas de pintura o cualquier corrosión o decoloración ocasionada por el calor, limpiadores abrasivos o químicos.



American Lawn Mower Company
The Great States Corporation
7444 Shadeland Station Way,
Indianapolis, IN 46256, Estados Unidos
Teléfono 1-800-313-5111
www.earthwisetools.com

Con el compromiso constante de mejorar la calidad, el fabricante se reserva el derecho de modificar los componentes o diseñar cambios cuando lo considere necesario.



MANUAL DEL OPERARIO

Rotocultivador

Este producto está amparado por patentes de EE. UU. y otras patentes internacionales.

Copyright. Todos los derechos reservados.

SERVICIO TÉCNICO

Ahora que adquirió su rotocultivador, si alguna vez necesitara servicio técnico o repuestos, simplemente comuníquese con nosotros al 1-800-313-5111. Asegúrese de proporcionar toda la información pertinente cuando nos llame o visite.

REPUESTOS

Registre su número de serie en el espacio provisto a continuación.

- NOMBRE DEL ELEMENTO Rotocultivador
- NÚMERO DE MODELO TC70001
- NÚMERO DE SERIE

American Lawn Mower Company
The Great States Corporation
7444 Shadeland Station Way,
Indianapolis, IN 46256, Estados Unidos
Teléfono 1-800-313-5111
www.earthwisetools.com

Con el compromiso constante de mejorar la calidad, el fabricante se reserva el derecho de modificar los componentes o diseñar cambios cuando lo considere necesario.



MANUEL DE L'UTILISATEUR

Cultivateur/griffe

Ce produit est protégé par des brevets américains et d'autres brevets internationaux.

Copyright. Tous droits réservés.

Modèle TC70001



Ce produit a été conçu et fabriqué selon notre norme élevée de fiabilité, de facilité d'utilisation et de sécurité de l'utilisateur. Correctement entretenu, il vous procurera des années de service intensif et sans soucis.



AVERTISSEMENT : Afin d'éviter de se blesser, l'utilisateur doit lire et comprendre le manuel de l'utilisateur avant d'utiliser ce produit.

Merci pour votre achat.

NE RENVOYEZ PAS CE PRODUIT AU MAGASIN. AVEZ-VOUS DES QUESTIONS CONCERNANT LE FONCTIONNEMENT, L'ASSEMBLAGE, LES PIÈCES OU LA RÉPARATION DU PRODUIT? COMPOSEZ LE 1-800-313-5111 ENTRE 08 h et 17 h, HEURE NORMALE DE L'EST, POUR TOUTE ASSISTANCE.

CONSERVEZ CE MANUEL POUR POUVOIR LE CONSULTER ULTÉRIEUREMENT

TABLE DES MATIÈRES

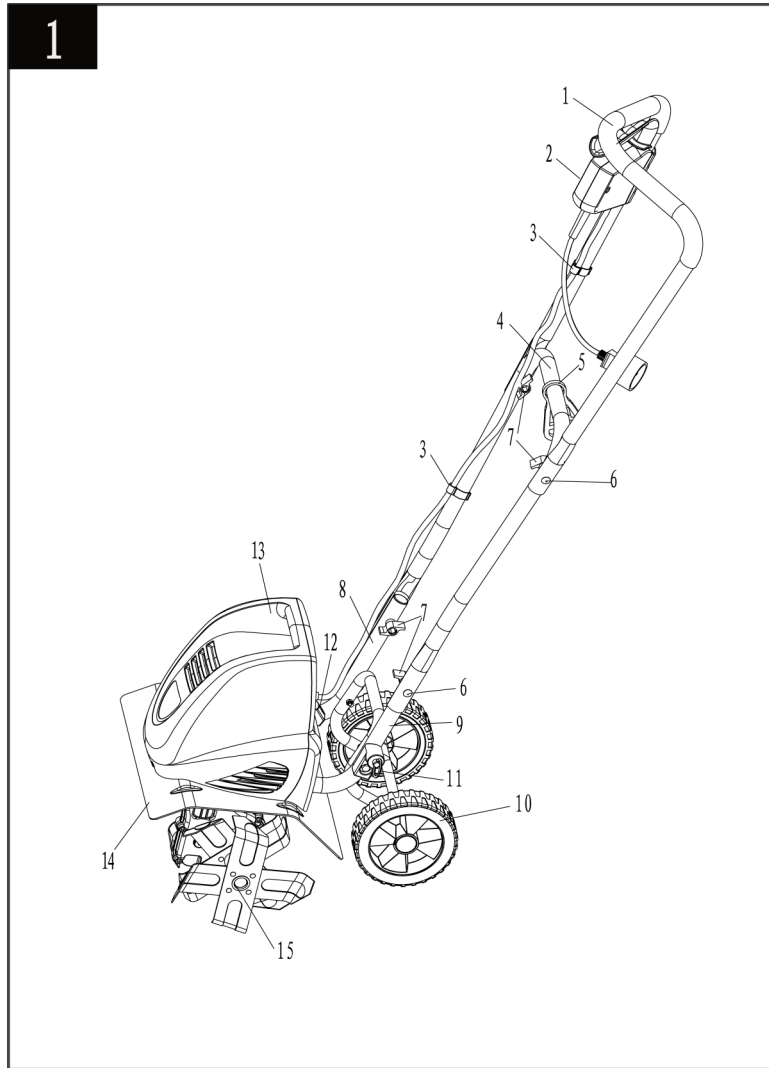
Spécifications produit	2	Entretien	9
Symboles	3	Remisage	10
Avertissements de sécurité	4 - 5	Dépannage	10
Assemblage	6	Garantie	11
Utilisation	7 - 8		

SPÉCIFICATIONS DU PRODUIT

Modèle : TC70001

Tension d'alimentation :	120 V – 60 HZ	Largeur du sillon :	28 cm/11 po
Ralenti :	320 tr/m	Profondeur maximale de labour :	20 cm/8 po
Consommation :	8,5 A		

Liste des pièces



1	Section supérieure du guidon (RTC00055 / RTC00056)	9	Section inférieure du guidon (gauche - RTC00046)
2	Ensemble contacteur et câble d'alimentation (RTC00057)	10	Roue (RTC00042)
3	Attache de câble (RTC00051)	11	Goupille de verrouillage (RTC00045)
4	Section centrale du guidon (RTC00050)	12	Bouton de verrouillage
5	Dispositif de retenue de câble (RTC00053)	13	Carter du moteur (RTC00001)
6	Boulon M6 x 45 (RTC00052)	14	Plaque-support du moteur (RTC00016)
7	Écrou à oreilles (RTC00054)	15	Ensemble de dents (droite - RTC00025 / gauche - RTC00036)
8	Section inférieure du guidon (droite - RTC00048)		

SYMBOLES

Certains des symboles suivants pourraient être utilisés avec ce produit. Veuillez les étudier et apprendre leur signification. Une interprétation correcte de ces symboles vous permettra d'utiliser le produit plus efficacement et de façon plus sûre.



Mesures de précaution pour votre sécurité.



Lisez le manuel d'instructions et respectez tous les avertissements et toutes les instructions de sécurité!



METTRE HORS TENSION! Débranchez immédiatement la fiche de la prise si le câble est endommagé ou coupé.



METTRE HORS TENSION! Débranchez la fiche de la prise avant le nettoyage ou l'entretien.



N'utilisez pas l'outil dans des conditions mouillées.



Portez une protection pour les yeux et les oreilles.



Maintenez les personnes à une distance de sécurité.



DANGER! Lames rotatives. Gardez les mains et les pieds à une distance de sécurité.



DANGER! Risque de blessures par projection d'objets.



Les équipements électriques usagés ne doivent pas être éliminés avec les ordures ménagères. Recyclez l'appareil dans des lieux spécialement prévus à cet effet. Pour obtenir des conseils de recyclage, communiquez avec les autorités locales ou votre vendeur.



AVERTISSEMENTS IMPORTANTS DE SÉCURITÉ



POUR RÉDUIRE LE RISQUE DE BLESSURE : Avant toute utilisation, assurez-vous que toute personne utilisant ce produit a lu et compris toutes les consignes de sécurité et les autres renseignements contenus dans ce manuel.



ATTENTION : Portez des protections appropriées pour les oreilles pendant l'utilisation. Dans certaines conditions et durées d'utilisation, le bruit émis par ce produit peut contribuer à une perte auditive.

Conservez ces instructions et relisez-les souvent avant d'utiliser le produit et pour instruire d'autres personnes quant à son utilisation.



AVERTISSEMENT : Lors de l'utilisation d'outils électriques de jardinage, les consignes de sécurité de base doivent toujours être suivies afin d'éviter les incendies, décharges électriques et blessures, notamment :

LIRE TOUTES LES INSTRUCTIONS

SÉCURITÉ GÉNÉRALE

VÉRIFIER LES PIÈCES ENDOMMAGÉES – Avant de poursuivre l'utilisation du cultivateur, toute pièce endommagée doit être vérifiée avec précaution afin de déterminer qu'elle fonctionnera correctement et remplira sa fonction prévue. Vérifiez l'alignement des pièces mobiles, si ces dernières sont coincées, si certaines pièces sont brisées, la qualité du montage et toute autre condition pouvant affecter le fonctionnement de l'outil. Toute pièce endommagée doit être correctement réparée ou remplacée. Appelez notre service clientèle au 1-800-313-5111 pour obtenir de l'assistance.

ÉVITER LES ENVIRONNEMENTS DANGEREUX – N'utilisez pas ce produit sous la pluie, lors d'une tempête, ou dans des endroits humides ou mouillés. N'utilisez pas dans des atmosphères gazeuses ou explosives. Les moteurs de ces produits émettent normalement des étincelles, qui pourraient enflammer les vapeurs.

GARDER HORS DE PORTÉE DES ENFANTS – Tous les visiteurs, enfants et animaux domestiques doivent rester au-delà d'un périmètre de sécurité de la zone de travail.

S'HABILLER DE FAÇON APPROPRIÉE – Ne portez pas de vêtements amples ou de bijoux et utilisez une protection pour les cheveux longs le cas échéant. Ceux-ci peuvent être happés par des pièces mobiles. L'utilisation de gants en caoutchouc et de chaussures robustes est recommandée pour les travaux à l'extérieur.

PORTER DES LUNETTES DE SÉCURITÉ – Lors de l'utilisation de ce produit, portez des lunettes de sécurité avec des écrans latéraux affichant une marque de conformité à la norme ANSI Z87.1. Portez un masque facial ou anti-poussière si l'environnement est poussiéreux.

DOUBLE ISOLATION – Le cultivateur/la griffe est doté d'une double isolation. Autrement dit, toutes les pièces externes en métal sont isolées de l'alimentation électrique. Ce résultat est obtenu en introduisant une couche isolante entre les pièces électriques et mécaniques. Cette double isolation vous assure la plus grande sécurité possible.

RALLONGE – Assurez-vous que la rallonge est en bon état. Lors de l'utilisation d'une rallonge, assurez-vous qu'elle est d'un calibre suffisant pour transmettre le courant appelé par le produit. Une rallonge de calibre insuffisant provoquera une baisse de tension qui entraînera une perte de puissance et une surchauffe. Le tableau suivant montre le calibre correct à utiliser en fonction de la longueur du câble et de l'intensité nominale de la plaque signalétique. En cas de doute, utilisez le calibre immédiatement supérieur. Plus le numéro de calibre est bas, plus le câble est lourd.

Volts	Calibre minimum pour les ensembles de câbles			
	Longueur totale du câble en pieds			
120V	0-25	26-50	51-100	101-150
240V	0-50	51-100	101-200	201-300
Intensité nominale		Calibre américain (AWG)		
Supérieure à	Inférieure à			
0	6	18	16	16
6	10	18	16	14
10	12	16	16	14
12	16	14	12	Non recommandé



AVERTISSEMENT : Utilisez des rallonges extérieures marquées SW-A, SOW-A, STW-A, STOW-A, SJW-A, SJTWA ou SJTOWA. Ces câbles sont conçus pour une utilisation extérieure et réduisent le risque de décharge électrique.

Il est possible de nouer la rallonge et le câble d'alimentation afin de les empêcher de se déconnecter pendant l'utilisation. Effectuez le nœud comme illustré, branchez ensuite la prise du câble d'alimentation dans l'extrémité femelle de la rallonge. Cette méthode peut également être utilisée pour raccorder deux rallonges ensemble.



Surveillez la rallonge lorsque vous utilisez le cultivateur/la griffe. Veillez à ne pas trébucher dessus. Guidez toujours le câble loin des dents de l'appareil.

PROTECTION SURCHAUFFE – Si le cultivateur/la griffe est bloqué par un corps étranger ou si le moteur est surchargé, il est arrêté automatiquement par le dispositif de protection. Relâchez le levier de commande et laissez le moteur refroidir (environ 15 minutes) avant de redémarrer le cultivateur.

SÉCURITÉ GÉNÉRALE

Une protection par DISJONCTEUR DE FUITE DE TERRE (GFCI) doit être présente sur le ou les circuits ou prises à utiliser pour le cultivateur. Des prises avec une protection GFCI intégrée sont disponibles et peuvent être utilisées.

DÉBRANCHER L'APPAREIL de l'alimentation quand il n'est pas utilisé ou lors de l'entretien ou du nettoyage. Ne le laissez pas sans surveillance.

NE PAS TIRER SUR LE CÂBLE D'ALIMENTATION – Ne portez jamais ce produit par le câble d'alimentation et ne tirez jamais celui-ci pour le débrancher. Maintenez le câble à l'écart de la chaleur, de l'huile et des bords tranchants.

UTILISER LE BON OUTIL – N'utilisez pas ce produit pour une tâche pour laquelle il n'a pas été conçu.

NE PAS DÉPASSER LES LIMITES DE L'APPAREIL – Guidez le cultivateur/la griffe uniquement à une vitesse normale de marche. Gardez en tout temps une assise correcte et un bon équilibre.

ÉCLAIRAGE – N'utilisez le cultivateur/la griffe qu'à la lumière du jour ou sous un bon éclairage artificiel.

RANGER L'APPAREIL À L'INTÉRIEUR – Lorsqu'il n'est pas utilisé, le cultivateur/la griffe doit être rangé à l'intérieur dans un endroit sec et hors de portée des enfants.

ENTREtenir L'APPAREIL AVEC SOIN – Maintenez-le propre pour assurer un rendement optimal et réduire le risque de blessure. Inspectez régulièrement la rallonge et remplacez-la si elle est endommagée. Maintenez les guidons secs, propres et exempts d'huile.


FICHES POLARISÉES – Afin de réduire le risque de décharge électrique, cet équipement comporte une prise polarisée. Les connexions polarisées ne peuvent être effectuées que dans un sens. Assurez-vous que la prise femelle de la rallonge comporte des emplacements pour une fiche large et une fiche étroite. Si la prise ne s'adapte pas entièrement dans la rallonge, inversez la prise.

Si elle ne s'adapte toujours pas, obtenez une rallonge appropriée. Si la rallonge ne s'adapte pas entièrement dans la prise murale, contactez un électricien qualifié pour installer la prise correcte. Ne changez en aucun cas la prise de l'outil ou de la rallonge.


N'utilisez pas le cultivateur/la griffe sur une pente trop abrupte pour assurer son fonctionnement sans danger. Lors d'un travail sur des pentes, ralentissez et assurez-vous d'avoir une bonne prise.

Avant de démarrer le cultivateur, assurez-vous que les dents ne touchent aucun objet et fonctionnent sans obstruction.

Tenez le guide fermement des deux mains. N'utilisez jamais le cultivateur/la griffe avec une seule main.


 **ATTENTION** : Le cultivateur/la griffe peut rebondir vers le haut ou vers l'avant si les dents frappent du sol très tassé, gelé, ou des obstacles enfouis, comme des grosses pierres, des racines ou des souches.

RESTER VIGILANT – Regardez ce que vous faites. Faites preuve de bon sens. N'utilisez pas le cultivateur/la griffe si vous êtes fatigué ou sous l'influence de médicaments, de drogues ou d'alcool.


 **AVERTISSEMENT** : N'utilisez pas le cultivateur/la griffe à proximité de câbles électriques, de lignes téléphoniques, de tuyaux ou de boyaux enfouis.


Si le cultivateur/la griffe heurte un corps étranger, arrêtez-le immédiatement, attendez que les dents arrêtent de tourner et vérifiez pour détecter des dommages. Si nécessaire, effectuez des réparations avant de le redémarrer.


Si le cultivateur/la griffe commence à vibrer de façon anormale, arrêtez-le immédiatement et recherchez la cause du problème. Des vibrations signalent généralement un problème.


 **DANGER : RISQUE DE COUPURES** – Portez des gants et faites preuve de prudence lorsque vous nettoyez ou effectuez l'entretien du cultivateur/de la griffe.

Arrêtez toujours le cultivateur/la griffe, débranchez-le de la source d'alimentation électrique et attendez que les dents arrêtent complètement de tourner avant d'effectuer tout entretien ou réparation.

 **ATTENTION** : Les dents ne s'arrêtent pas immédiatement de tourner après l'arrêt du cultivateur/ de la griffe.


 **ATTENTION** : Risque de blessures. N'approchez pas les mains, les pieds, toute partie du corps ou les vêtements des dents en rotation.

 **AVERTISSEMENT : Proposition 65 de la Californie** : Ce produit contient des agents chimiques connus dans l'État de la Californie pour causer le cancer et des malformations congénitales ou autres appareil reproducteur.

 **AVERTISSEMENT** : L'État de Californie considère que les poussières et débris créés par l'utilisation de cet outil sont susceptibles de contenir un ou plusieurs produits chimiques cancérigènes à l'origine de malformations congénitales ou d'autres troubles de l'appareil reproducteur. Parmi ces produits chimiques, citons :

- les produits chimiques contenus dans les engrais
- les composés d'insecticides, d'herbicides et de pesticides
- l'arsenic et le chrome du bois traité chimiquement

Votre risque d'exposition à ces produits chimiques varie en fonction de la fréquence d'exécution de ce type de travail. Afin de réduire l'exposition à ces produits chimiques, travaillez dans un endroit bien aéré et portez un équipement de sécurité homologué, comme un masque anti-poussière spécialement conçu pour filtrer les particules microscopiques.

 **AVERTISSEMENT** : Cancer ET Troubles de l'appareil reproducteur - www.P65Warnings.ca.gov.

ASSEMBLAGE

Ce produit doit être assemblé correctement avant d'être utilisé.

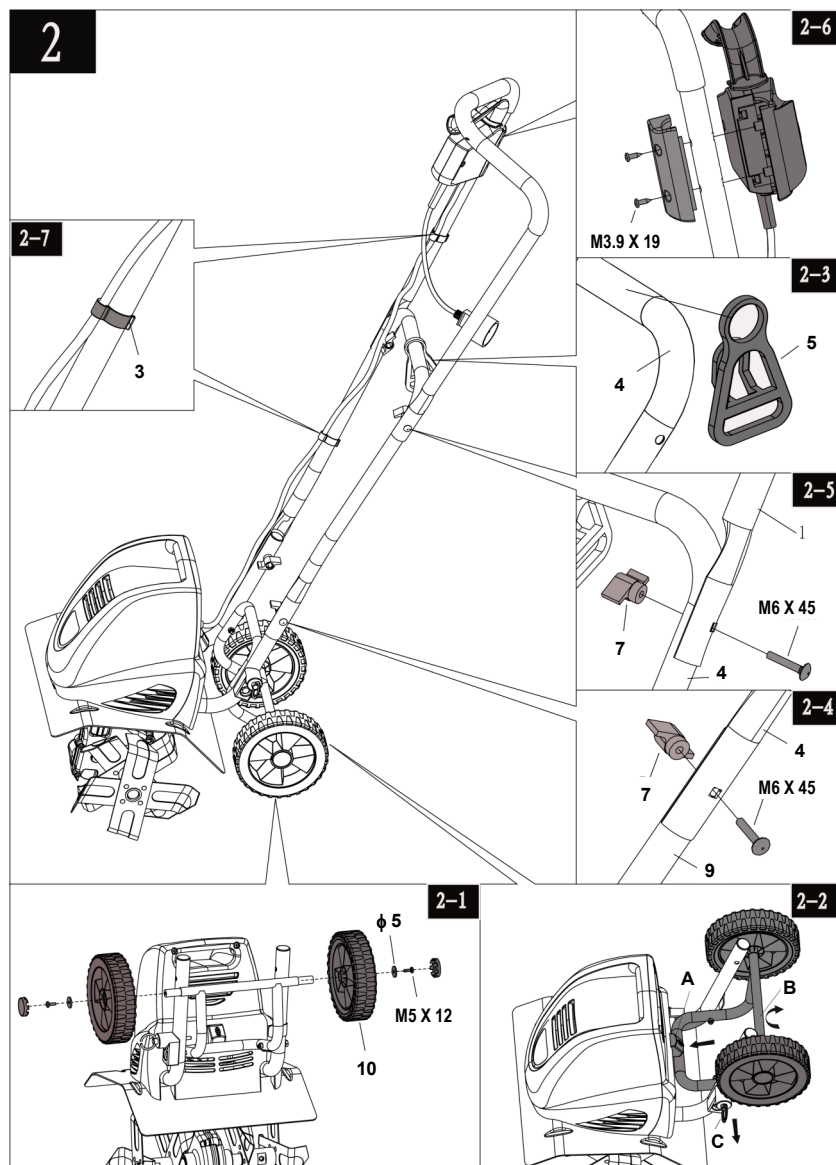
1. Enlevez les vis (M5 x 12) et les rondelles du châssis de roue. Insérez les roues sur l'essieu du châssis de roue, puis fixez les rondelles et les vis (M5 x 12) pour assujettir solidement. (Fig. 2-1)
2. Pressez pour enfoncer les garde-roue dans la roue et les garde-roue aux extrémités des essieux. Vous pouvez utiliser un marteau pour les asseoir solidement dans les roues. (Fig. 2-1)
3. Abaissez le châssis de roue en appuyant sur le bouton de verrouillage à l'arrière du carter de moteur pour dégager le châssis (Étape A). Abaissez le châssis de roue (Étape B) et retirez la goupille de verrouillage de la section inférieure du guidon (Étape C). Alignez la goupille de verrouillage avec le trou dans le châssis de roue, puis relâchez-la pour verrouiller en position le châssis de roue. (Fig. 2-2)
4. Faites glisser le dispositif de retenue de câble (5) sur la section centrale du guidon (4). (Fig. 2-3)
5. Fixez la section centrale du guidon (4) aux sections inférieures du guidon (9) en utilisant les deux boulons M6 X 45 (6) et les écrous à oreille fournis (7). (Fig. 2-4)
6. Attachez la section supérieure du guidon (1) à la section centrale du guidon (4) en utilisant les deux boulons M6 X 45 (6) et les écrous à oreille fournis (7) (Fig. 2-5).

7. Installez l'ensemble contacteur et câble d'alimentation sur la section supérieure du guidon en utilisant les deux boulons fournis (M3,9 X 19). (Fig. 2-6)
8. Utilisez les deux attaches de câble fournies (3) pour fixer solidement le câble. (Fig. 2-7)

AVERTISSEMENT : Si des pièces sont endommagées ou manquantes, n'utilisez pas ce produit tant qu'elles ne sont pas remplacées. Le non-respect de cette consigne peut entraîner des blessures graves. Appelez notre service clientèle au 1-800-313-5111 pour obtenir de l'assistance.

AVERTISSEMENT : Ne tentez pas de modifier ce produit ou de créer des accessoires non recommandés pour ce produit. Toute altération ou modification de ce type constitue une utilisation abusive et peut provoquer une condition dangereuse entraînant des blessures graves possibles.

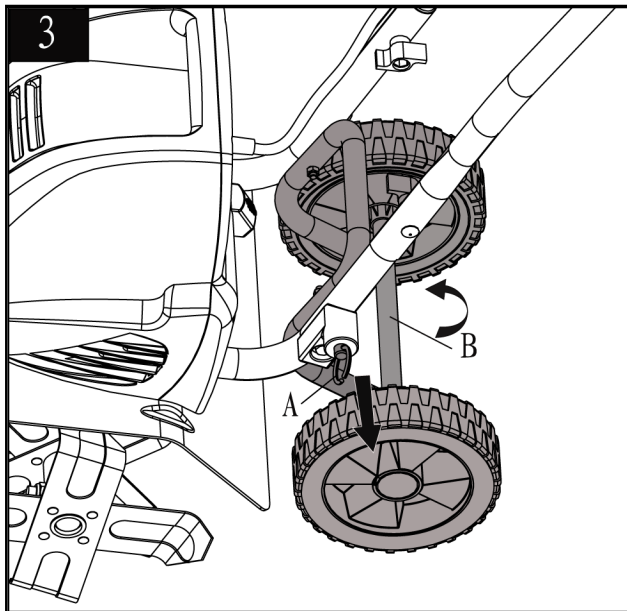
AVERTISSEMENT : Ne branchez pas l'alimentation tant que l'assemblage n'est pas terminé. Le non-respect de cette consigne peut entraîner un démarrage accidentel pouvant causer des blessures graves.



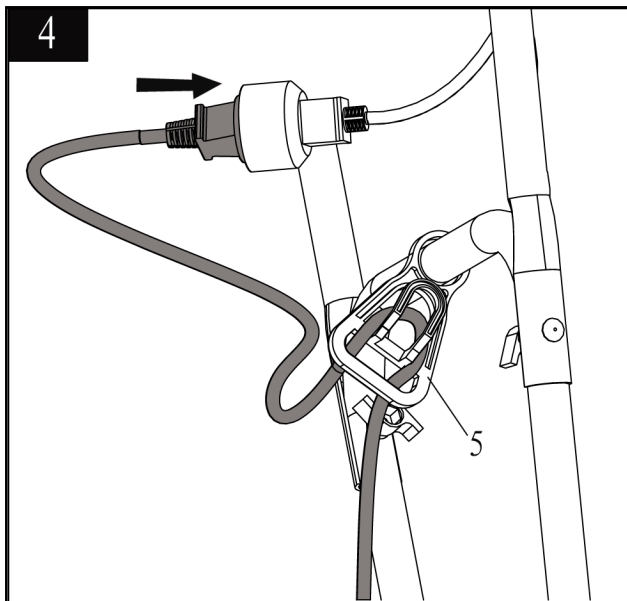
UTILISATION

DÉMARRAGE :

Assurez-vous que le châssis de roue est suffisamment relevé pour permettre le démarrage du cultivateur/de la griffe. Pour soulever le châssis, tirez la goupille de verrouillage (Étape A), faites tourner le châssis de roue vers le haut, au-delà du bouton de verrouillage situé à l'arrière du carter de moteur (Étape B), puis relâchez la goupille de verrouillage. Le châssis de roue sera verrouillé en place par le bouton de verrouillage. (Voir la Fig. 3)



Fixez solidement la rallonge dans le dispositif de retenue de câble (5). La boucle de la rallonge doit être suffisamment longue pour que le dispositif de retenue de câble puisse glisser librement d'un côté à l'autre. Branchez la



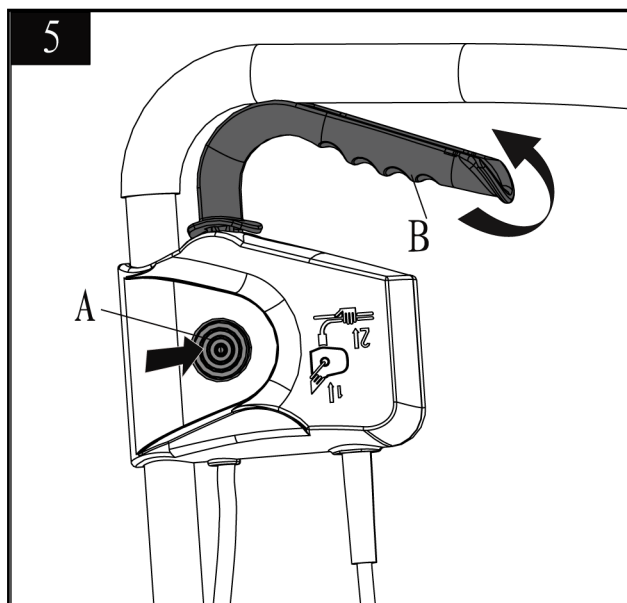
rallonge dans la prise du câble d'alimentation du cultivateur. Utilisez le cultivateur/la griffe pour briser du gazon de placage, préparer des lits de semence et cultiver des jardins et des massifs de fleurs. Le cultivateur/la griffe permet également de creuser de petits trous pour y planter des arbrisseaux ou des plantes en pot.

Déplacez le cultivateur/la griffe dans la zone de travail avant de démarrer le moteur.

Pour abaisser le châssis de roue, appuyez sur le bouton de verrouillage à l'arrière du carter de moteur afin de dégager le châssis. Abaissez le châssis de roue et retirez la goupille de verrouillage de la section inférieure du guidon. Alignez la goupille de verrouillage avec le trou dans le châssis de roue, puis relâchez-la pour verrouiller en position le châssis de roue. (Voir la Fig. 2-2)

Maintenez fermement le cultivateur/la griffe au démarrage. Les dents font avancer le cultivateur/la griffe pendant son fonctionnement. Abaissez lentement les dents en utilisant la barre de guidage.

Pour démarrer le cultivateur/la griffe, appuyez et maintenez sur le bouton de verrouillage de sécurité (A), sur le contacteur de sécurité et tirez sur le levier de commande (B) situé contre le guidon. Le moteur démarre et les dents commencent à tourner. Pour arrêter le cultivateur/la griffe, il suffit de relâcher le levier.



Pour briser le gazon de placage ou labourer en profondeur, laissez les dents tirer le cultivateur/la griffe pour qu'il se déplace vers l'avant jusqu'au bout de vos bras, puis tirez-le fermement vers vous. Vous obtiendrez les meilleurs résultats en laissant la machine avancer puis en la tirant vers vous.

En tirant le cultivateur/la griffe vers vous, les dents creuseront plus profondément et avec plus de vigueur.

Pour éviter de trébucher, prenez des précautions supplémentaires lorsque vous reculez et tirez vers vous le cultivateur/la griffe.

Si le cultivateur/la griffe creuse suffisamment pour rester au même endroit, faites-le osciller légèrement d'un côté à l'autre jusqu'à ce qu'il recommence à avancer.

Ne faites jamais passer le cultivateur/la griffe par-dessus la rallonge. Assurez-vous que le câble est toujours dans une position de sécurité, derrière vous.

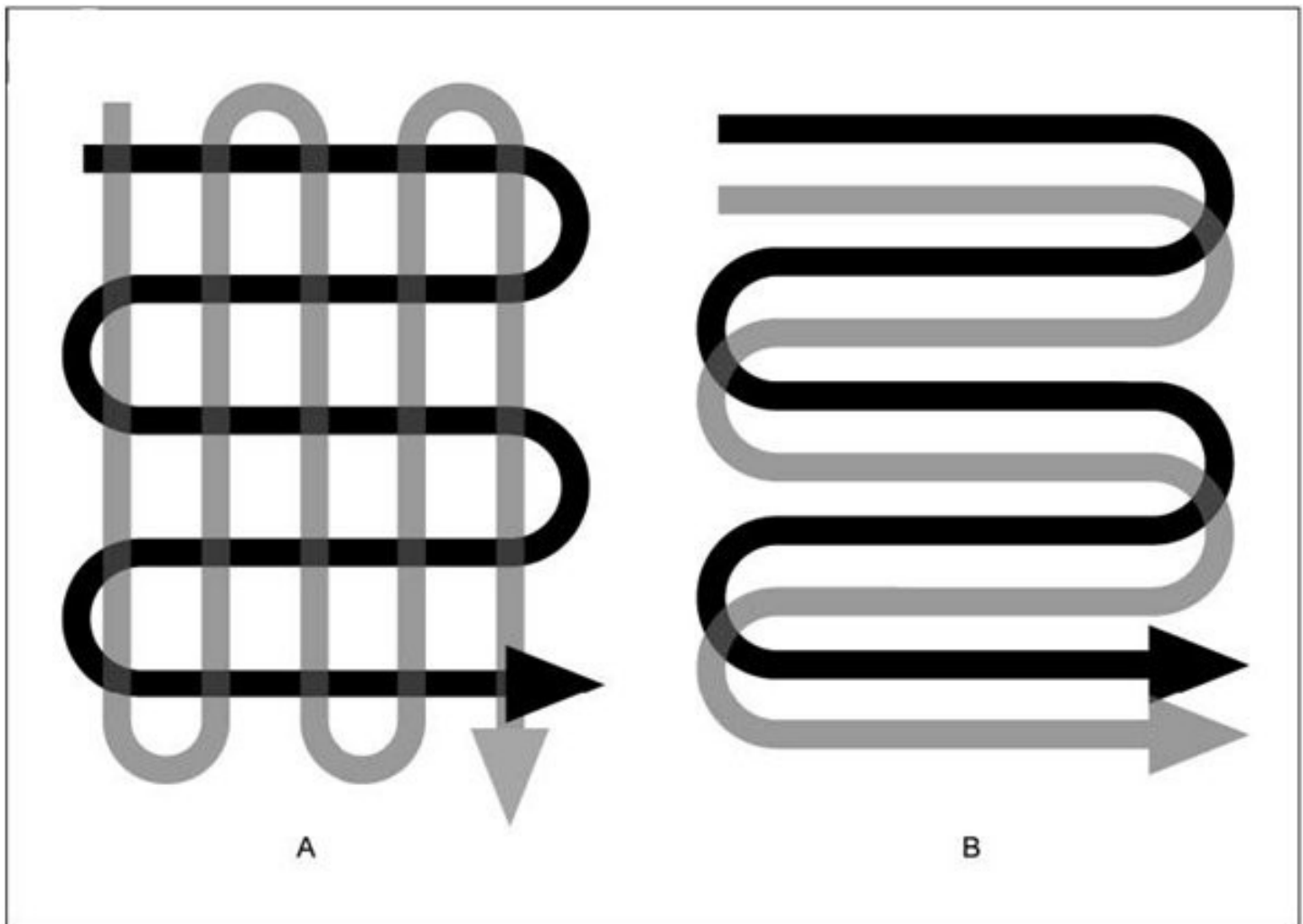
Lorsque vous travaillez sur des pentes, tenez-vous toujours en diagonale par rapport à la pente, pour maintenir une position ferme et sûre. Ne travaillez pas sur des pentes trop abruptes.

UTILISATION

Pour la préparation des lits de semences, nous recommandons d'utiliser un de ces motifs de labourage.

Motif de labourage A - Faites deux passes sur la surface à labourer, la seconde étant effectuée à angle droit par rapport à la première.

Motif de labourage B – Faites deux passes sur la surface à labourer, la deuxième chevauchant la première.



ATTENTION : Avant de déplacer le cultivateur/la griffe d'un endroit vers un autre, arrêtez le moteur et attendez que les dents s'arrêtent complètement de tourner. Assurez-vous que les dents n'entrent pas en contact avec le sol pendant le déplacement du cultivateur/de la griffe. Les dents, ainsi que l'appareil lui-même, peuvent subir des dommages, même si le moteur n'est pas en marche.

Enlèvement des corps étrangers :

Pendant l'utilisation, une pierre ou une racine pourrait se loger dans les dents, ou encore de grandes herbes ou des mauvaises herbes peuvent s'enrouler autour de l'arbre des dents. Pour nettoyer les dents ou leur essieu, relâchez le levier de commande, attendez que les dents arrêtent complètement de tourner et débranchez le cultivateur/la griffe. Enlevez les corps étrangers des dents ou de leur arbre. Pour simplifier l'élimination des grandes herbes ou des mauvaises herbes de l'arbre des dents, vous pouvez enlever une ou deux dents. Voir la section Dépose et installation des dents.

ENTRETIEN

Avant d'effectuer les opérations d'entretien, débranchez la prise d'alimentation électrique.

Avant chaque utilisation, vérifiez la rallonge pour y détecter des dommages ou de l'usure. Remplacez le câble s'il est fissuré, fendu, ou autrement endommagé. Vérifiez l'état des dents et assurez-vous que toutes les connexions filetées sont solidement serrées. Si les dents sont émoussées ou épointées, aiguisiez-les ou remplacez-les. Appelez notre service clientèle au 1-800-313-5111 pour obtenir de l'assistance.

Lubrifiez les dents et l'arbre **une fois par saison**. À la fin de la saison, vérifiez que le cultivateur/la griffe n'a pas subi de dommages avant de le remiser. Réparez ou remplacez les pièces endommagées ou brisées.



ATTENTION : Nettoyez toujours le cultivateur/la griffe après chaque utilisation. Un cultivateur/une griffe mal nettoyé risque de subir des dommages ou de fournir une piètre performance.

Nettoyez le dessous de la plaque-support de moteur et le logement autour des dents avec une brosse à récurer et un chiffon doux imbibé d'un mélange de savon doux et d'eau. **N'utilisez jamais un boyau d'arrosage pour nettoyer le cultivateur!** Pour enlever la terre et les débris de la transmission et des dents, utilisez une brosse dure ou un chiffon humide. Nettoyez les événements du carter de moteur et enlevez toute les herbes ou saletés restantes. Une fois nettoyé, essuyez pour sécher les dents et l'arbre et appliquez une fine couche d'huile pour prévenir la rouille.

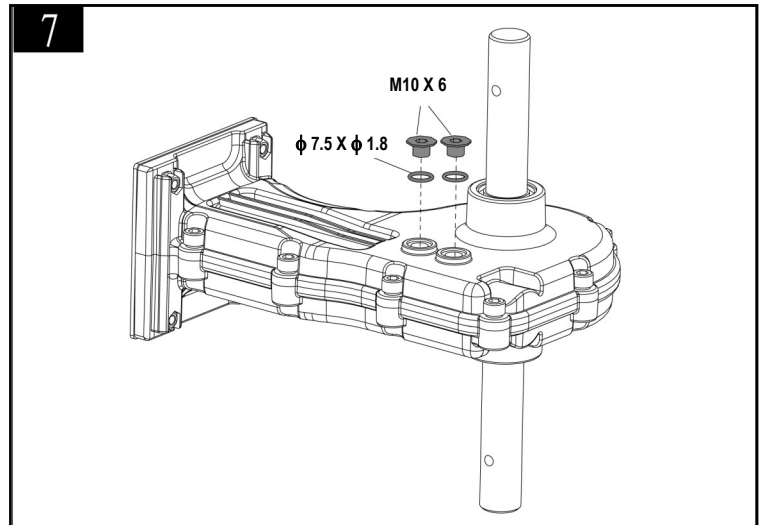
Dépose et installation des dents (Fig. 6) : Des dents usées entraînent une piètre performance et surchargent le moteur. Vérifiez les dents avant chaque utilisation. Aiguisiez ou remplacez les ensembles de dents par de nouvelles pièces lorsque nécessaire. Appelez le 1-800-313-5111 pour obtenir de l'aide.

AVERTISSEMENT : Un travail sur les dents entraîne des risques de blessures. Portez des gants protecteurs.

Remplacez les pièces usées ou endommagées uniquement par des pièces d'origine. Les pièces d'un autre cultivateur/griffe pourraient ne pas s'ajuster correctement et poser des risques.

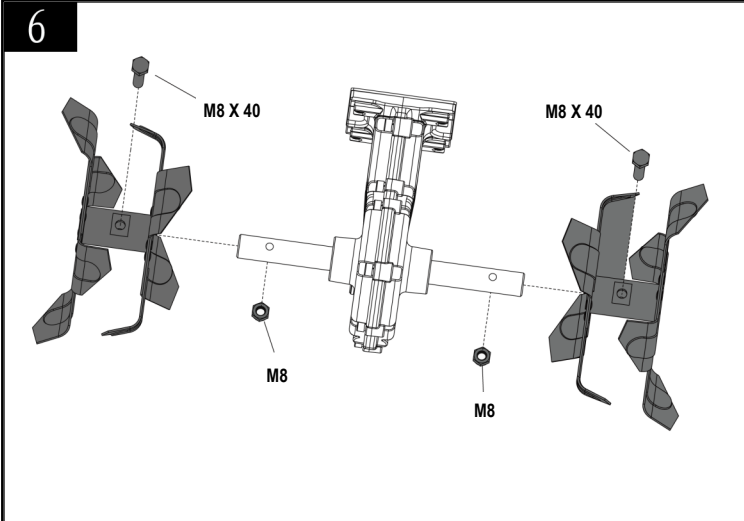
Assurez-vous que tous les dispositifs de protection sont fixés solidement et en bon état. Réparez ou remplacez si nécessaire.

Lubrification (Fig. 7) : La carter de transmission d'entraînement des dents est graissé en usine. Il n'est pas nécessaire de vérifier le niveau de graisse et il n'est pas recommandé d'ajouter de la graisse pendant les 2 premières années d'utilisation. Suivez les instructions ci-dessous après la deuxième saison d'utilisation :



Les bouchons à vis de vidange se trouvent sur le côté droit du carter de transmission. Penchez le cultivateur/la griffe sur son côté gauche et nettoyez la saleté et les débris de la transmission avant d'enlever les bouchons à vis de vidange. Si nécessaire, enlevez les ensembles de dents pour faciliter l'accès aux bouchons à vis de vidange. Utilisez une clé hexagonale de 5 mm pour dévisser les bouchons.

À l'aide d'un bidon compressible ou d'un tube, ajoutez environ 70 ml (2,4 oz.) d'huile d'engrenage automobile. Ne remplissez pas excessivement. Une fois le remplissage terminé, réinstallez les bouchons à vis de vidange dans la transmission.



Pour déposer l'ensemble complet de dents de l'arbre, dévissez de l'arbre le boulon à tête hexagonale M8 X 40. Déposez l'ensemble des dents de l'arbre. Refaites les étapes dans l'ordre inverse pour réinstaller les dents.

REMISAGE

Remisez le cultivateur/la griffe dans un endroit sec, propre et hors de portée des enfants.

Lors d'un remisage pendant des périodes de temps prolongées, assurez-vous que le cultivateur/la griffe est protégé contre la corrosion et le gel.

À la fin de la saison, ou si le cultivateur/la griffe n'est pas utilisé pendant plus d'un mois, essuyez toutes les surfaces en métal avec un chiffon imprégné d'huile pour les protéger contre la corrosion, ou vaporisez une fine couche d'huile. Repliez la barre de guidage et remisez le cultivateur/la griffe dans un emplacement adéquat.

DÉPANNAGE

Problème	Causes possibles	Correctif
Le moteur ne démarre pas	L'appareil n'est pas branché Pas d'électricité Câble défectueux Contacteur/fiche de sécurité défectueux La protection surchauffe est activée	Branchez l'appareil Vérifiez l'alimentation électrique Vérifiez le câble. Réparez ou remplacez si nécessaire. Prenez des dispositions pour effectuer des réparations 1. La profondeur de labour est excessive, réglez pour une profondeur moindre. 2. Les lames sont bloquées, éliminez le blocage. 3. Le sol est trop dur, sélectionnez la profondeur de labour qui convient et avancez puis reculez plusieurs fois tout en ralentissant la vitesse de fonctionnement. Attendez pendant 15 minutes que le moteur refroidisse avant de continuer.
Bruits anormaux	La lame est coincée Lubrification insuffisante Les boulons, les écrous ou d'autres composants sont desserrés.	Arrêtez le moteur. Attendez que les dents s'arrêtent complètement de tourner. Enlevez les objets coincés. Le cultivateur/la griffe doit être réparé. Appelez notre service clientèle au 1-800-313-5111 pour obtenir de l'assistance. Resserrez tous les composants. Prenez des dispositions pour faire effectuer les réparations si le bruit continue.
Vibrations anormales	Les lames sont endommagées ou usées La profondeur de labour est excessive	Remplacez les lames endommagées ou usées. Réglez à la profondeur de labour qui convient.
Piètres résultats	La profondeur de labour est insuffisante Les lames sont usées	Réglez à la profondeur de labour qui convient. Remplacez les lames endommagées ou usées.



APPELEZ-NOUS D'ABORD!!

Appelez-nous d'abord pour toute question concernant le fonctionnement ou la maintenance de ce produit au 1.800.313.5111 entre 7 h 30 et 16 h 30, heure normale de l'Est, ou envoyez des courriels à earthwise@reelin.com.

American Lawn Mower Company
The Great States Corporation
7444 Shadeland Station Way,
Indianapolis, IN 46256, États-Unis
Phone 1-800-313-5111
www.earthwisetools.com



MANUEL DE L'UTILISATEUR

Cultivateur/griffe

Ce produit est protégé par des brevets américains et d'autres brevets internationaux

Copyright. Tous droits réservés.

POLITIQUE DE GARANTIE

Garantie limitée de deux (2) ans sur l'équipement électrique d'extérieur Earthwise.

Earthwise garantit au propriétaire d'origine que tout nouveau produit et toute nouvelle pièce de remplacement est exempt(e) de défaut de matériau et de fabrication et s'engage en vertu de la présente garantie à réparer ou à remplacer tout produit défectueux ou toute pièce défectueuse à compter de la date d'achat d'origine pendant la période de garantie à l'exception des conditions et des circonstances indiquées ci-dessous.

Cette garantie s'applique seulement à l'acheteur d'origine dans un magasin de ventes au détail et ne peut être transférée.

La garantie s'applique si le produit est utilisé pour usage personnel, domestique ou familial. La garantie est nulle si le produit est utilisé à des fins commerciales, industrielles ou locatives.

La garantie n'inclut pas les réparations nécessaires à cause de la négligence ou de l'abus de l'opérateur (y compris la surcharge du produit au-delà de sa capacité ou son immersion dans l'eau), ou l'échec à assembler, opérer, entretenir ou entreposer le produit selon les instructions dans le manuel de l'opérateur.

Cette garantie n'est pas transférable et s'applique seulement au produit vendu directement d'un fournisseur autorisé.

Cette garantie ne s'applique pas à tout produit, neuf ou usagé, acheté par le biais de canaux tiers non-autorisés.

TOUT DOMMAGE, PERTE OU FRAIS CONSÉCUTIF, INDIRECT OU CONSÉQUENT QUI POURRAIT RÉSULTER D'UN DÉFAUT, D'UNE DÉFAILLANCE OU D'UN DYS FONCTIONNEMENT DU PRODUIT N'EST PAS COUVERT PAR LA GARANTIE. Certains États ne permettent pas l'exclusion ou la limitation de la durée d'une garantie implicite. Les restrictions ci-dessus peuvent donc ne pas s'appliquer.

Les produits vendus endommagés ou incomplets, vendus « tels quels », ou vendus remis en état, ne sont pas couverts par cette garantie.

Les dommages ou responsabilités provoqués par le transport, une mauvaise manipulation, un mauvais assemblage, une tension ou un câblage incorrect, une mauvaise maintenance, une modification incorrecte ou l'utilisation d'accessoires ou d'outils non spécifiquement recommandés n'est pas couvert par cette garantie.

Les items consommables qui s'usent lors d'une utilisation normale ne sont pas couverts par la garantie.

La garantie ne couvre pas la détérioration normale de la finition extérieure, y compris, sans s'y limiter, aux égratignures, aux éclats de peinture entaillée ou à toute corrosion ou décoloration causée par la chaleur, les abrasifs et les nettoyants chimiques.

La garantie n'inclut pas l'installation, l'assemblage ou les réglages normaux expliqués dans le manuel de l'utilisateur.

Les frais de livraison du produit au vendeur ou les frais de retourner le produit ou les pièces de rechange au propriétaire ne sont pas couverts par la garantie.

La garantie ne couvre pas la détérioration normale de la finition extérieure, y compris, sans s'y limiter, aux égratignures, aux éclats de peinture entaillée ou à toute corrosion ou décoloration causée par la chaleur, les abrasifs et les nettoyants chimiques.

Une preuve d'achat, original du reçu de vente daté, doit accompagner toute réclamation de garantie.



American Lawn Mower Company
The Great States Corporation
7444 Shadeland Station Way,
Indianapolis, IN 46256, États-Unis
Téléphone 1-800-313-5111
www.earthwisetools.com

Dans le cadre d'un engagement permanent d'amélioration de la qualité, le Fabricant se réserve le droit d'apporter des modifications à des composants ou à la conception si nécessaire.



MANUEL DE L'UTILISATEUR

Cultivateur/griffe

Ce produit est protégé par des brevets américains et d'autres brevets internationaux

Copyright. Tous droits réservés.

RÉPARATION

Maintenant que vous avez acheté votre cultivateur/griffe, il suffit de nous contacter au 1-800-313-5111 pour des pièces de rechange ou des réparations. Veuillez à fournir tous les faits pertinents lorsque vous nous appelez ou nous rendez visite.

PIÈCES DE RECHANGE

Veuillez inscrire votre numéro de série dans l'espace fourni ci-dessous.

- NOM DE L'ARTICLE Cultivateur/griffe
- NUMÉRO DE MODÈLE TC70001
- NUMÉRO DE SÉRIE _____

American Lawn Mower Company
The Great States Corporation
7444 Shadeland Station Way,
Indianapolis, IN 46256, États-Unis
Téléphone 1-800-313-5111
www.earthwisetools.com

Dans le cadre d'un engagement permanent d'amélioration de la qualité,
le Fabricant se réserve le droit d'apporter des modifications à des composants ou à la conception si nécessaire.