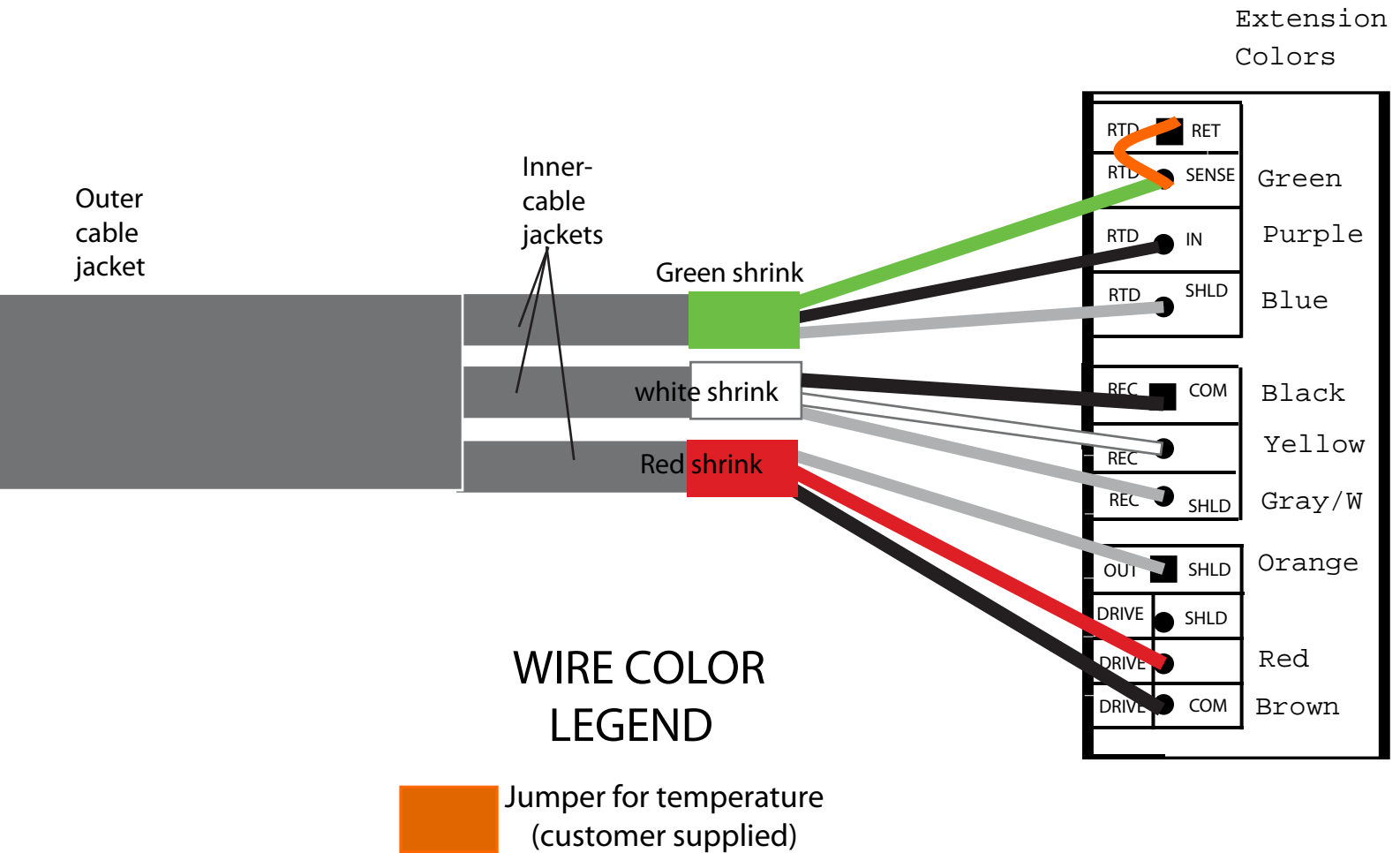


# ROSEMOUNT 1056 WIRING WITH SENSOREX TCS-3020



Resistance test on temp side of new probe (black and green) should be 1000 ohm +/- 100 ohm for PT1000 unit