



by **ENOVATION** CONTROLS



PowerView[®] Model PV500

Installation Manual

00-02-1183
2019-11-21
Section 78

In order to consistently bring you the highest quality, full-featured products, we reserve the right to change our specifications and designs at any time. The latest version of this manual can be found at enovationcontrols.com.

Warranty - A limited warranty on materials and workmanship is given with this Murphy product. A copy of the warranty may be viewed or printed by going to www.enovationcontrols.com/warranty



Please read the following information before installing.

BEFORE BEGINNING INSTALLATION OF THIS MURPHY PRODUCT:

Read and follow all installation instructions.

Please contact Enovation Controls immediately if you have any questions.



This product can expose you to chemicals including lead, which is known to the State of California to cause cancer. For more information, go to www.P65Warnings.ca.gov.

Revision Table	
Date	Description
05/31/2019	Creation of New Document
07/16/2019	Added dimension diagrams, kit numbers, etc.
07/18/2019	Reformatting
08/12/2019	Upgraded Pinout Drawing
09/30/2019	Engineering review changes
10/04/2019	Updated Operating Temperature
10/08/2019 – 11/21/2019	Tech Services review changes

Table of Contents

Hardware Installation	4
Inspecting Package Contents.....	4
Surface-Mounted Installation.....	4
Preparing the Dash	5
Surface-Mounting the Unit	7
Flush-Mounted Installation:	7
Flush-Mounting the Unit.....	9
Available Accessories for the PV500	9
Pinout Specifications	10
Standard Version	10
Configuration Information	11
Specifications	12
Dimensions	14

THIS PAGE INTENTIONALLY LEFT BLANK

Hardware Installation

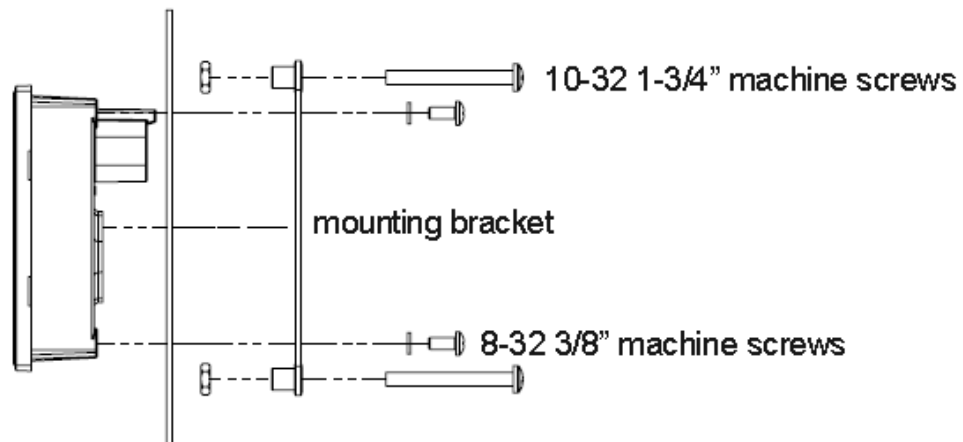
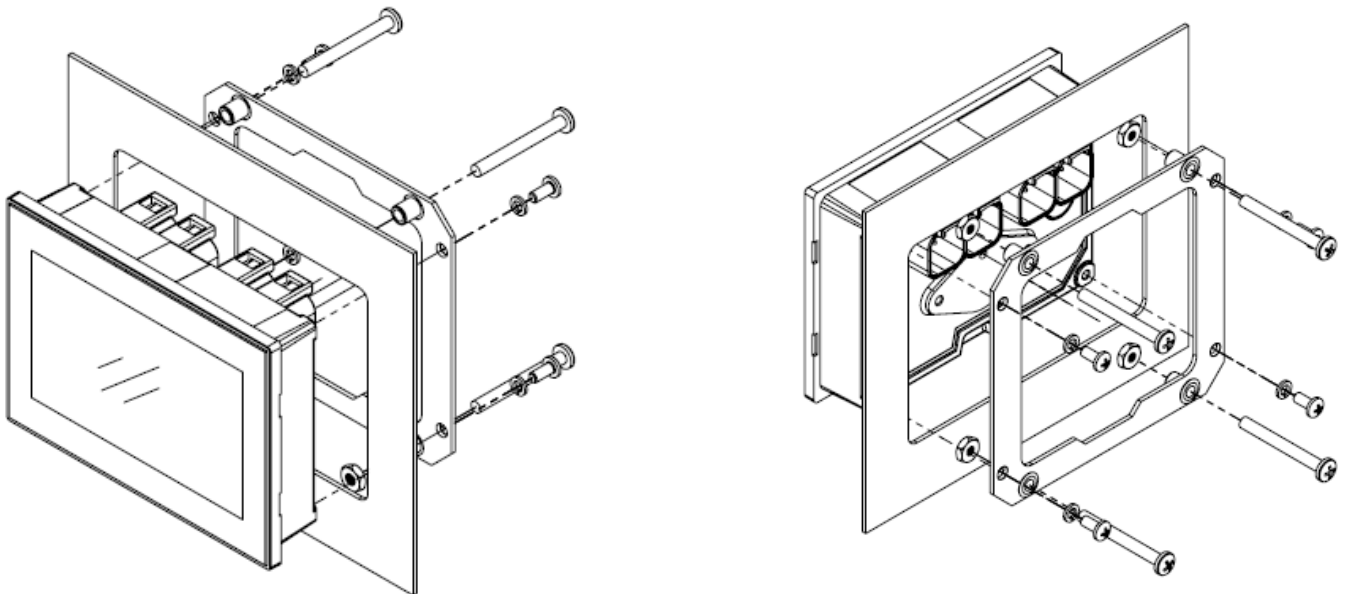
The following instructions will guide you through installing the PowerView display.

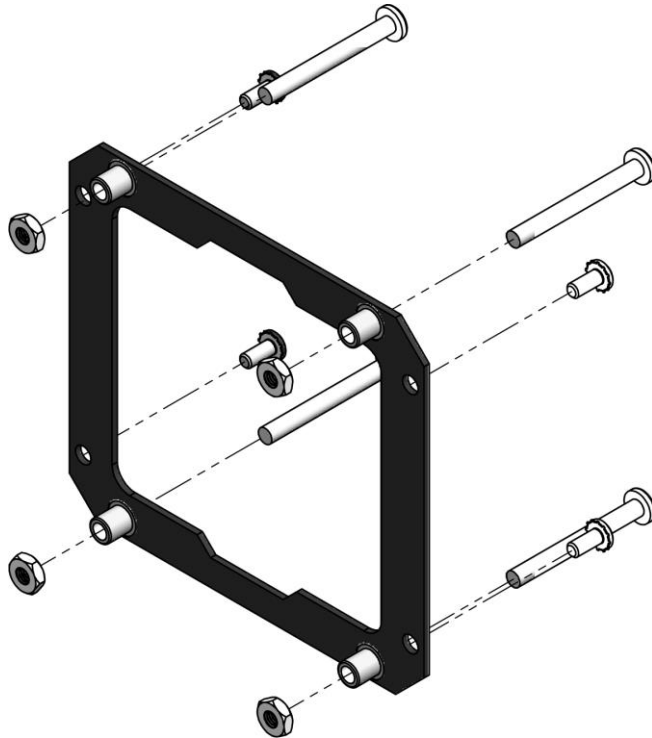
Inspecting Package Contents

Before attempting to install the product, it is recommended that you ensure all parts are accounted for and inspect each item for damage (which sometimes occurs during shipping). The items included in the box are:

- PV500 unit
- Installation manual web reference insert

Surface-Mounted Installation





Installation Kit – P/N 78051705 includes

- Mounting Bracket
- Five 8-32 machine screws
- Five 10-32 1-3/4" machine screws
- Five 10-32 3/8" nuts
- Five #8 washers

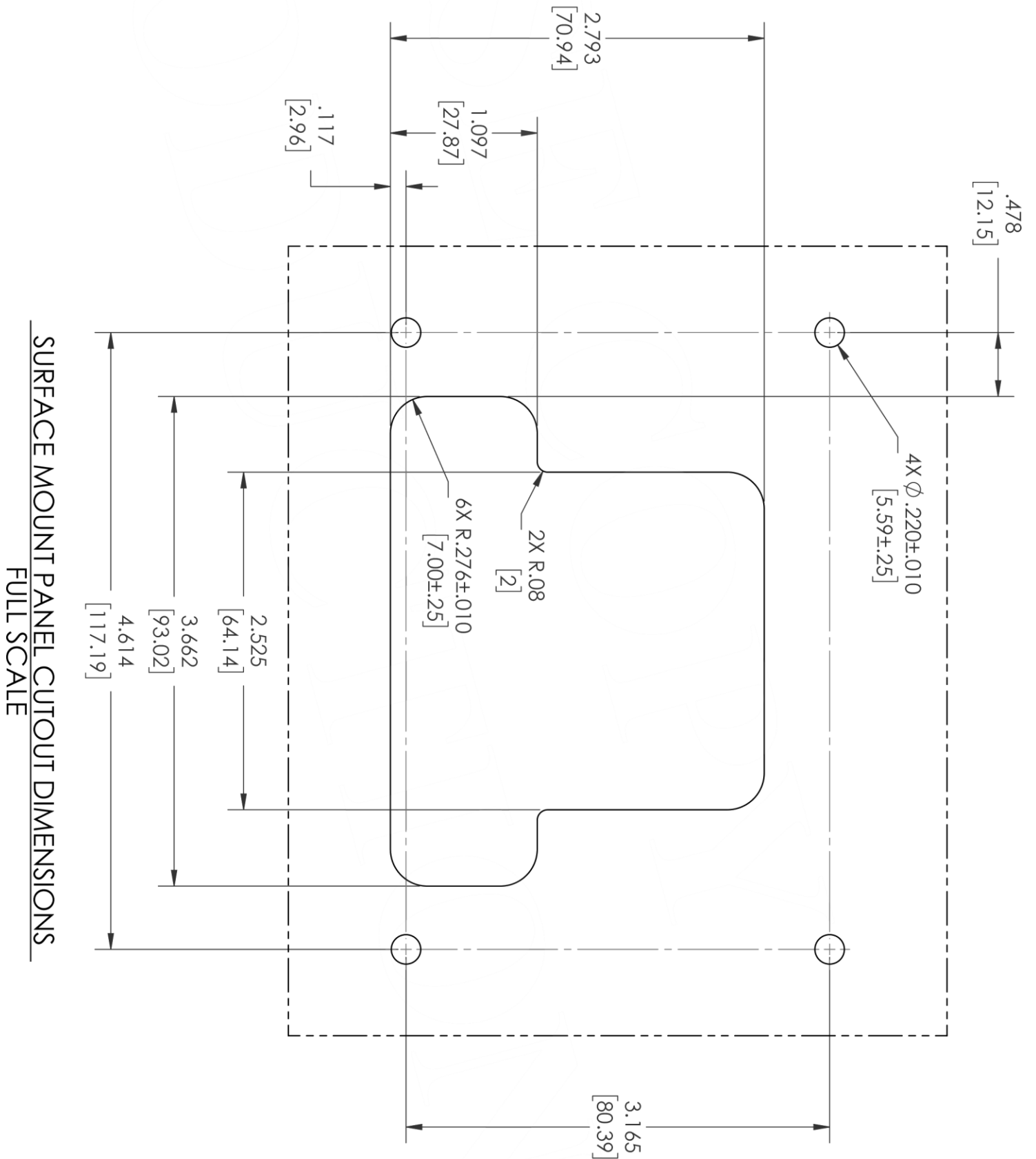
Tools needed.

- Drill with 7/32 in. size bit
- Jigsaw
- Screw Driver

Preparing the Dash

Determine the location of the PV500 in the dash. Cut a hole in the dash to these dimensions:

Surface Mount:



SURFACE MOUNT PANEL CUTOUT DIMENSIONS
FULL SCALE

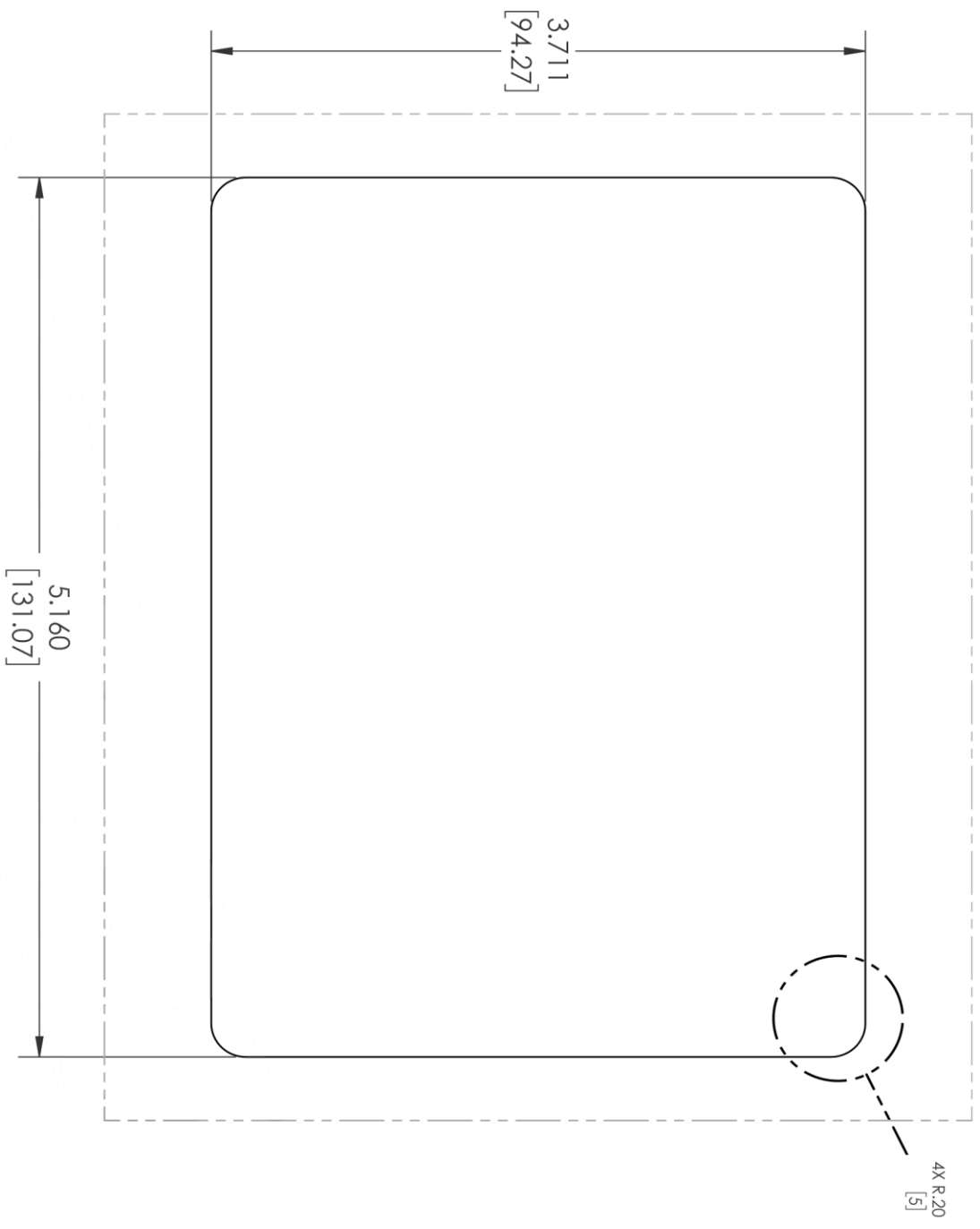
Surface-Mounting the Unit

1. Place the back side of the display through the opening so the display will sit on the face of the dash.
2. Use the included four long screws and locking nuts from the mounting kit (78051705) to attach the unit to the bracket.
3. Torque to 10 inch-pounds.

Flush-Mounted Installation:

This method requires the 78051705 Installation Bracket.

FLUSH MOUNT PANEL CUTOUT DIMENSIONS
FULL SCALE



Flush-Mounting the Unit

1. Place the back side of the display through the opening in the dash.
2. Evenly pull the display to be flush with the panel
3. Use the included four long screws and four locking nuts from the mounting kit (78051705) to attach the unit to the bracket.
4. Torque to 10 inch-pounds.

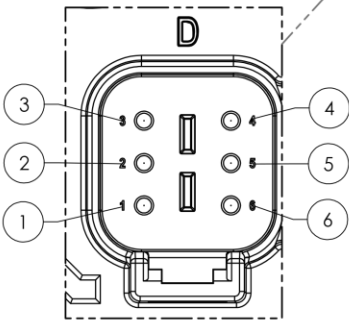
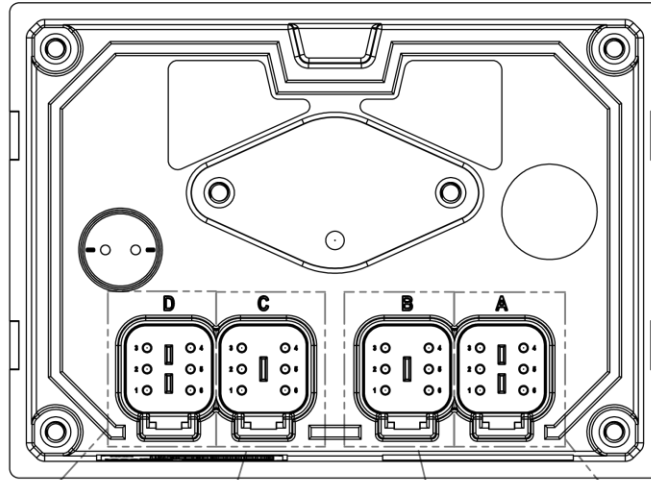
Available Accessories for the PV500

The following PV500 accessories are available through Enovation Controls:

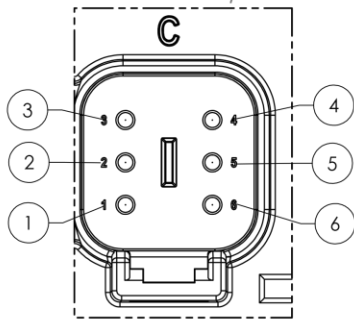
Part Number	Description	Order Details
78700664	PV500-LT, Non-connected	Display
78090104	Programming Kit, PV450/PV780	Accessories
78051705	Kit, Mounting Bracket, PV500	
78000688	Wire Harness, USB Adaptor	

Pinout Specifications

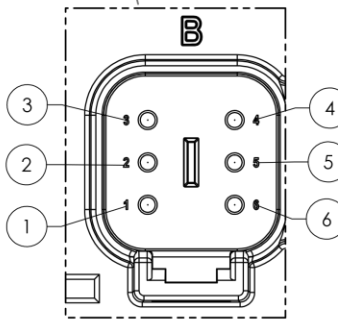
Standard Version



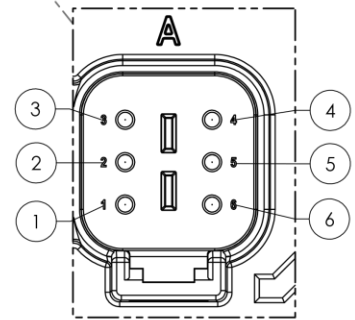
6-POS CONNECTOR-D	
PIN #	FUNCTION
1	VIDEO 1 GROUND
2	VIDEO 2 GROUND
3	RS485 LOW
4	RS485 HIGH
5	VIDEO IN 2
6	VIDEO IN 1



6-POS CONNECTOR-C	
PIN #	FUNCTION
1	DIGITAL IN 1
2	CAN 2 HIGH
3	CAN 2 LOW
4	DIGITAL OUT 2
5	ANALOG IN 1
6	ANALOG IN 1 RETURN



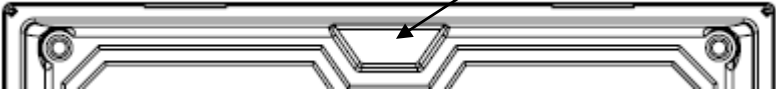
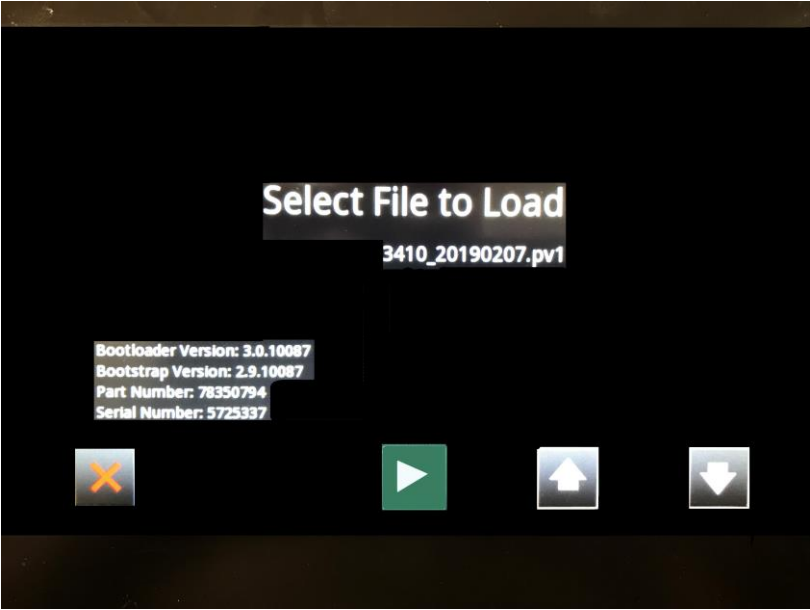
6-POS CONNECTOR-B	
PIN #	FUNCTION
1	BATTERY
2	CAN 1 HIGH
3	CAN 1 LOW
4	DIGITAL OUT 1
5	IGNITION
6	GROUND



6-POS CONNECTOR-A	
PIN #	FUNCTION
1	USB 5V
2	USB D+
3	USB D-
4	NO CONNECT
5	USB SHIELD
6	USB GROUND

Configuration Information

Follow these steps to download a custom configuration to the PV500 display:

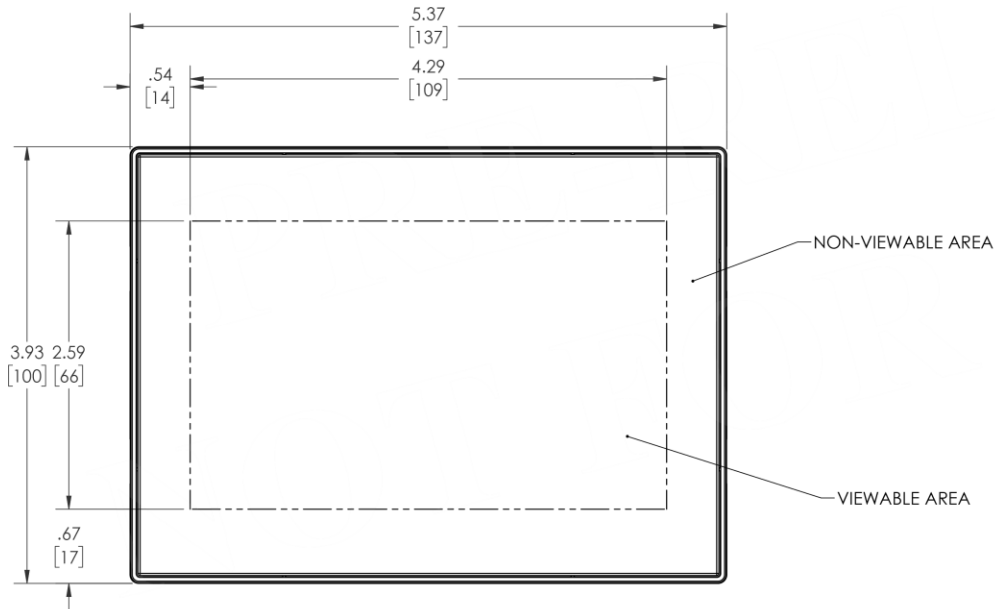
Step	Action
1	Turn off the display.
2	Insert the USB harness 78000668 into Port A of the display. Then insert a USB drive that contains the new configuration file into the USB connector on that harness.
3	Place a magnet into the notch shown here on the upper middle side of the back of the display: 
4	Power the display back on, continually holding the magnet in place.
5	Remove the magnet when the display shows the utility for loading new software. 
6	Touch the up or down arrow keys on the screen until the appropriate configuration file from the USB to be loaded into the display is shown on the screen.
7	Press the right arrow/green arrow key on the screen twice to load the selected configuration.
8	Once completed, the unit will reboot into the loaded application.

Specifications

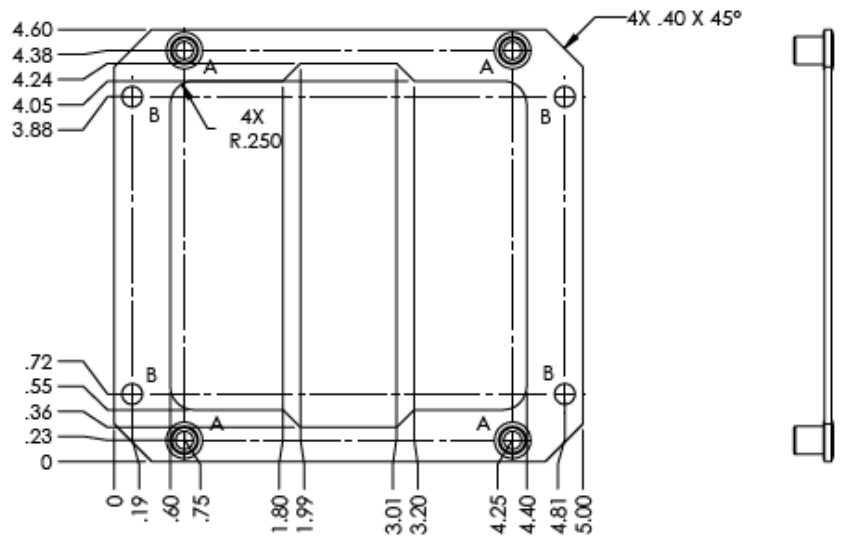
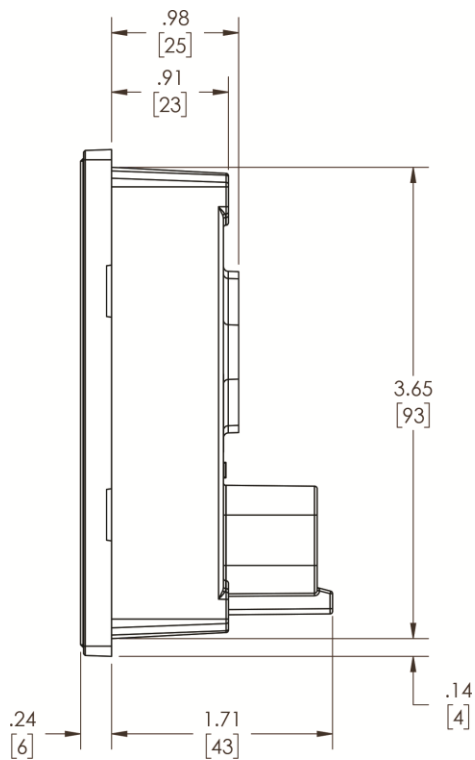
Computing	
Main Processor:	Renesas® RZ/G1E Arm® Cortex®-A7 Dual core processor @ 1.0 GHz
Operating System:	QNX® Real-time Operating System
Storage:	8 GB
Ram:	256 MB
Display	
Type:	5" (108mm [H] x 64.8mm [W]) 24-bit LED backlight LCD
Resolution:	800 x 480 pixels
Contrast Ratio:	1000:1 (typical)
Brightness:	900 (cd/m ² , nits) (typical)
Surface:	Anti-glare
Touch Panel:	Projected capacitive (PCAP) with glove touch
Hardware	
Real-time Clock:	Li-Ion battery backup (Typ. lifespan 10 years), non-rechargeable, non-replaceable
Connectors:	(4) 6-position DEUTSCH® style DT series
Video Inputs:	(2) NTSC/PAL (Single channel viewable)
Communication	
CAN:	(2) CAN 2.0B according to ISO 11898-2, J1939, proprietary messaging
USB:	(1) USB 2.0 Full Speed Host
Serial:	(1) RS-485 MODBUS Master/Slave Port

Electrical	
Operating Voltage:	6 – 36 VDC, reverse polarity protected. Max current draw @ 12 V: 0.438A Min current draw @ 12 V: 0.318A Max current draw @ 24 V: 0.297A Min current draw @ 24 V: 0.202A
Outputs:	(1) 500 mA Switched Low-side
Inputs:	(1) Analog 0-5 VDC, 4-20 mA, or resistive, 10-bit resolution (2) Discrete digital, active-high
Environmental	
Operating Temps:	-30°C to +85°C (-22°F to +185°F)
Storage Temps:	-40°C to +85°C (-40°F to +185°F)
Protection:	IP66 and IP67, front and back, for outdoor use
Vibration:	Random Vibration: 8.17 Grms (5 – 2000Hz), 3 axes
Shock:	± 50G in 3 axes
EMC/EMI:	SAE J1113, ISO 13766, CE per 2014/30/EU

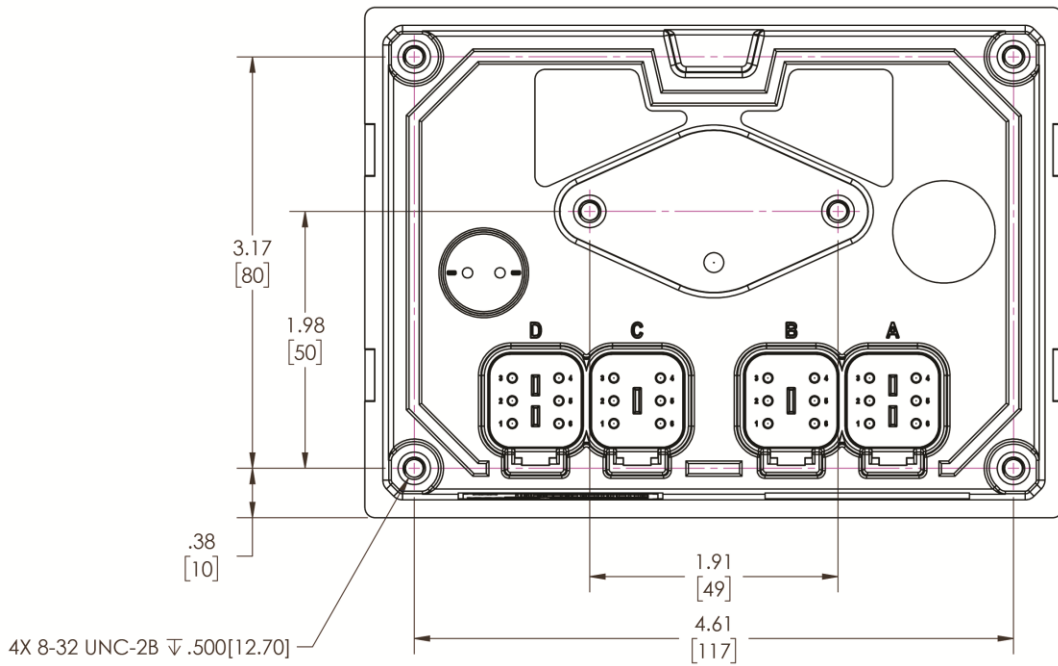
Dimensions



.2



Part # 78051705 Mounting Bracket



In order to consistently bring you the highest quality, full-featured products, we reserve the right to change our specifications and designs at any time. MURPHY products and the Murphy logo are registered and/or common law trademarks of Enovation Controls, LLC. This document, including textual matter and illustrations, is copyright protected by Enovation Controls, LLC, with all rights reserved. (c) 2019 Enovation Controls, LLC. A copy of the warranty may be viewed or printed by going to www.enovationcontrols.com/warranty

ENOVIATION CONTROLS CORPORATE HEADQUARTERS

5311 S 122ND EAST AVENUE
TULSA, OK 74146

ENOVIATION CONTROLS LTD. – UNITED KINGDOM

CHURCH ROAD LAVERSTOCK
SALISBURY SP1 1QZ UK

SUN MURPHY INTERNATIONAL TRADING (SHANGHAI) CO., LTD

B15 ROOM, 6# BUILDING, 351 SIZHUAN ROAD
SONGJIANG DISTRICT, SHANGHAI 201601, CHINA

ENOVIATION CONTROLS INDIA PVT. LTD.

301, 3RD FLOOR, KRSNA CHAMBERS,
11 GALAXY GARDENS, NORTH MAIN ROAD,
KOREGAON PARK, PUNE 411001,
MAHARASHTRA, INDIA

U.S. SALES & SUPPORT

PHONE: 918 317 4100
EMAIL: SALES@ENOVIATIONCONTROLS.COM
WWW.ENOVIATIONCONTROLS.COM

MURPHY INDUSTRIAL PANEL DIVISION

PHONE: 918 317 4100
EMAIL: IPDSALES@ENOVIATIONCONTROLS.COM

INTERNATIONAL SALES & SUPPORT

EUROPE, MIDDLE EAST, AFRICA

PHONE: +44 1722 410055
EMAIL: SALES@ENOVIATIONCONTROLS.EU

CHINA

PHONE: +86 21 6237 5885
EMAIL: APSALES@ENOVIATIONCONTROLS.COM

INDIA

PHONE: +91 91581 37633
EMAIL: INDIASALES@ENOVIATIONCONTROLS.COM



FM 28221 (Tulsa, OK - USA)
FM 29422 (UK)