

8700 Series Macerator Toilets

Premium elegance and comfort



8700 series
MasterFlush toilet with
electronic flush handle

8700 series
MasterFlush toilet with
standard Dometic flush
touchpad

For the look, feel and user-friendly performance of an upscale residential toilet, SeaLand 8700 series macerator toilets, powered with MasterFlush® technology, deliver it all.

Discriminating boat owners will appreciate the full-scale residential styling, complete with elongated wood seat and lustrous, sparkling ceramic finish. The robust effluent macerator operates 30 percent more efficiently than previous Dometic macerator models.

SeaLand 8700 series MasterFlush toilets provide an abundance of features to satisfy diverse owner preferences and boatbuilder requirements. 8700 series toilets come in standard-height units with above-floor or below-floor discharge options. Electronic flushing can be activated by either a residential-style handle or wall-mounted switch. Additional options include a choice of white or bone colors.

8700 series macerator toilets offer two flush settings to help manage water use. The “Normal” flush setting consumes 0.83 gal. (3.14 liters) of water and adds water to the bowl after every flush. “Low” flushing uses only 0.21 gal. (0.79 liter) per flush and very little water remains in the bowl.

Key Benefits

- Powerful macerator flush
- Standard height models with full-size residential-style bowl and seat
- Ultra-quiet – integral water trap reduces macerator sound
- Through-the-floor and through-the-wall discharge fittings
- “Normal” or “Low” flush options
- Dometic electronic touchpad, standard (wall-switch toilet models only)
- Vimar or Gewiss compatible switch, optional (order separately)
- 12 V DC or 24 V DC operation

Specifications for 8700 Series MasterFlush® Toilets

MODEL	DESCRIPTION	FLUSH CONTROL	VOLTAGE
8743	Standard-height, flat-back, all-ceramic macerator toilet	Wall-mounted flush touchpad*	12 V or 24 V DC
8740	Standard-height, flat-back, all-ceramic macerator toilet	Electronic flush handle on toilet**	12 V or 24 V DC

* DFT touchpad flush switch is included with 8743 models. Optional DFS or DFP flush switch must be ordered separately.
 ** Flush handle available in chrome, gold, or nickel finish.
 Toilets available in white or bone colors. See price list for all toilet item numbers.
 Specifications subject to change without notice.

Minimum System Requirements

ELECTRICAL	Circuit breaker	20 amps/12 V DC; 15 amps/24 V DC
	Wiring	12 ga. (up to 20 ft./6.1 m from breaker)
WATER SUPPLY	Fitting	0.5 in. NPT
	Flow rate	2.5 gpm/ 9.5 lpm min. at toilet
	Max. flow pressure	40 PSI/276 kPa
DISCHARGE	ID	1.5 in./38 mm or 1 in./25 mm minimum
	Horizontal run*	98 ft./ 30 m maximum
	Vertical run*	9.8 ft /3 m maximum
	Tank capacity	30 gal./114 liters recommended
REQUIRED COMPONENTS	Electric flush switch**	Dometic DFT, DFS or DFP model

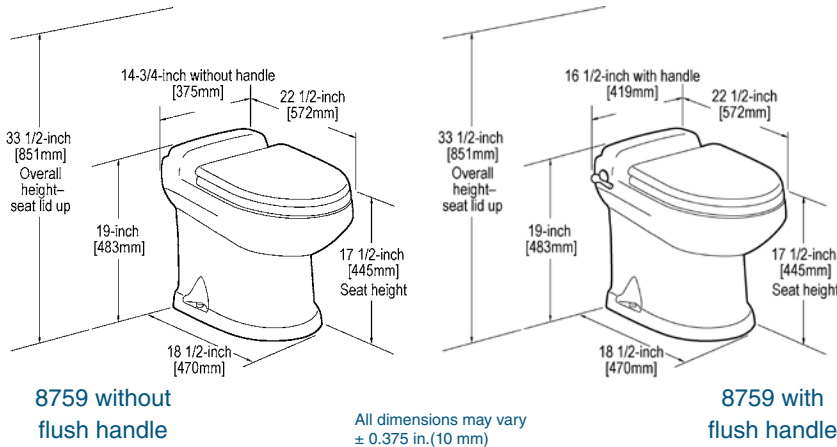
* Horizontal and vertical run distances are not cumulative. Check for adequate discharge flow if installation nears one of these limits.

** DFS or DFP model must be purchased separately.
 Specifications subject to change without notice.

Flush Settings

Change from “Normal” to “Low” flush option by pressing “flush” switch for about five seconds. When “power on” light begins flashing, release “flush” switch. Flush setting has been changed. Change back to “Normal” setting in the same manner.

Dimensions



Dometic Flush Touchpad



Standard DFT panel includes “add water” and “flush” functions, “power on” and “full tank” indicator lights. Also available in white. Ships with toilet unless specified otherwise.

Dometic Flush Switches (for Vimar, Gewiss trim)



Optional Dometic flush switch panels feature backlit push buttons for easy use, even in low light.

DFS model includes a generic frame, or can be fitted with a Vimar Idea, Vimar Eikon, or Gewiss Chorus frame.

DFP model accommodates a Gewiss Playbus frame.

DFS or DFP models must be ordered separately from toilet.