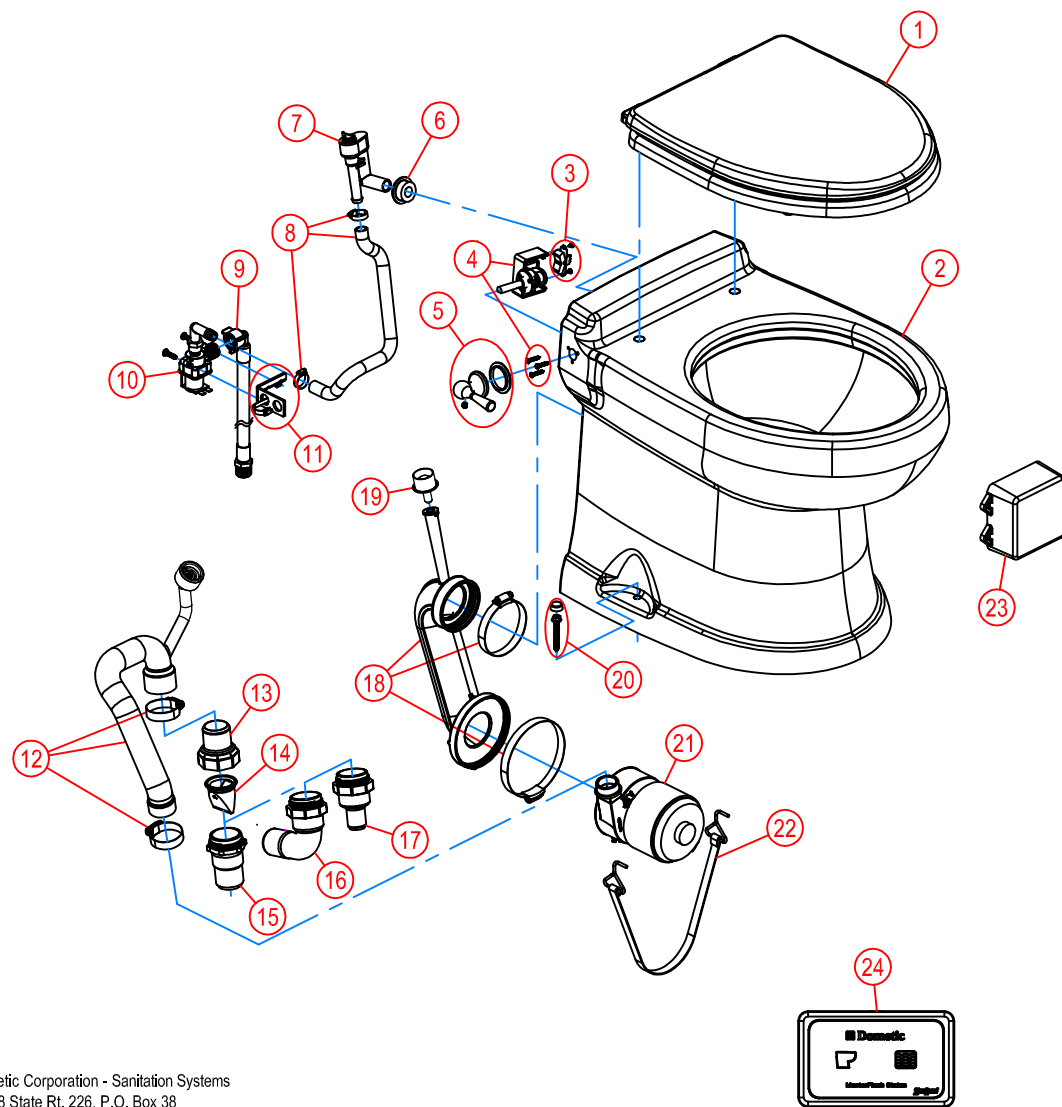


PARTS LIST: 8700 TALL SERIES w/FLUSH HANDLE

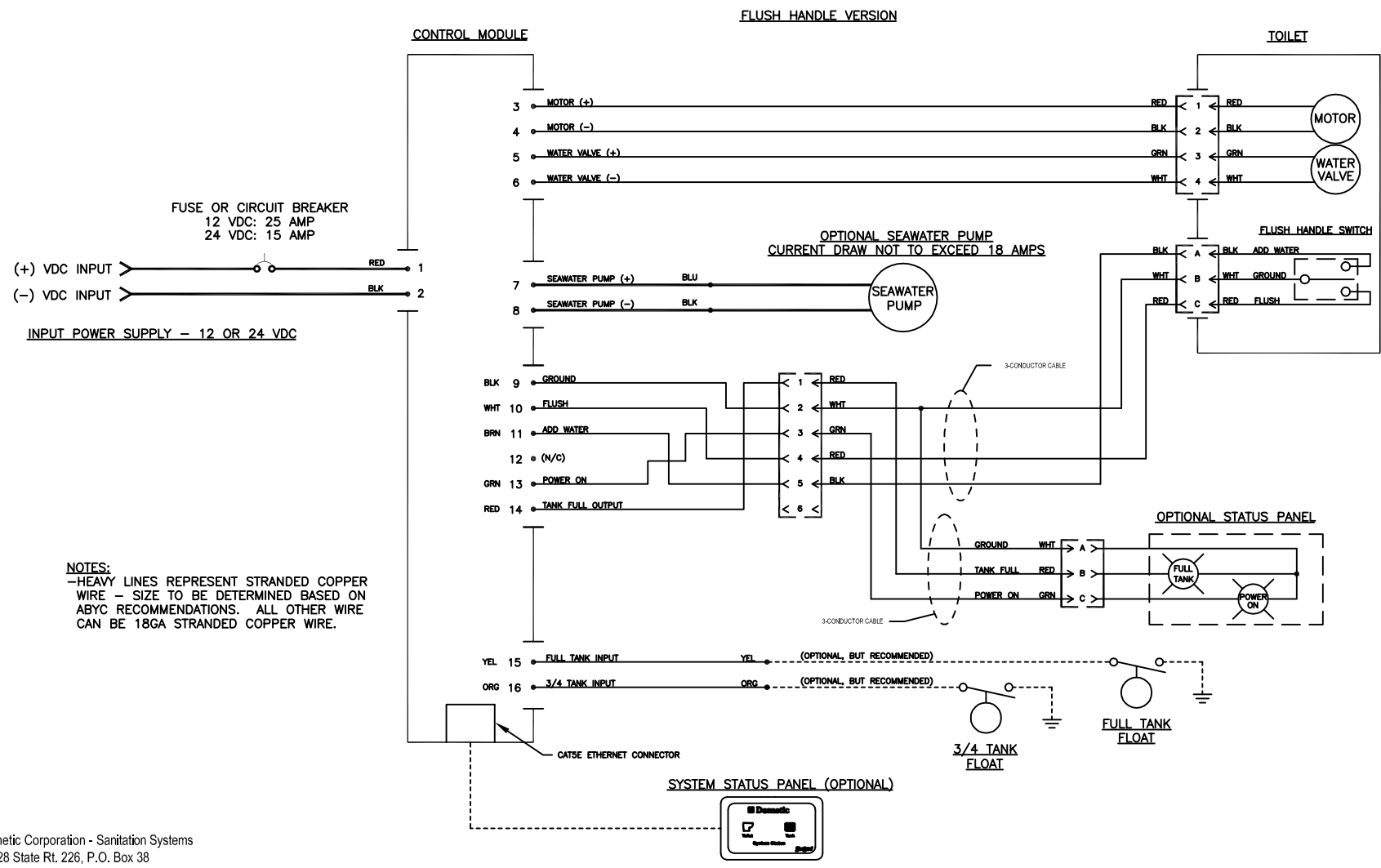


| ITEM | PART NUMBER & DESCRIPTION | |
|-----------|---------------------------|---|
| 1 | 385311005 | SEAT/COVER WOOD - WHITE |
| | 385311006 | SEAT/COVER WOOD - BONE |
| | 385311597 | SEAT/COVER WOOD - EBONY |
| 2 | 385311934 | 8700 SERIES BOWL KIT - WHITE |
| | 385311935 | 8700 SERIES BOWL KIT - BONE |
| | 385311936 | 8700 SERIES BOWL KIT - EBONY |
| 3 | 385311703 | FLUSH HANDLE SWITCH w/WIRING HARNESS |
| 4 | 385311704 | FLUSH HANDLE ASSEMBLY **INCLUDES ITEM 3. |
| 5 | 385310962 | FLUSH HANDLE KIT - CHROME |
| | 385310963 | FLUSH HANDLE KIT - GOLD |
| | 385311141 | FLUSH HANDLE KIT - NICKLE |
| 6 | 385311164 | 1/2" SEALING GROMMET |
| 7 | 385316906 | VACUUM BREAKER KIT **INCLUDES ITEM 6. |
| 8 | 385345377 | BOWL WATER SUPPLY HOSE |
| 9 | 385311547 | WATER SUPPLY HOSE REPLACEMENT |
| 10 | 385311545 | WATER VALVE KIT - 12VDC |
| | 385311546 | WATER VALVE KIT - 24VDC |
| 11 | 385311705 | WATER VALVE MOUNTING BRACKET KIT |
| 12 | 385311706 | DISCHARGE TUBE - 8700 SERIES **INCLUDES ANTI-SIPHON VALVE. |
| 13 | 385880070 | DISCHARGE TUBE VALVE ADAPTER |
| 14 | 385311620 | 1-1/2" CHECK VALVE |
| 15 | 385311315 | 1-1/2" VALVE ADAPTER |
| 16 | 385880071 | 1-1/2" VALVE ADAPTER ELBOW |
| 17 | 385880072 | 1" VALVE ADAPTER |
| 18 | 385311708 | BOWL OUTLET TUBE **INCLUDES ITEM 19. |
| 19 | 385312013 | BOWL OUTLET TUBE FLAPPER VALVE |
| 20 | 385311022 | BOWL MOUNTING HARDWARE |
| 21 | 385880068 | MOTOR/MACERATOR ASSY - 12VDC |
| | 385880069 | MOTOR/MACERATOR ASSY - 24VDC |
| 22 | 385311779 | MOTOR/MAC MOUNTING STRAP |
| 23 | 385311875 | CONTROL MODULE 12/24VDC (DBH) |
| 24 | 313722000 | DOMETIC MASTERFLUSH STATUS PANEL-BLACK |
| | 313722001 | DOMETIC MASTERFLUSH STATUS PANEL-WHITE |
| NOT SHOWN | 385311781 | FLUSH SWITCH WIRE HARNESS - 8700 SERIES |

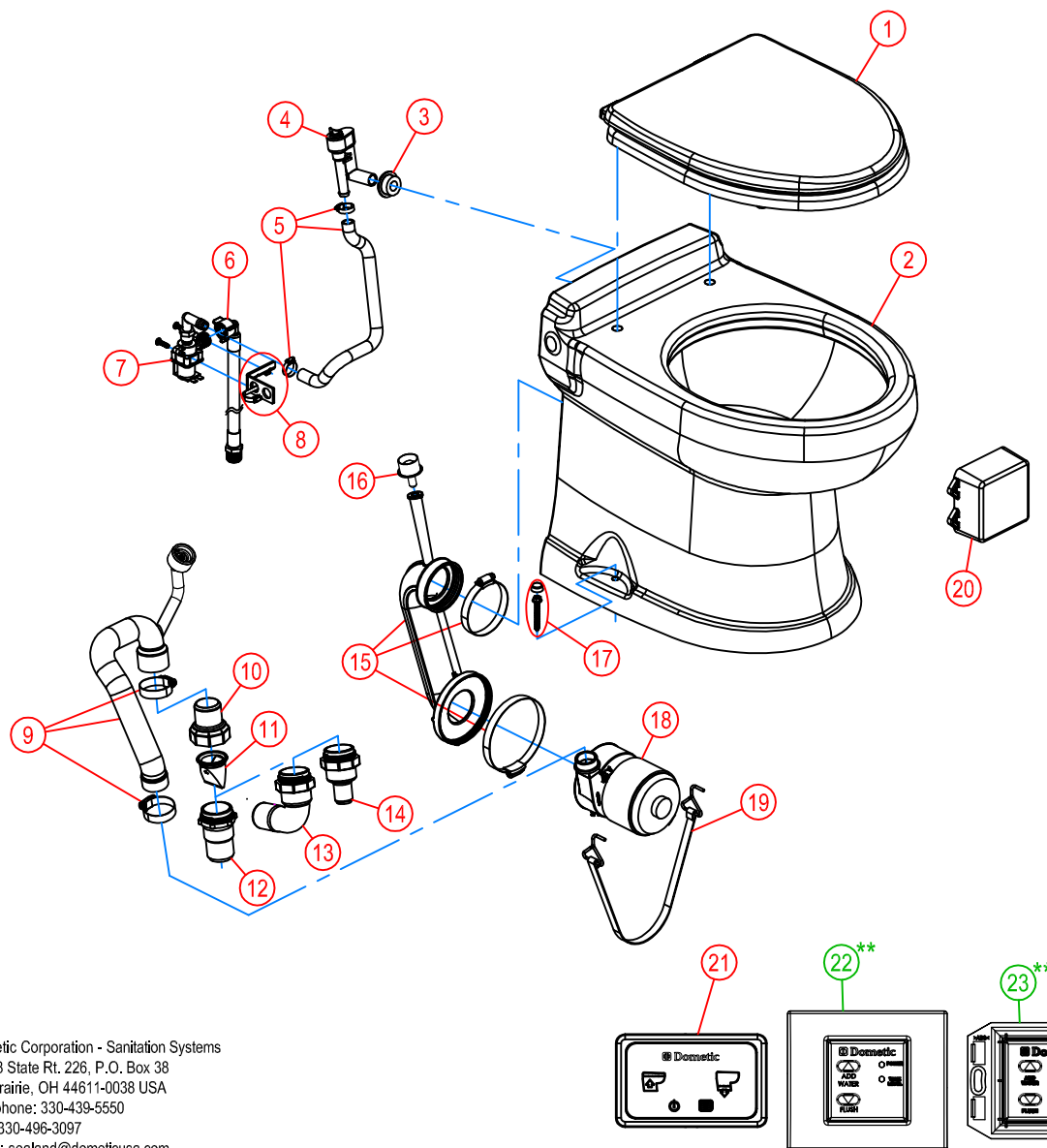
PARTS LIST: 8700 SERIES (w/FLUSH HANDLE)

WIRING DIAGRAM

WIRING DIAGRAM DWG REF.:
345860; SHEET 3



PARTS LIST: 8700 TALL SERIES w/FLUSH SWITCH



| ITEM | PART NUMBER & DESCRIPTION |
|-----------|---|
| 1 | 385311005 SEAT/COVER WOOD - WHITE |
| | 385311006 SEAT/COVER WOOD - BONE |
| | 385311597 SEAT/COVER WOOD - EBONY |
| 2 | 385311934 8700 SERIES BOWL KIT - WHITE |
| | 385311935 8700 SERIES BOWL KIT - BONE |
| | 385311936 8700 SERIES BOWL KIT - EBONY |
| 3 | 385311164 1/2" SEALING GROMMET |
| 4 | 385316906 VACUUM BREAKER KIT **INCLUDES ITEM 3. |
| 5 | 385345377 BOWL WATER SUPPLY HOSE |
| 6 | 385311547 WATER SUPPLY HOSE REPLACEMENT |
| 7 | 385311545 WATER VALVE KIT - 12VDC |
| | 385311546 WATER VALVE KIT - 24VDC |
| 8 | 385311705 WATER VALVE MOUNTING BRACKET KIT |
| 9 | 385311706 DISCHARGE TUBE - 8700 SERIES **INCLUDES ANTI-SIPHON VALVE. |
| 10 | 385880070 DISCHARGE TUBE VALVE ADAPTER |
| 11 | 385311620 1-1/2" CHECK VALVE |
| 12 | 385311315 1-1/2" VALVE ADAPTER |
| 13 | 385880071 1-1/2" VALVE ADAPTER ELBOW |
| 14 | 385880072 1" VALVE ADAPTER |
| 15 | 385311708 BOWL OUTLET TUBE **INCLUDES ITEM 16. |
| 16 | 385312013 BOWL OUTLET TUBE FLAPPER VALVE |
| 17 | 385311022 BOWL MOUNTING HARDWARE |
| 18 | 385880068 MOTOR/MACERATOR ASSY - 12VDC |
| | 385880069 MOTOR/MACERATOR ASSY - 24VDC |
| 19 | 385311779 MOTOR/MAC MOUNTING STRAP |
| 20 | 385311875 CONTROL MODULE 12/24VDC (DBH) |
| 21 | 313600021 DOMETIC TOUCHPAD FLUSH SWITCH - WHITE |
| | 313600022 DOMETIC TOUCHPAD FLUSH SWITCH - BLACK |
| 22** | 313409010 DOMETIC FLUSH CONTROL-STD GRAY |
| | 313409020 DOMETIC FLUSH CONTROL- STD WHITE |
| 23** | 313409030 DOMETIC FLUSH CONTROL-PLAYBUS GRAY |
| NOT SHOWN | 385880081 VIMAR/GEWISS FLUSH SWITCH WIRE HARNESS |
| NOT SHOWN | 385880082 DOMETIC TOUCHPAD FLUSH SWITCH CABLE |

PARTS LIST: 8700 SERIES (w/FLUSH SWITCH)

WIRING DIAGRAM

WALL SWITCH VERSION

WIRING DIAGRAM DWG REF.:
345860; SHEET 3

