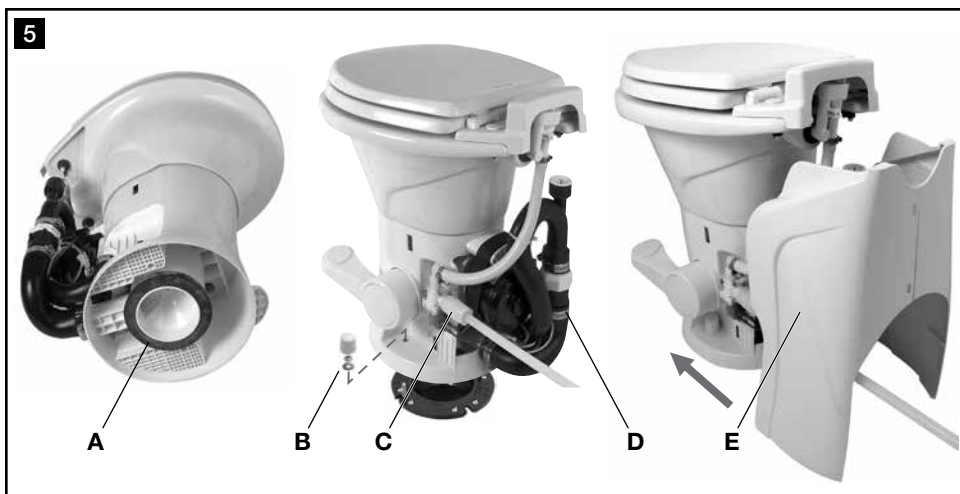
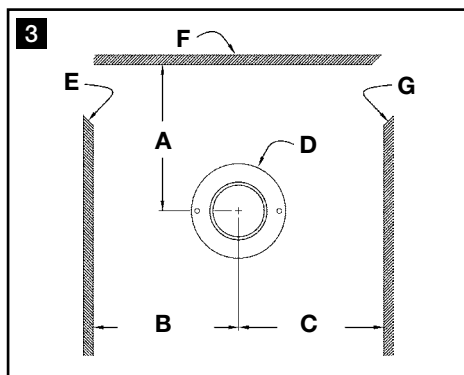
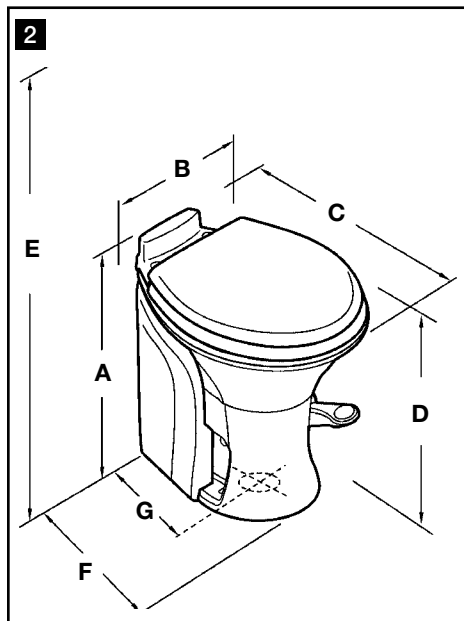
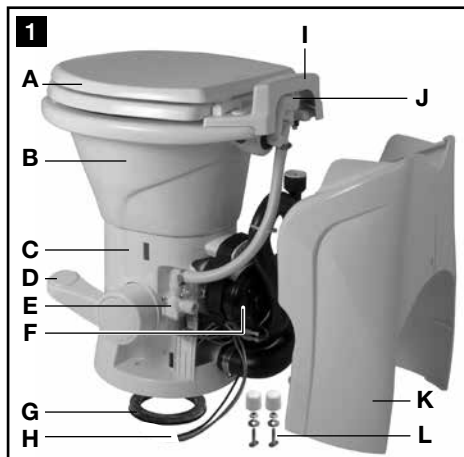




**MasterFlush®**  
**7600 Series**  
**Toilet**

# Dometic MasterFlush Toilet



## Table of contents

1	Notes on using the manual	3
2	General safety instructions	3 - 4
3	Intended use	4
4	Specifications	4 - 5
5	Components	6
6	Installation	6 - 7
7	Operation	7 - 8
8	Maintenance and winterizing	8 - 9
9	Troubleshooting	10
10	Customer service	10
	Limited warranty	11

## 1 Notes on using the manual



### Caution!

Safety Instruction: Failure to observe this instruction can cause material damage and impair the function of the device.



### Note

Supplementary information for operating the device.

fig. **1** A, p. 2 : This refers to an element in an illustration. In this example, item A in figure 1 on page 2.

## 2 General safety instructions

The manufacturer will not be held liable for claims for damage resulting from the following:

- Faulty installation or connection
- Damage to the unit from mechanical influences, misuse or abuse
- Alterations to the unit without express written permission from the manufacturer
- Use for purposes other than those described in this manual

### 2.1 Warnings

The following statement must be read and understood before installing, servicing and/or operating this product. Modification of this product may result in property damage.

Dometic recommends that a qualified RV technician or electrician install or service this product with regard to all applicable codes and regulations. Equipment damage, personal injury or death could result from improper installation. **DOMETIC ACCEPTS NO RESPONSIBILITY OR LIABILITY FOR DAMAGE TO EQUIPMENT, OR PERSONAL INJURY OR DEATH THAT MAY RESULT FROM IMPROPER INSTALLATION, SERVICE OR OPERATION OF THIS PRODUCT.**

**Caution!**

Overfilling the holding tank can create serious damage to the sanitation system, such as rupturing the holding tank and releasing tank contents into the motorhome. To prevent this possibility, Dometic recommends using the “full” tank shut-down circuitry in the toilet’s electronic control module. The “full” signal from the holding tank can be generated by an optional Dometic DTM01C tank monitor or DTM04 four-level tank monitor system.

## 3 Intended use

The MasterFlush 7640 toilet provides an electric-flush toilet that macerates waste and pumps it to a holding tank or other effluent storage/disposal system. Operated by a flush pedal, the toilet allows the user to add water to the bowl (before using or flushing) and to flush the toilet.

### 3.1 Benefits

**Convenient electronic flush.** Add water or flush by pressing on the flush pedal.

**Choice of two water consumption settings.** “Normal” flush uses 0.83 gal. (3.1 liters) per flush and adds water to bowl after flush; “Dry Bowl” setting uses only 0.21 gal. (0.79 liters) per flush and does not add water to the bowl.

**Versatile installation.** Powerful macerator pump allows toilet to be located up to 40 ft. (12.2 m) away from holding tank or other discharge line destination.

**Automatic “full tank” shut-down.** When connected to a holding tank level indication system (such as Dometic DTM01 system), the MasterFlush 7640 toilet will not flush when the holding tank is full. This safety feature prevents overfilling the holding tank, which may cause damage to the motorhome.

## 4 Specifications

### 4.1 Materials

#### Materials

**Toilet bowl:** vitreous ceramic

**Water valve:** polypropylene

**Toilet seat:** enameled wood

**Foot pedal:** polypropylene

**Toilet base:** polypropylene

**Vacuum breaker:** ABS/polypropylene

**Macerator pump body:** glass-filled polypropylene

**Floor flange seal:** nitrile rubber, foam

# Specifications

## 4.2 Minimum installation requirements

Electrical	Power draw	15 amps/12 V DC
	Circuit breaker/fuse	20 amps/12 V DC
	Wiring	Refer to ANSI/RVIA LV and NFPA 70/NEC Standards for recommended wire gauge (USA). Refer to CEC I and II Standards for recommended wire gauge (Canada).
Water Supply	Fitting	1/2 in. NPT
	Flow rate	3.0-5.0 gpm / 11.4-18.9 lpm recommended* 2.0 gpm / 9.5 lpm minimum
	Static pressure	30-100 PSI / 206.8-689.5 kPa
Discharge (2 options)	Floor flange	Floor flange – 3 in./76 mm ID, 1/4-7/16 in. (6-11 mm) thick
	Remote (not on flange directly above waste tank)	Sanitation hose size – 1.5 in. / 38 mm or 1 in. / 25 mm ID
		Horizontal hose run – 40 ft. / 12.2 m maximum**

\* Water supply that exceeds 5.0 gpm / 18.9 lpm may require a flow restrictor at toilet inlet.

\*\* Check for adequate discharge flow if installation nears this distance.

Refer to ANSI 1192 and Z240 RV Series standards, where applicable, for additional RV toilet installation guidelines. Specifications are subject to change without notice.

## 4.3 Toilet dimensions (fig. 2, page 2) All dimensions may vary $\pm 3/8$ inch (10 mm)

Ref.	Model 7640
A	20 in. / 508 mm
B	15 in. / 381 mm
C	19 in. / 483 mm
D	18.375 in. / 467 mm - seat height
E	33.875 in. / 860 mm - seat lid up
F	14.75 in. / 375 mm - back to front of base
G	10 in. / 254 mm - rough-in

## 4.4 Rough-in dimensions (fig. 3, page 2)

Ref.	Dimensions/Description	Ref.	Dimensions/Description
A	10 in. / 254 mm	E	Left wall
B	11 in. / 279 mm	F	Back wall
C	11 in. / 279 mm	G	Right wall
D	Floor flange		

## 5 Components (fig. 1, page 2)

Ref.	Description
A	Toilet seat
B	Toilet bowl
C	Toilet base
D	Flush pedal
E	Water valve
F	Macerator pump
G	Floor flange seal

Ref.	Description
H	Electrical wires
I	Vacuum breaker cover
J	Vacuum breaker
K	Pump/base cover
L	Floor flange mounting hardware kit
NS	Remote mounting hardware kit

Please refer to complete parts list (printed separately) for more details.

## 6 Installation



### Note

Be sure foot pedal, when pressed, touches same flat surface on which toilet is installed.



### Note

Be sure to follow recommended installation requirements in section 4.2 of this manual.  
**NOT INTENDED FOR INSTALLATION IN A SHOWER.**

### 6.1 Tools required

- pliers or adjustable wrench
- 7/16-in. / 11 mm wrench
- electrical connection tools

### 6.2 Installation on floor flange

1. To replace an older toilet, turn off water supply to toilet. Remove and drain water supply line. Remove toilet hold-down bolts/screws. Remove toilet from floor. Remove and discard old floor flange seal and hold-down bolts. Verify center of floor flange is at least the recommended rough-in distance from back wall (fig. 3 A, p. 2). See **Rough-in dimensions**. Make sure top surface of floor flange is clean and free of any debris or sealant.
2. If installing a new floor flange, make certain that toilet mounting holes are at the correct location (fig. 3 D, p. 2). Floor flange must be secured to floor with a minimum of four screws (8 is preferred). Insert two supplied T-bolts into slots in floor flange (fig. 4 p. 2).
3. Verify that floor flange seal is installed on base of toilet (fig. 5 A, p. 2). Carefully set toilet over floor flange. Align holes in toilet base with T-bolts as toilet is lowered onto floor flange. Toilet must be aligned so that outlet of base fits inside of floor flange outlet hole.



### Note

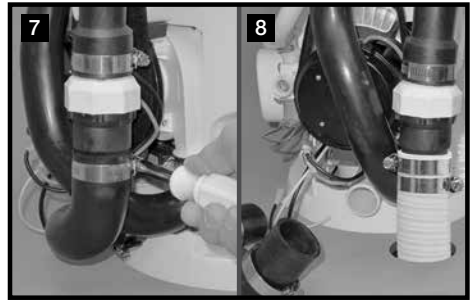
Entire toilet base does not rest completely on floor yet. Floor seal must be compressed in following steps.

4. Install floor mounting nuts and washers onto T-bolts. Carefully torque nuts to 30-40 inch-pounds. **DO NOT OVERTIGHTEN**. Alternate between sides when tightening to prevent distortion of base. When tight, base should be securely attached and flat against floor. Attach bolt covers onto nuts. (fig. **5** B, p. 2)
6. Connect water supply line and torque connection to 30-40 inch-pounds. **DO NOT OVERTIGHTEN**. (fig. **5** C, p. 2)
7. Connect electrical power to toilet according to wiring diagram on toilet's parts list (printed separately). Turn on electrical power to toilet.
8. Turn on water supply to toilet. Flush toilet several times and check for leaks.
9. Attach pump/base cover (fig. **5** E, p. 2) to base with screws on sides of toilet base (fig. **6**) and with locking tabs on sides and back.



### 6.3 Remote installation

1. To install toilet separate from holding tank (not on typical floor flange), position toilet in location with same clearances as flange-mounted toilet (fig. **3**, p. 2). See **Rough-in dimensions**.
2. Mark fastener hole locations through two holes in base. Drill pilot holes for hex screws in Remote Mounting Hardware Kit.
3. Remove black rubber elbow from check valve (fig. **5** D, p. 2) in back of toilet (fig. **7**).
4. Route either 1.5 in. ID flexible sanitation hose or 1.5 in. ID PVC or ABS pipe from waste tank to check valve. Plumbing can be routed either above- or below-floor as required. Access holes may need to be drilled through floor or wall depending on installation layout (fig. **8**). (Flexible sanitation hose can be connected directly to check valve with hose clamps.)
5. Route and connect appropriate wiring and water line according to instructions in section 6.2.
6. Fasten toilet to floor with hex-head screws on each side of base. Cover fasteners with plastic caps. Then, follow steps 8 and 9 from section 6.2 to complete the toilet installation.



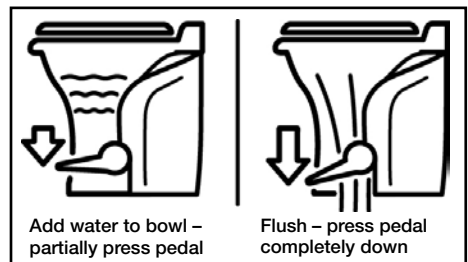
## 7 Operation

### 7.1 Add water to bowl

To add water to the toilet, press the flush pedal part way down. (To avoid possible overflow, water flow will stop automatically if pedal is pressed too long.) More water is usually added only when flushing solids.

### 7.2 Flush toilet

To flush, press pedal down completely, then release it. This activates a powerful macerator pump that siphons water and waste from the toilet bowl, macerates and propels the effluent to the holding tank.



*(“Operation” continued on next page)*

**Note**

**Residual water trickle in ceramic bowls:** Due to integrated rim of this toilet bowl, water may continue to slowly trickle into toilet bowl for up to 20 minutes after flushing. If water trickle continues after 30 minutes, replace water valve.

**Caution – Do Not Flush Foreign Objects!**

Flush only water, bodily wastes and rapid-dissolving toilet tissue. Do not flush wet wipes, sanitary napkins, diapers, paper cups, cotton swabs, food, hair or liquids such as oils or solvents as clogging or damage to the toilet or toilet system may occur.

**Note**

Make sure all guests understand toilet operation before use.

## 7.3 Changing “Flush” modes

MasterFlush 7640 toilets offer two flush settings to help manage water consumption:

**Normal flush** – Uses 0.83 gal. (3.1 liters) per flush. Adds water to bowl after every flush.

**Dry Bowl flush** – Uses 0.21 gal. (0.79 liters) per flush. Does not add water to bowl after flush.

To change from Normal to Dry Bowl flush setting, press flush pedal for about 10 seconds. Flush mode has been changed to Dry Bowl setting. Change mode to Normal flush by following the same procedure.

## 8 Maintenance and winterizing

### 8.1 Routine toilet cleaning

For routine cleaning, use SeaLand® Toilet Bowl Cleaner. If this cleaner cannot be found in your area, contact Dometic for your nearest dealer. If the cleaner is not available, use most any non-abrasive bathroom and toilet bowl cleaner. Please follow label instructions.

**Caution**

To avoid damaging internal seals, do not clean toilet with abrasive cleaners, caustic chemicals, or lubricants and cleaners that contain alcohols or petroleum distillates.

### 8.2 Routine maintenance

**MONTHLY**

1. Inspect toilet, plumbing, and plumbing connections, wires, and wire connections.
2. Open and close all plumbing valves.
3. Check in-line water filters, if any, for blockage.

**YEARLY**

Check water valve filter. Also check water valve filter if water flow into toilet becomes insufficient.

### 8.3 During extended periods of non-use

The macerator toilet and sanitation system should be protected if toilet will not be needed for an extended period of time (more than two weeks, especially in hot weather).

1. Flush toilet in “Normal” mode and add 4 oz. (118 ml) of liquid biodegradable laundry detergent (should NOT contain bleach or environmentally harmful substances).

*(“Maintenance” continued on next page)*



## Maintenance and winterizing

---

2. Flush toilet at least five times.
3. Turn off water supply to toilet.
4. Flush the toilet without water. Repeat three times. (This procedure will minimize any remaining water in the macerator pump.)
5. Turn off power to the toilet.

If system will be subjected to freezing temperatures, please follow above procedure, and then winterize system as described below.

### 8.4 Winterizing

At the end of each camping season, or when the vehicle is stored for long periods of time during which the MasterFlush macerator toilet may be exposed to freezing temperatures, the toilet system should be winterized for storage by using potable water-safe antifreeze.

**Caution**

This toilet is not intended for use when exposed to temperatures below freezing.

---

**Caution**

Never use automotive-type antifreeze (ethylene glycol) in freshwater systems.

---

**Note**

Use nontoxic antifreeze (propylene glycol) designated for potable water systems. (See vehicle owner's manual.)

---

#### Non-toxic Antifreeze Winterization

1. Drain potable water tank and empty waste holding tank.
2. Add freshwater antifreeze to potable water tank according to mixture instructions from antifreeze manufacturer.
3. Flush toilet several times until antifreeze mixture has flowed completely through toilet, macerator pump and holding tank.
4. Turn off power to toilet.

Each installation is different, so antifreeze mixture amounts may vary. User discretion is required to assure adequate protection.

**Note**

Never leave vehicle unoccupied for extended periods of time with municipal water supply or onboard water pump turned on when there is a possibility of freezing temperature.

---

## 9 Troubleshooting

Problem	Possible Cause	Service Instruction
1. Flush cycle operates correctly but water in the bowl empties slowly or not at all.	a. Discharge piping is pinched or kinked. b. The macerator pump or discharge piping is blocked.	a. Check discharge piping. b. Clear blockage.
2. Macerator pump makes unusually loud noise or continually trips breaker.	a. Foreign material in pump chamber.	a. Clear foreign material from pump chamber.
3. Flush cycle is not activated after pressing flush pedal.	a. Electrical power to toilet is shut off or disrupted. b. Flush pedal is malfunctioning. c. Circuit board is malfunctioning. d. Holding tank is full and signal from tank has shut down electrical power to toilet (if tank level monitor system is installed).	a. Check wiring and circuit breakers (or fuses). b. Replace switch in flush pedal. c. Replace circuit board. d. Empty holding tank.
4. Insufficient or no water enters the toilet bowl.	a. Water supply line is pinched or kinked. b. Screen in water valve is blocked. c. Water valve is malfunctioning.	a. Check water supply line. b. Clear blockage at water valve. c. Replace water valve.

## 10 Customer service

### 10.1 Toilet model identification

The toilet model identification label is located on the back of the toilet bowl under the base cover. Please have this information ready if contacting Dometic for customer service.

### 10.2 Contact information

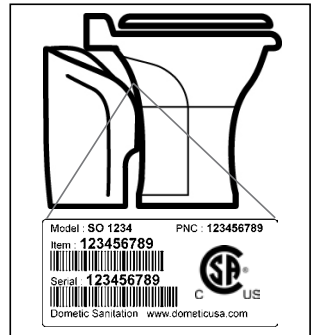
There is a strong, worldwide network to assist in servicing and maintaining your toilet system. For the Authorized Service Center near you, please call from 8:00 a.m. to 5:00 p.m. (ET) Monday through Friday.

You may also contact or have your local dealer contact the Parts Distributor nearest you for quick response to your replacement parts needs. They carry a complete inventory for the Dometic product line.

Telephone: 1 800-321-9886 U.S.A. and Canada  
 330-439-5550 International

Fax: 330-496-3097 U.S.A. and Canada  
 330-439-5567 International

Web site: <http://www.Dometic.com>



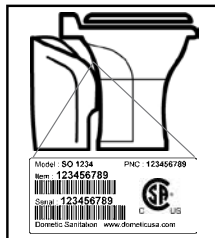


# Limited Warranty

## THE SELLER NAMED BELOW MAKES THE FOLLOWING WARRANTY WITH RESPECT TO DOMETIC MASTERFLUSH MODEL 7640 ONLY

### 1. ONE-YEAR LIMITED WARRANTY

- 1A. This Limited Warranty will be in effect for one year from the date of purchase.
- 1B. This Limited Warranty is made only to the First Purchaser (hereinafter called the "Original Purchaser") who acquired the product for Original Purchaser's personal, family, or household-type use. The Original Purchaser should retain a copy of the sales receipt or invoice as evidence of the date of purchase because proof of purchase is required to obtain warranty service.
- 1C. If this product is placed in commercial or business use, it will be warranted, to the Original Purchaser only, to be free of defects in material and workmanship for a period of 90 days from the date of purchase.
- 1D. This warranty covers all parts of the Dometic toilet which is warranted to be free of defects in material and workmanship under normal use. This warranty does not cover conditions unrelated to the material and workmanship of the product. Such unrelated conditions include, but are not limited to, (a) faulty installation and any damage resulting from such; (b) the need for normal maintenance and any damage resulting from failure to provide such maintenance; (c) failure to follow Seller's instructions for use of this product, including failure which may result from not following winterization procedures; (d) any accident that results in damage to this product; (e) scratching or staining of any ceramic or plastic component; and (f) acts of God, or misuse of any part of this product and any alteration by anyone other than the Seller.
- 1E. For Original Purchaser (ONLY) to obtain the benefits of this Warranty during the 1-year period (for personal use) or 90-day period (for commercial use), the following shall apply:
  - (a) Original Purchaser shall contact the local dealer from whom the product was purchased; or contact the Seller Customer Service Department at 1-800-321-9886 (8 a.m.-5 p.m. ET, USA) and provide the local dealer or Seller Customer Service Department with sales receipt or invoice, product model and serial number from product. The product model identification label is located on the back of the toilet bowl under the pump/base cover (see illustration).
  - (b) If product, while still under warranty, is returned to local dealer where purchased, the local dealer will repair, replace or refund the product per this Warranty and as authorized by the Seller. Seller will provide necessary replacement parts or product free of charge to Original Purchaser, including freight on such replacement parts or product, and Seller will pay direct labor charges for such repair or replacement.
  - (c) Under no circumstances will Seller pay or be liable for any of Original Purchaser's or dealer's travel charges or other expenses associated with bringing the product or recreation vehicle to the dealer for repair, for providing dealer with access to the product or vehicle, or for downtime of the product or vehicle.
  - (d) Original Purchaser may be required to return defective product or parts when requested by Seller; in such event, Seller will pay related freight costs.



Location of product ID label

### 2. THE SELLER DOES NOT AUTHORIZE ANY PERSON OR COMPANY TO CREATE OR EXTEND ANY WARRANTY OBLIGATIONS OR LIABILITY ON ITS BEHALF.

### 3. REPAIR OR REPLACEMENT OF, OR REFUND FOR, DEFECTIVE PRODUCT, AT SELLER'S OPTION, SHALL BE THE ORIGINAL PURCHASER'S SOLE REMEDY UNDER THIS LIMITED WARRANTY. IN NO EVENT SHALL SELLER BE LIABLE FOR PURCHASER'S INCIDENTAL OR CONSEQUENTIAL DAMAGES. SOME STATES DO NOT ALLOW THE EXCLUSION OR LIMITATION OF INCIDENTAL OR CONSEQUENTIAL DAMAGES, SO THE ABOVE LIMITATION OR EXCLUSION MAY NOT APPLY TO YOU.

### 4. SELLER DISCLAIMS ALL OTHER WARRANTIES WITH RESPECT TO THE PRODUCT, WHETHER EXPRESS OR IMPLIED, AND SPECIFICALLY DISCLAIMS THE IMPLIED WARRANTIES OF MERCHANTABILITY AND FITNESS FOR A PARTICULAR PURPOSE. SOME STATES DO NOT ALLOW LIMITATIONS ON IMPLIED WARRANTIES OR HOW LONG AN IMPLIED WARRANTY LASTS, SO THE ABOVE LIMITATION MAY NOT APPLY TO YOU.

### 5. THIS WARRANTY GIVES YOU SPECIFIC LEGAL RIGHTS, AND YOU MAY ALSO HAVE OTHER RIGHTS WHICH VARY FROM STATE TO STATE.

#### SELLER:

Dometic Corporation - Sanitation Div.  
13128 SR 226  
Big Prairie, Ohio 44611 USA  
330-439-5550



DOMETIC CORPORATION, SANITATION DIVISION  
13128 SR 226 | PO BOX 38  
BIG PRAIRIE, OHIO 44611 USA  
[www.Dometic.com](http://www.Dometic.com)