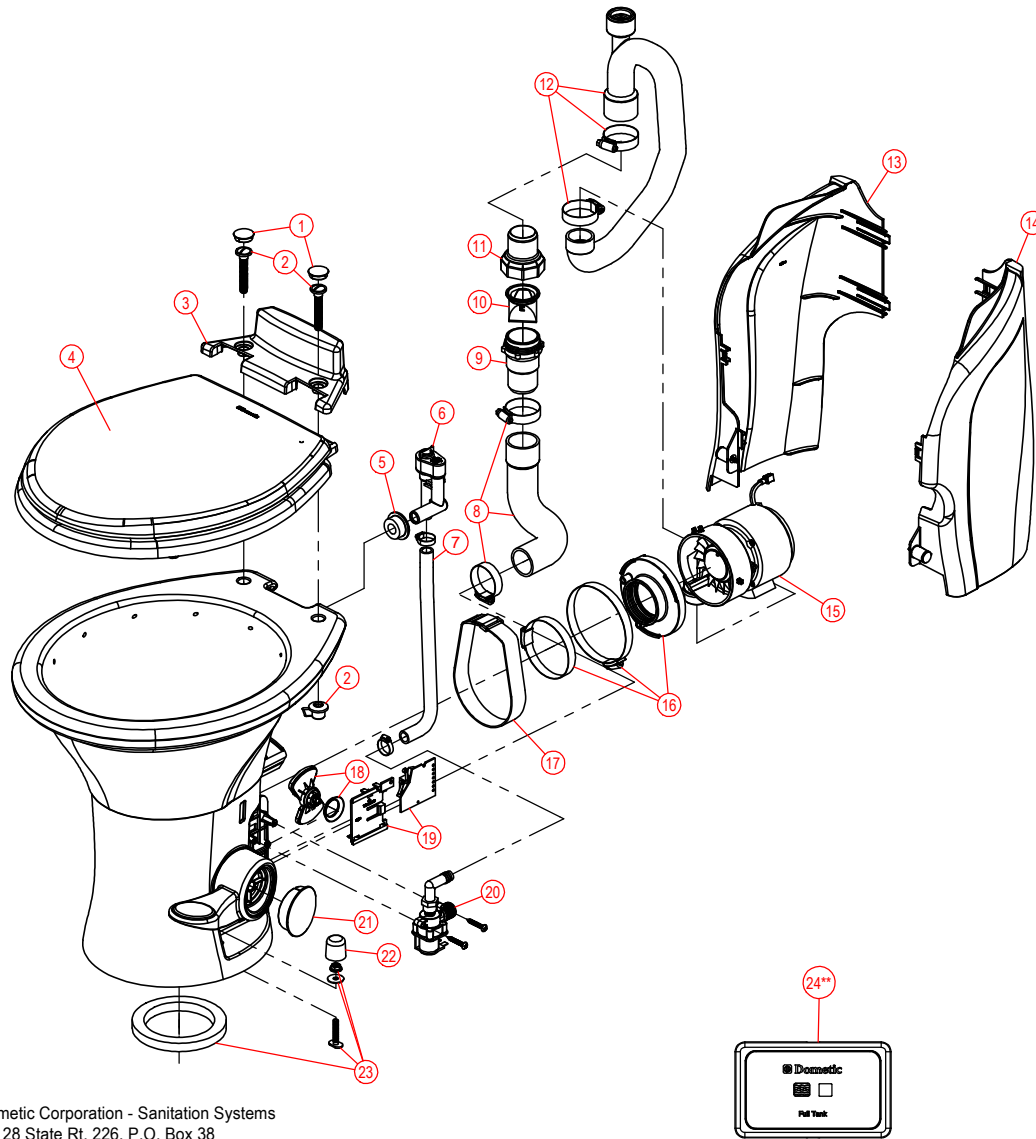


PARTS LIST: 7640 MODEL



| ITEM | PART NUMBER & DESCRIPTION |
|------|--|
| 1 | 385311648 - SEAT MOUNTING COVER - WHITE 385311649 - SEAT MOUNTING COVER - BONE |
| 2 | 385311650 - SEAT MOUNTING HARDWARE - WHITE 385311651 - SEAT MOUNTING HARDWARE - BONE **Includes Item 1. |
| 3 | 385311944 - VACUUM BREAKER REPL COVER - WHITE 385311945 - VACUUM BREAKER REPL COVER - BONE **Includes Items 1 & 2. |
| 4 | 385311949 - SEAT/COVER REPLACEMENT - WHITE 385311950 - SEAT/COVER REPLACEMENT - BONE **Includes Items 1, 2, & 3. |
| 5 | 385311164 - 1/2" SEALING GROMMET |
| 6 | 385316906 - VACUUM BREAKER KIT; WITHOUT SPRAYER **Includes Item 5. |
| 7 | 385312080 - BOWL SUPPLY HOSE **Includes Clamps. |
| 8 | 385312081 - LOWER DISCHARGE TUBE |
| 9 | 385311315 - 1-1/2" PUMP OUTLET FITTING |
| 10 | 385311620 - 1-1/2" CHECK VALVE |
| 11 | 385880070 - DISCHARGE TUBE VALVE ADAPTER |
| 12 | 385312082 - UPPER DISCHARGE TUBE **Includes Anti-Siphon Valve. |
| 13 | 385312083 - RH PUMP/BASE COVER - WHITE 385312084 - RH PUMP/BASE COVER - BONE **Includes Mounting Hardware. |
| 14 | 385312085 - LH PUMP/BASE COVER - WHITE 385312086 - LH PUMP/BASE COVER - BONE **Includes Mounting Hardware. |
| 15 | 385880068 - MOTOR/MACERATOR ASSY - 12VDC |
| 16 | 385312087 - BOWL OUTLET ADAPTER TO PUMP |
| 17 | 385880083 - MOTOR/PUMP MOUNTING STRAP |
| 18 | 385312088 - LIMIT SWITCH CAM REPLACEMENT |
| 19 | 385312089 - CONTROL MODULE 7600 |
| 20 | 385312090 - WATER VALVE ASSEMBLY **Includes Mounting Screws. |
| 21 | 385311656 - PEDAL COVER - WHITE 385311657 - PEDAL COVER - BONE |
| 22 | 385311654 - FLOOR BOLT CAP - WHITE 385311655 - FLOOR BOLT CAP - BONE |
| 23 | 385311652 - MTG HARDWARE & FLOOR SEAL - WHITE 385311653 - MTG HARDWARE & FLOOR SEAL - BONE **Includes Item 21. |
| 24** | 313002311 - DOMETIC TK MONITOR 01 w/FLOAT PLATE 313002312 - DOMETIC TK MONITOR 01 w/FLOAT CAP **Optional Accessory; Sold Separately. |

PARTS LIST: 7640 MODEL

NOTES:

-HEAVY LINES REPRESENT STRANDED COPPER WIRE 14 AWG MINIMUM - SIZE TO BE DETERMINED BASED ON RVIA RECOMMENDATIONS. ALL OTHER WIRE CAN BE 18GA STRANDED COPPER WIRE.

