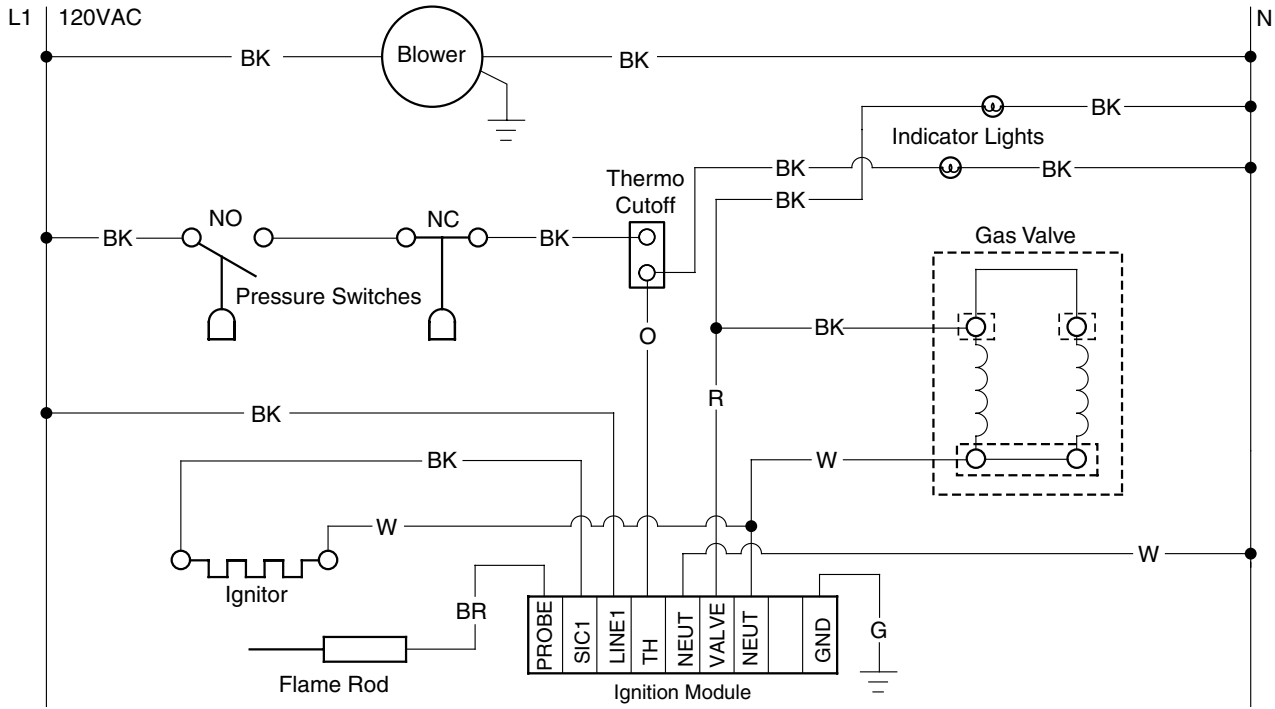


**Before field wiring this appliance - Check existing wiring; replace if necessary.**

**NOTE:** If any of the original wire supplied with the appliance must be replaced, it must be replaced with wiring material having a temperature rating of at least 105° C.

**Figure 3.2 • LS Series Internal Wiring Diagrams**

**A. LS Series Ladder Diagram TP-351A with Thermo Cutoff**



**B. LS Series Block Diagram TP-351A with Thermo Cutoff**

