

WIRING DIAGRAM

DIAGRAM:

LLWT609 AVS2 SERIES

WIRING INFORMATION:

LINE VOLTAGE:

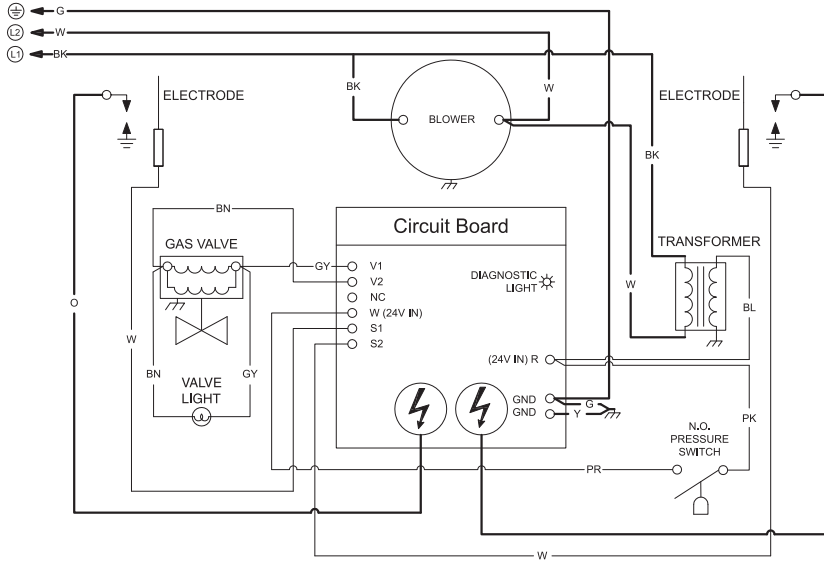
FACTORY STANDARD _____
 FACTORY OPTION _____
 FIELD INSTALLED _____

LOW VOLTAGE:

FACTORY STANDARD _____
 FACTORY OPTION _____
 FIELD INSTALLED _____

NOTES:

IF ANY OF THE ORIGINAL WIRE AS SUPPLIED WITH THE APPLIANCE MUST BE REPLACED, IT MUST BE REPLACED WITH WIRING MATERIAL HAVING THE RATING OF AT LEAST 600V 105°C



COMPONENT CODES

⊕ EARTH GROUND	TRANSFORMER	PRESSURE SWITCH
CHASSIS GROUND	BLOWER MOTOR	S.P.S.T. RELAY
Ⓛ LINE VOLTAGE	HOT SURFACE IGNITER	INDICATOR LIGHT
Ⓝ NEUTRAL	SPARK IGNITER	GAS VALVE
● WIRE NUT	FLAME SENSOR	QUICK-CONNECT TERM.

WIRING COLORS:

BKBLACK
 BNBROWN
 RRED
 OORANGE
 YYELLOW
 GGREEN
 BLBLUE
 PRPURPLE
 WWHITE
 GYGRAY

VOLTAGE:

120VAC

FREQUENCY:

60Hz

PHASE:

SINGLE

REVISION:

1

LITERATURE NUMBER:

LLWT609-3M-01/17 (CDS)