

WIRING DIAGRAM

DIAGRAM:

LLWT382 MP SERIES

WIRING INFORMATION:

LINE VOLTAGE:

FACTORY STANDARD _____
FACTORY OPTION _____
FIELD INSTALLED _____

LOW VOLTAGE:

FACTORY STANDARD _____
FACTORY OPTION _____
FIELD INSTALLED _____

NOTES:

IF ANY OF THE ORIGINAL WIRE AS SUPPLIED WITH THE APPLIANCE MUST BE REPLACED, IT MUST BE REPLACED WITH WIRING MATERIAL HAVING THE RATING OF AT LEAST 600V 105°C

VOLTAGE:

120VAC

FREQUENCY:

60Hz

PHASE:

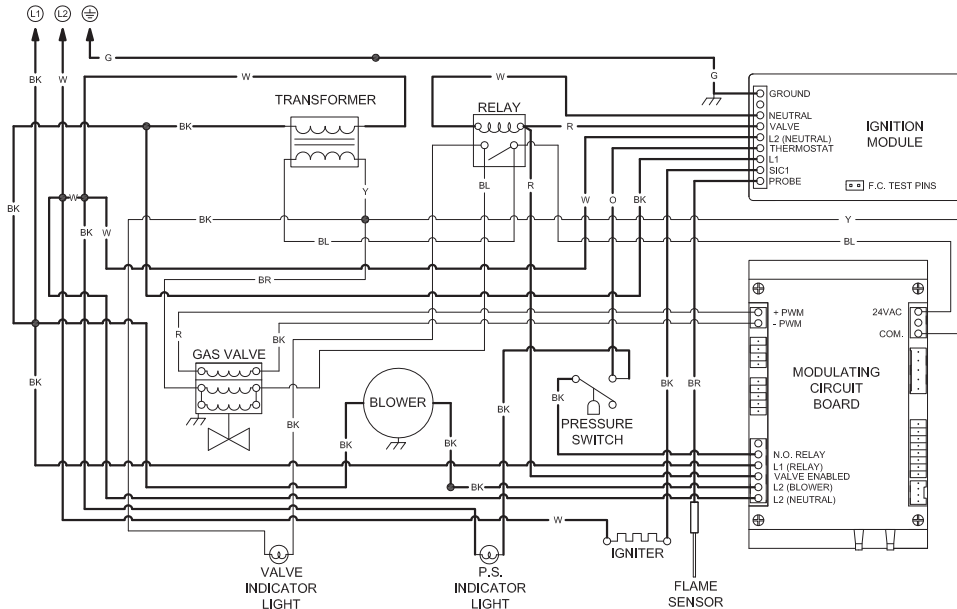
SINGLE

REVISION:

3

LITERATURE NUMBER:

LLWT382-1M-05/16 (CDS)



COMPONENT CODES

⊕	EARTH GROUND		TRANSFORMER		PRESSURE SWITCH
⏏	CHASSIS GROUND		BLOWER MOTOR		S.P.S.T. RELAY
Ⓛ	LINE VOLTAGE		HOT SURFACE IGNITER		INDICATOR LIGHT
Ⓝ	NEUTRAL		SPARK IGNITER		GAS VALVE
●	WIRE NUT		FLAME SENSOR		QUICK-CONNECT TERM.

WIRING COLORS:

BK.....BLACK
BN.....BROWN
R.....RED
O.....ORANGE
Y.....YELLOW
G.....GREEN
BL.....BLUE
PR.....PURPLE
W.....WHITE
GY.....GRAY