

WIRING DIAGRAM

DIAGRAM:

LLWT109 LD3 SERIES

WIRING INFORMATION:

LINE VOLTAGE:

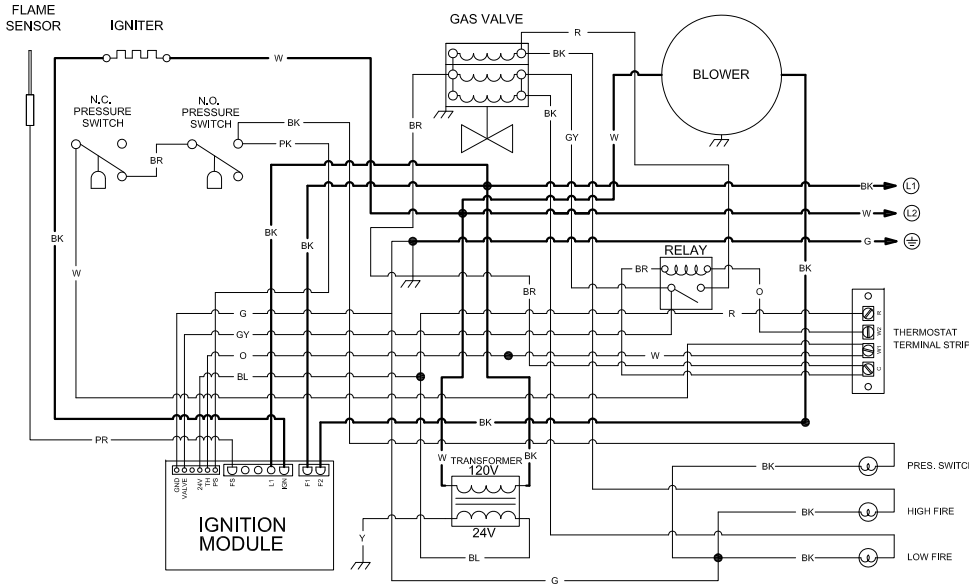
FACTORY STANDARD _____
FACTORY OPTION _____
FIELD INSTALLED _____

LOW VOLTAGE:

FACTORY STANDARD _____
FACTORY OPTION _____
FIELD INSTALLED _____

NOTES:

IF ANY OF THE ORIGINAL WIRE AS SUPPLIED WITH THE APPLIANCE MUST BE REPLACED, IT MUST BE REPLACED WITH WIRING MATERIAL HAVING THE RATING OF AT LEAST 600V 105°C



COMPONENT CODES

| | | |
|----------------|---------------------|---------------------|
| ⊕ EARTH GROUND | TRANSFORMER | PRESSURE SWITCH |
| CHASSIS GROUND | BLOWER MOTOR | S.P.S.T. RELAY |
| Ⓛ LINE VOLTAGE | HOT SURFACE IGNITER | INDICATOR LIGHT |
| Ⓜ NEUTRAL | SPARK IGNITER | GAS VALVE |
| ● WIRE NUT | FLAME SENSOR | QUICK-CONNECT TERM. |

WIRING COLORS:

BK.....BLACK
BN.....BROWN
R.....RED
O.....ORANGE
Y.....YELLOW
G.....GREEN
BL.....BLUE
PR.....PURPLE
W.....WHITE
GY.....GRAY

VOLTAGE:

120VAC

FREQUENCY:

60Hz

PHASE:

SINGLE

REVISION:

2

LITERATURE NUMBER:

LLWT 109-1M-10/13 (CDS)